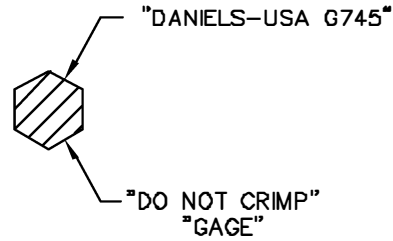
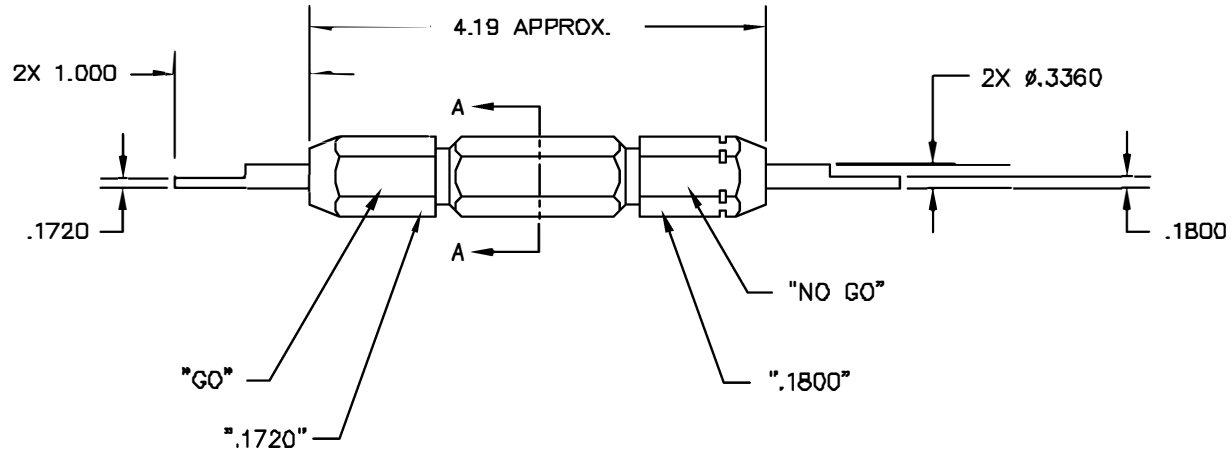



REVISIONS				
REV. SYM.	E.C.D. NUMBER	DESCRIPTION	BY DATE	APP'D DATE
1		ORIGINAL RELEASE	JWH 3/28/02	RRR 3/28/02



SECTION A-A



**UNCONTROLLED DOCUMENT
WILL NOT BE UPDATED**

<p>RESTRICTED & CONFIDENTIAL</p> <p>CONFIDENTIAL PROPERTY OF DANIELS MANUFACTURING CORP. NOT TO BE DISCLOSED TO OTHERS, REPRODUCED OR USED FOR ANY OTHER PURPOSE, EXCEPT AS AUTHORIZED IN WRITING BY DANIELS MANUFACTURING. MUST BE RETURNED TO DANIELS MANUFACTURING CORP. ON COMPLETION OF ORDER OR OTHER PURPOSE FOR WHICH LENT.</p>	<p>MATERIAL</p> <hr/> <p>HEAT TREAT</p> <hr/> <p>FINISH</p>	ITEM	PART NO.	QTY.	DESCRIPTION/REMARKS	
		DRN: J. JOYCE	DATE: 3/28/02	 <p>DANIELS MANUFACTURING CORP. ORLANDO, FLORIDA CAGE 11851</p>		
		CHK'D: RRR	DATE: 3/28/02			
		APP'D:	DATE:	<p>TITLE: GO/NO-GO GAGE ENVELOPE DRAWING</p>		
DO NOT SCALE DRAWING		SIZE: B	SCALE: NTS	CAD P/N: G745-ENV	SHEET 1 OF 1	
		POSTING:	P/N: G745-ENV	REV: 1		