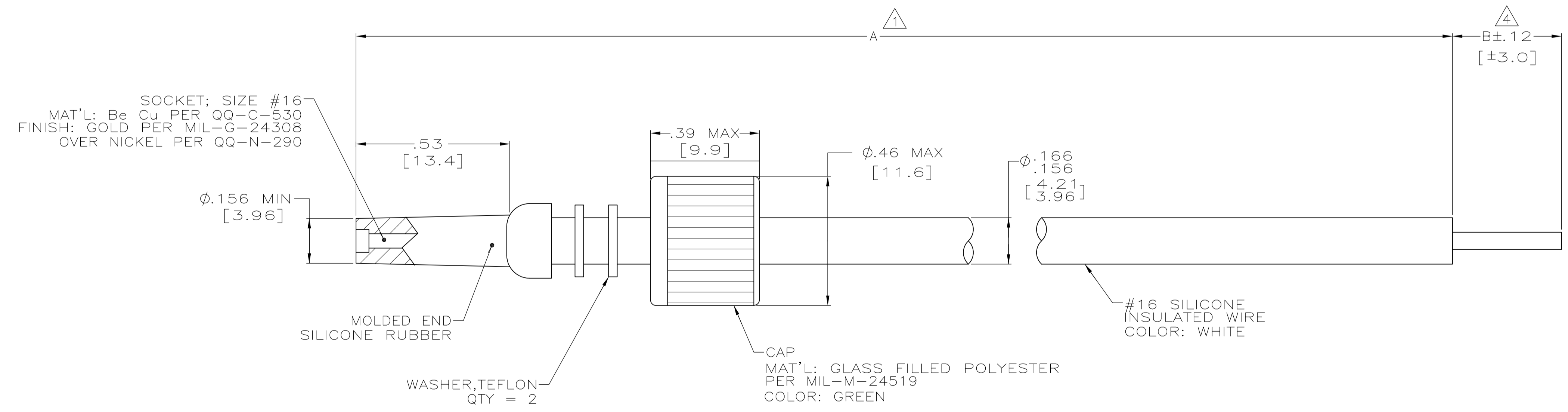


PART NO.	A	B
830611-1	24.00 [609.6]	.25 [6.4]
830611-2	12.00 [304.8]	.25 [6.4]
830611-3	6.00 [152.4]	.25 [6.4]
830611-4	9.00 [228.6]	.25 [6.4]
830611-5	72.00 [1828.8]	.25 [6.4]
830611-6	25.50 [647.7]	.50 [12.7]
830611-7	46.50 [1181.1]	.50 [12.7]
830611-8	4.00 [101.6]	.38 [9.7]
830611-9	30.00 [762.0]	.25 [6.4]
1-830611-0	36.00 [914.4]	.25 [6.4]
1-830611-1	8.00 [203.2]	.25 [6.4]
1-830611-2	6.50 [165.1]	.38 [9.7]
1-830611-3	16.00 [406.4]	.38 [9.7]
1-830611-4	60.00 [1524.0]	.38 [9.7]
1-830611-5	20.00 [508.0]	-
1-830611-6	5.00 [127.0]	.38 [9.7]
1-830611-7	96.00 [2438.4]	.38 [9.7]
1-830611-8	10.00 [254.0]	.38 [9.7]
1-830611-9	21.00 [533.4]	.38 [9.7]
2-830611-0	40.00 [1016.0]	.38 [9.7]
2-830611-1	6.00 [152.4]	.38 [9.7]
2-830611-2	1200.00 [304800.0]	-
2-830611-3	48.00 [1219.2]	.38 [9.7]
2-830611-4	7.00 [177.8]	.38 [9.7]
2-830611-5	18.00 [457.2]	.38 [9.7]
2-830611-6	11.00 [279.4]	.25 [6.4]
2-830611-7	3.00 [76.2]	.38 [9.7]
2-830611-8	9.00 [228.6]	.38 [9.7]
2-830611-9	15.00 [381.0]	.25 [6.4]
3-830611-0	3.62 [91.9]	.38 [9.7]
3-830611-1	8.62 [218.9]	.38 [9.7]
3-830611-2	15.62 [396.7]	.38 [9.7]
3-830611-3	6.12 [155.4]	.38 [9.7]
3-830611-4	23.62 [599.9]	.38 [9.7]
3-830611-5	14.00 [355.6]	.38 [9.7]
3-830611-6	11.50 [292.1]	.25 [6.4]
3-830611-7	78.00 [1981.2]	.38 [9.7]
3-830611-8	39.38 [1000.2]	.25 [6.4]
3-830611-9	80.00 [2032.0]	.38 [9.7]
4-830611-0	19.00 [482.6]	.38 [9.7]
4-830611-1	5.00 [127.0]	-
4-830611-2	15.50 [393.7]	.50 [12.7]
4-830611-3	8.12 [206.2]	.50 [12.7]
4-830611-4	32.00 [812.8]	.38 [9.7]
4-830611-5	28.00 [711.2]	.38 [9.7]
4-830611-6	15.75 [400.1]	-
4-830611-7	11.81 [300.0]	.38 [9.7]
4-830611-8	12.00 [304.8]	.38 [9.7]
4-830611-9	44.00 [1117.6]	.38 [9.7]
5-830611-0	52.00 [1320.8]	.38 [9.7]

PART NO.	A	B
5-830611-1	120.00 [3048.0]	.38 [9.7]
5-830611-2	20.00 [508.0]	.50 [12.7]
5-830611-3	37.00 [939.8]	.50 [12.7]
5-830611-4	6.50 [165.1]	.25 [6.4]
5-830611-5	10.00 [254.0]	.25 [6.4]
5-830611-6	9.50 [241.3]	.25 [6.4]
5-830611-7	4.00 [101.6]	.25 [6.4]
5-830611-8	6.50 [165.1]	.25 [6.4]
5-830611-9	10.75 [273.1]	.25 [6.4]
6-830611-0	9.75 [247.7]	.25 [6.4]
6-830611-1	4.50 [114.3]	.25 [6.4]
6-830611-2	31.00 [787.4]	.25 [6.4]
6-830611-3	38.00 [965.2]	.25 [6.4]
6-830611-4	12.00 [304.8]	-
6-830611-5	26.00 [660.4]	.38 [9.7]
6-830611-6	13.00 [330.2]	.38 [9.7]
6-830611-7	260.00 [6604.0]	.38 [9.7]
6-830611-8	5.50 [139.7]	.38 [9.7]
6-830611-9	180.00 [4572.0]	.38 [9.7]
7-830611-0	17.00 [431.8]	.38 [9.7]
7-830611-1	15.00 [381.0]	.38 [9.7]
7-830611-2	6.44 [163.6]	.38 [9.7]
7-830611-3	25.00 [635.0]	.38 [9.7]
7-830611-4	108.00 [2743.2]	.38 [9.7]
7-830611-5	132.0 [3352.8]	.38 [9.7]
7-830611-6	156.00 [3962.4]	.38 [9.7]
7-830611-7	19.70 [500.4]	.38 [9.7]
7-830611-8	394.00 [10007.6]	.38 [9.7]
7-830611-9	787.50 [20002.5]	.38 [9.7]
8-830611-0	13.25 [336.6]	-
8-830611-1	7.50 [190.5]	.38 [9.7]
8-830611-2	24.00 [609.6]	.38 [9.7]
8-830611-3	62.00 [1574.8]	-
8-830611-4	22.00 [558.8]	.38 [9.7]
8-830611-5	5.00 [127.0]	.50 [12.7]



- TOLERANCE OF LEAD LENGTH:
 UP TO 24 INCHES [609.6] = ±.12 [±3.0]
 24 INCHES [609.6] & UP = ±1%
- MARKED PER MIL-STD-130.
- TO MATE WITH AMP LGH-1/2 RECEPTACLE WITH .53 [13.4] BARREL DEPTH.
- WHERE APPLICABLE "B" STRIP LENGTH IS SOLDER DIPPED.
- OPERATING VOLTAGE: 10 KVDC AT 0 TO 70,000 FEET, -55° C TO 125° C.

THIS DRAWING IS A CONTROLLED DOCUMENT.		DIN C.C.THOMAS 1-15-90	TE Connectivity
DIMENSIONS: INCHES[MM]		CHK: D.FARY 1-16-90	
TOLERANCES UNLESS OTHERWISE SPECIFIED:		APVD: D.FARY 1-16-90	NAME: LEAD ASS'Y, SGL. END, LGH-1/2
0 PLC ± -	1 PLC ± -	PRODUCT SPEC	
2 PLC ± .02 [0.5]	3 PLC ± -	APPLICATION SPEC	
4 PLC ± -	ANGLES ± -	SIZE: A1	CAGE CODE: 00779
MATERIAL: SEE CALLOUTS	FINISH: -	DRAWING NO: 830611	RESTRICTED TO: -
CUSTOMER DRAWING		SCALE: 4:1	SHEET: 1 OF 1