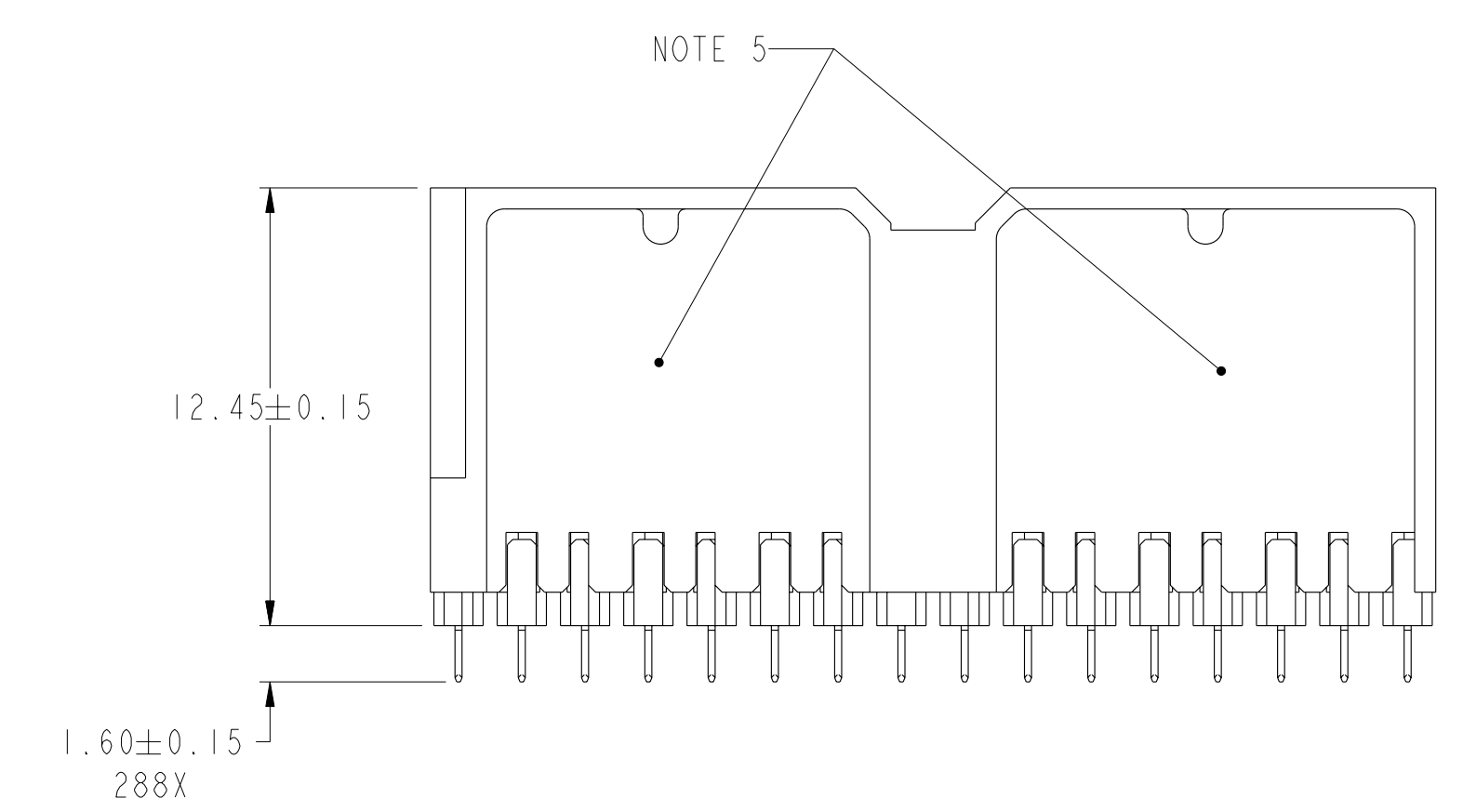
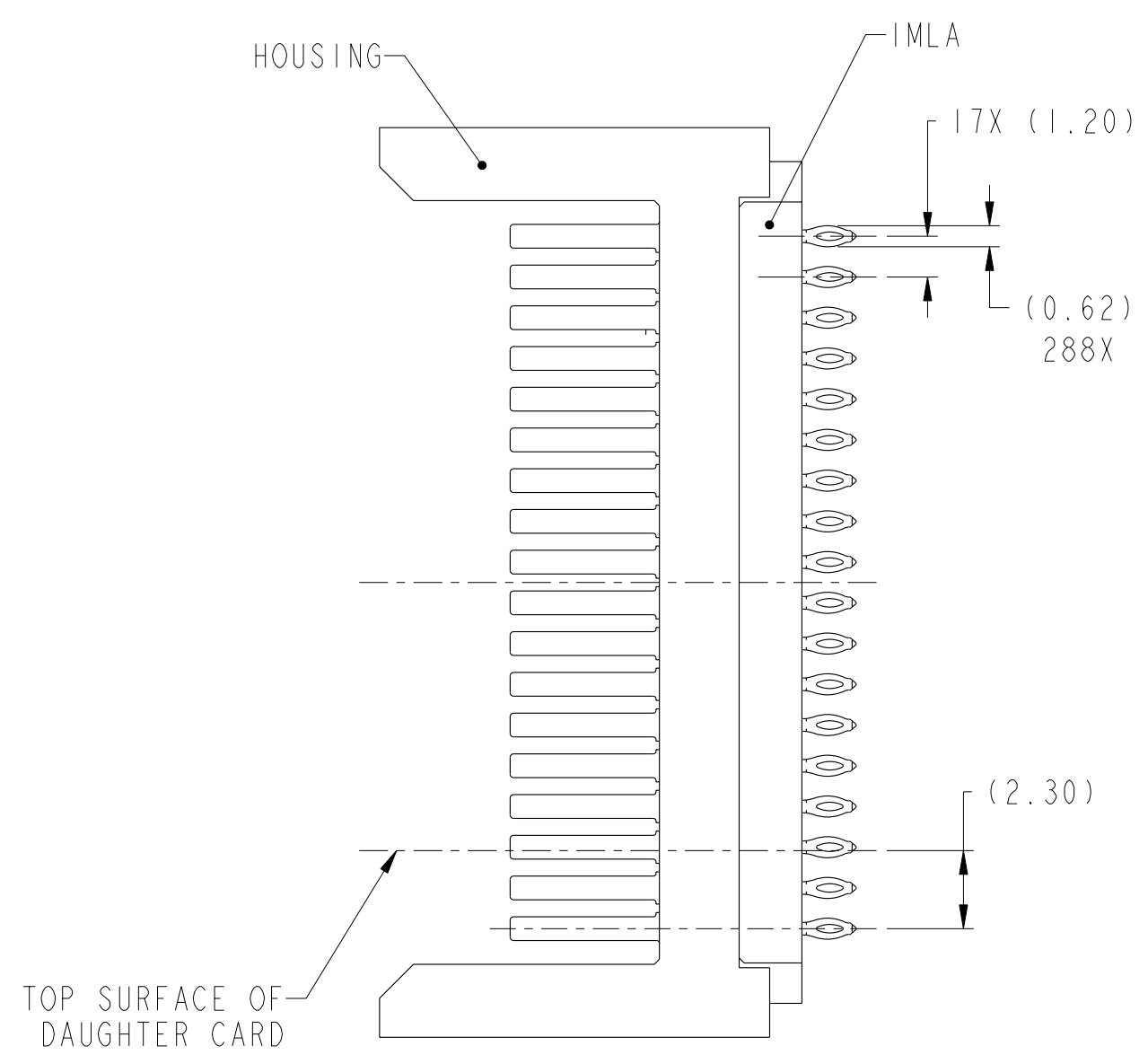
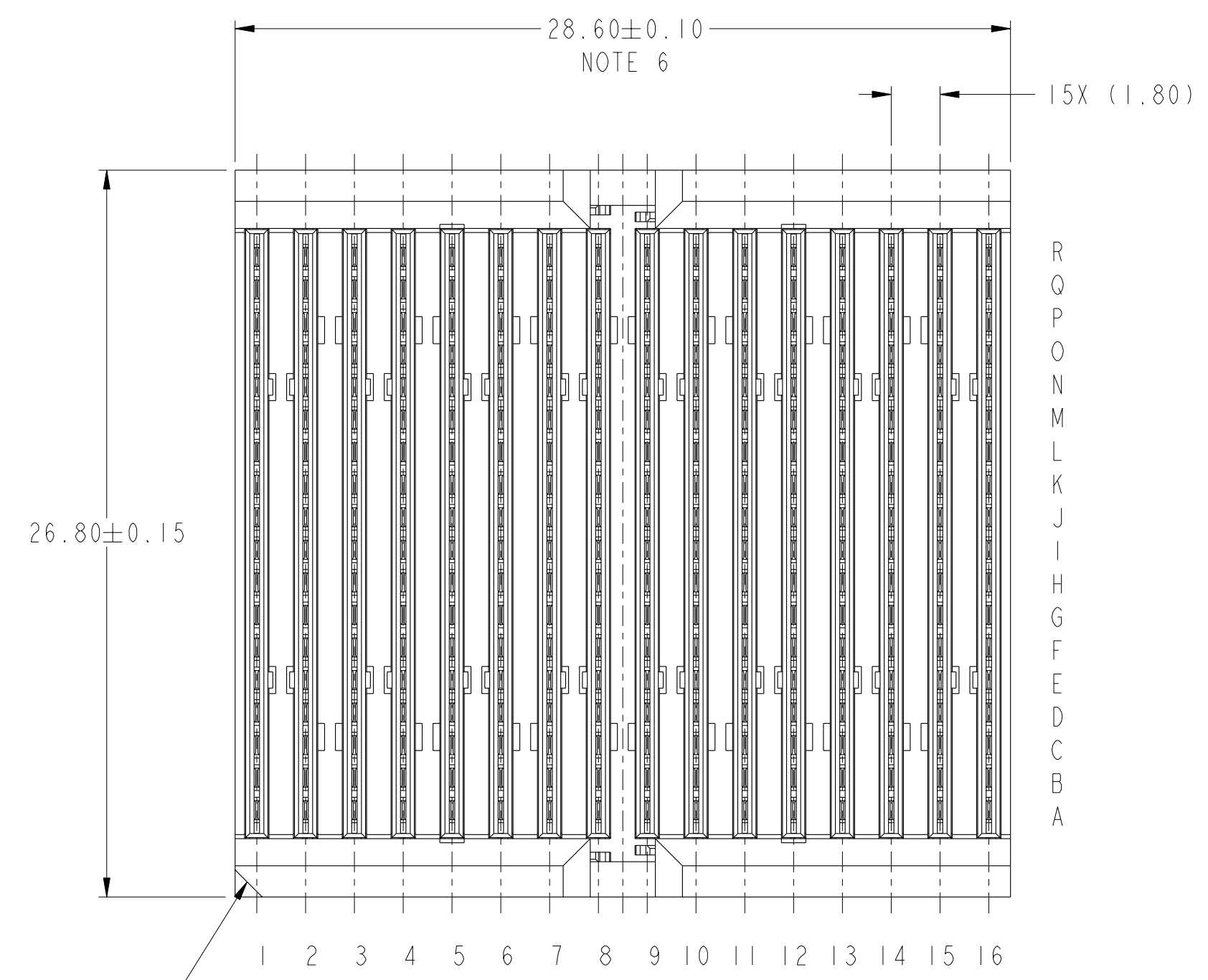


Product number  
SEE TABLE, SHT 3



rev	ecn no	dr	date
A	S09-0291	YK	2009-09-11
-	-	-	-
-	-	-	-
-	-	-	-
-	-	-	-
-	-	-	-

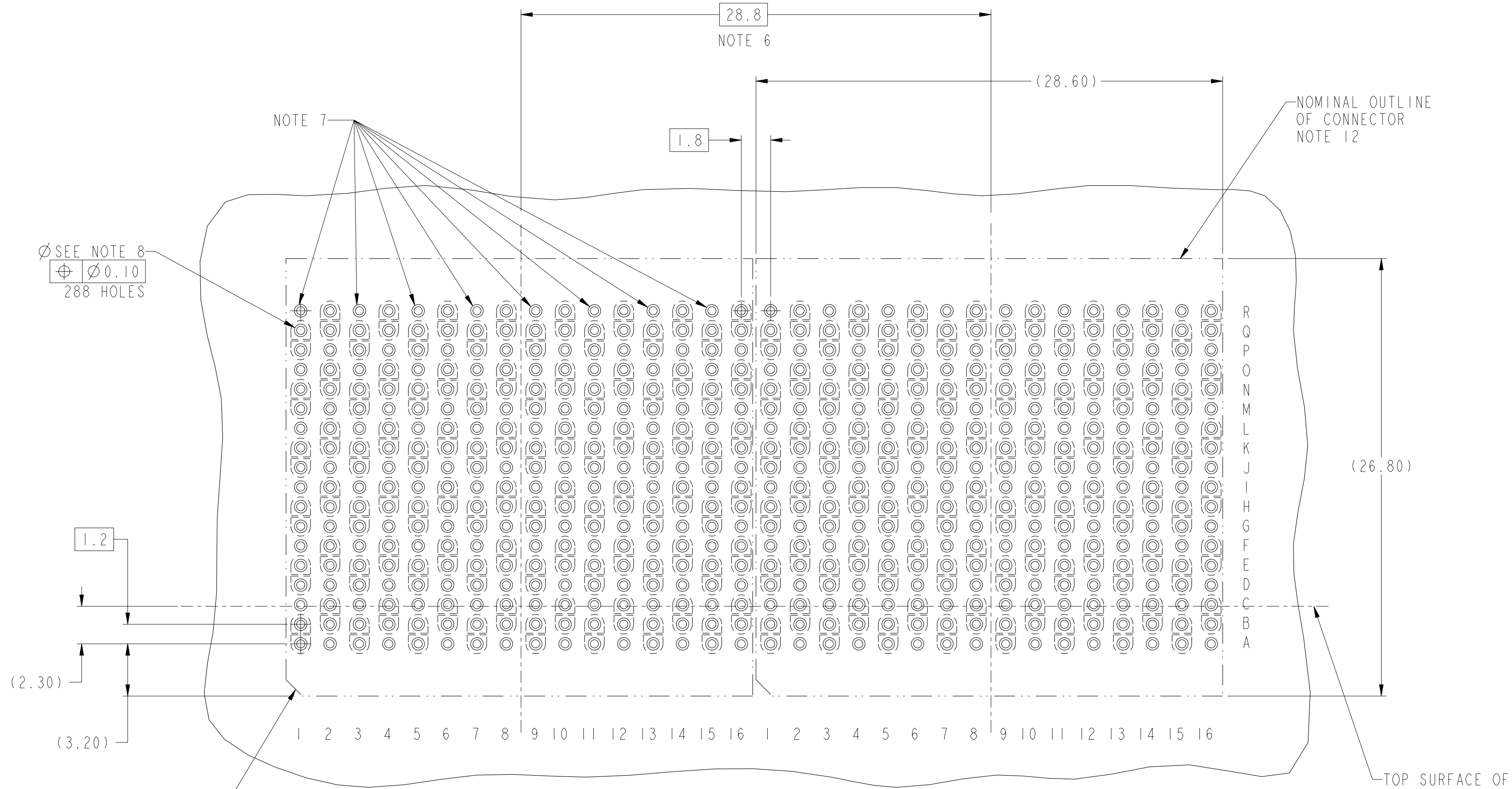
www.fciconnect.com		surface ASME Y14.5	tolerance std ASME Y14.5	projection	MM
TOLERANCES UNLESS OTHERWISE SPECIFIED		0.X	±0.3	size	Scale
Dr	G. HULL	2007-03-02	0.XX	±0.10	A2
Eng	Y. K. LIM	2009-09-11	0.XXX	±0.050	ECN
Chr	Y. K. LIM	2009-09-11	0° ±2°		S09-0291
Appr	JOEY NG	2009-09-11	Product family		ZipLine
Title		ZipLine VERT HEADER ASSY		Spec ref	
6 PR, 16 IMLA, 1.8mm PITCH, 28.8mm		dwg no	10084186		Rev.
catalog no		CUSTOMER		sheet 1 of 3	

Copyright FCI. FCI

1 2 3 4 5 6 7 8

A B C D E F

A B C D E F



RECOMMENDED PCB LAYOUT  
FOR DIFFERENTIAL APPLICATIONS,  
COMPONENT SIDE  
(TWO ADJACENT FOOTPRINTS SHOWN)  
NOTE 8

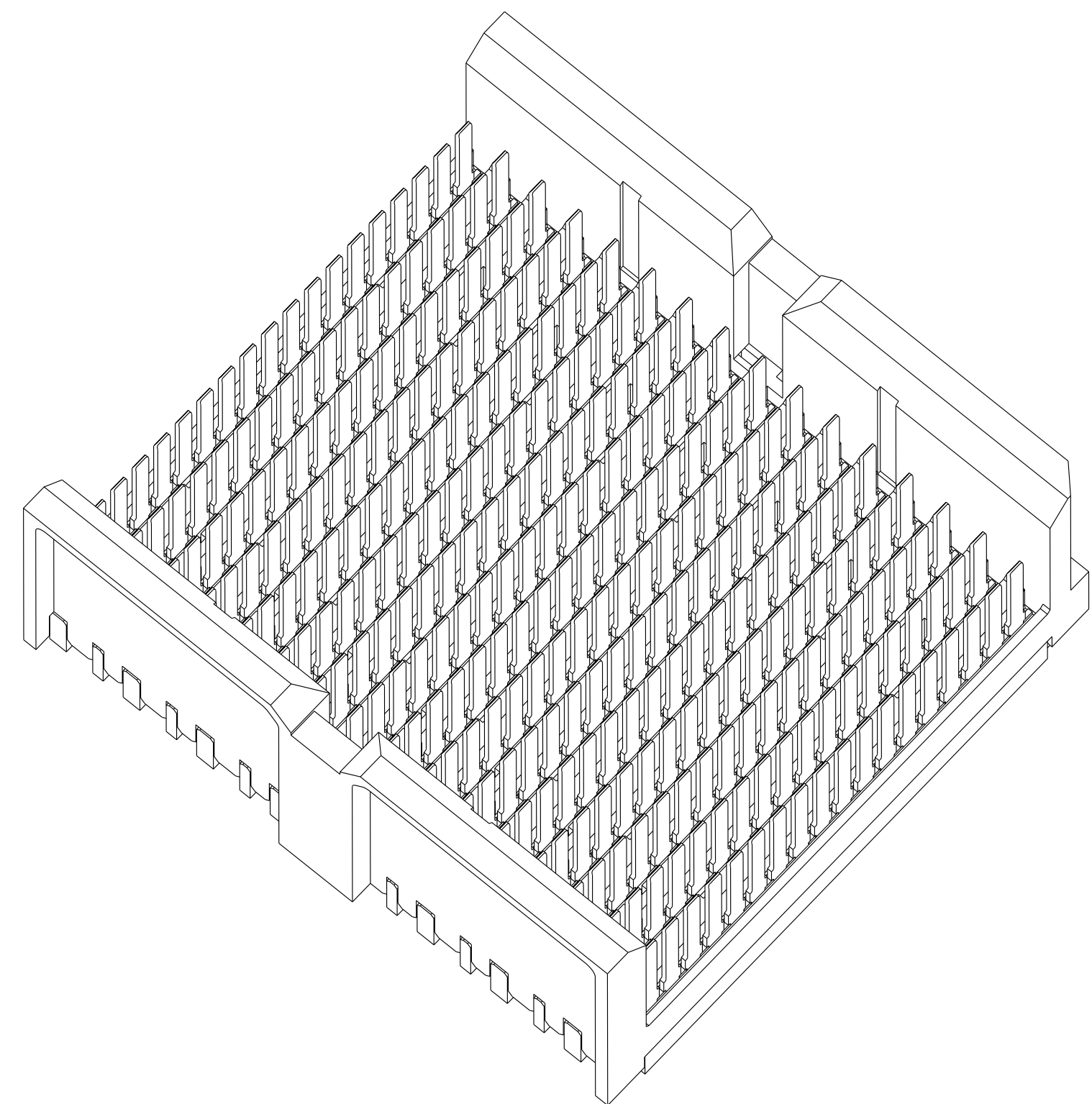
Copyright FCJ

FCJ	title	ZipLine VERT HEADER ASSY	dwg no	10084186	Rev.	A
	catalog no	-		CUSTOMER		sheet 2 of 3

PART NUMBER	PRESS-FIT TAIL PLATING TYPE
10084186-101	TIN LEAD ALLOY OVER NICKEL
10084186-101LF	TIN OVER NICKEL (LEAD FREE)

NOTES:

1. CONNECTOR MATERIALS:  
HOUSING: HIGH TEMP THERMOPLASTIC, BLACK, UL94V-0  
IMLA PLASTIC: HIGH TEMP THERMOPLASTIC, BLACK, UL94V-0  
CONTACT: COPPER ALLOY
2. CONTACT PLATING:  
SEPARABLE INTERFACE: PERFORMANCE-BASED PLATING, QUALIFIED TO MEET THE REQUIREMENTS OF FCI PRODUCT SPECIFICATION GS-12-452 INCLUDING TELCORDIA GR-1217-CORE (NOVEMBER 1995) CENTRAL OFFICE TEST SEQUENCE  
PRESS-FIT TAILS: SEE TABLE
3. PRODUCT SPECIFICATION: GS-12-452.
4. APPLICATION SPECIFICATION: GS-20-094.
5. PRODUCT MARKING, (PART NUMBER & LOT CODE), ON THESE SURFACES.
6. THE MINIMUM CENTERLINE SPACING BETWEEN ADJACENT MODULES IS 28.8mm.
7. THERE IS NO GROUND BUSSING WITHIN THE HEADER CONNECTOR. HOWEVER, POSITIONS R1, R3, R5, R7, R9, R11, R13 & R15 OF THE MATING RECEPTACLE ARE BUSSED. THESE MUST BE ASSIGNED AS GROUNDS.
8. REFER TO CUSTOMER DRAWING 10045979 FOR INFORMATION ON PCB HOLE DIAMETERS AND PLATING OPTIONS.
9. THIS PRODUCT MEETS EUROPEAN UNION DIRECTIVES AND OTHER COUNTRY REGULATIONS AS DESCRIBED IN GS-22-008.
10. THE HOUSING WILL WITHSTAND EXPOSURE TO 260°C PEAK TEMPERATURE FOR 40 SECONDS IN A CONVECTION, INFRA-RED OR VAPOR PHASE REFLOW OVEN.
11. PACKAGING MEETS GS-14-920 LEAD FREE LABELING SPECIFICATION.
12. CONNECTOR OUTLINE WITH HOUSING POS A1 INDICATOR MAY BE SCREEN PRINTED ONTO CUSTOMER PCB TO BE USED AS A GUIDE FOR MANUAL CONNECTOR PLACEMENT.



10084186-101

<b>FCJ</b>	title	ZipLine VERT HEADER ASSY	dwg no	10084186	Rev.	A
	catalog no	6 PR, 16 IMLA, 1.8mm PITCH, 28.8mm	CUSTOMER	sheet 3 of 3		