

4

3

2

1

THIS DRAWING IS UNPUBLISHED.

RELEASED FOR PUBLICATION

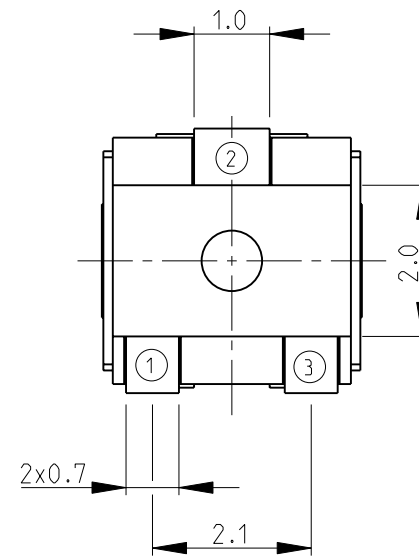
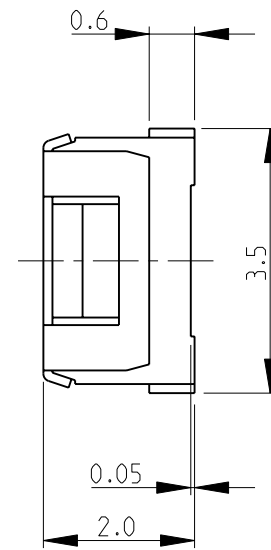
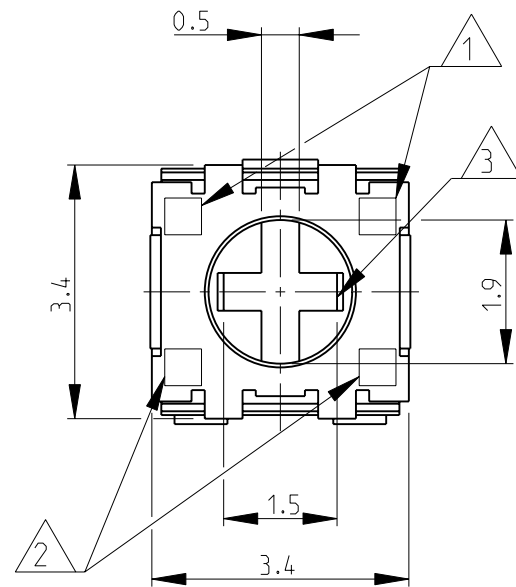
2008

© COPYRIGHT 2008 BY -

ALL RIGHTS RESERVED.

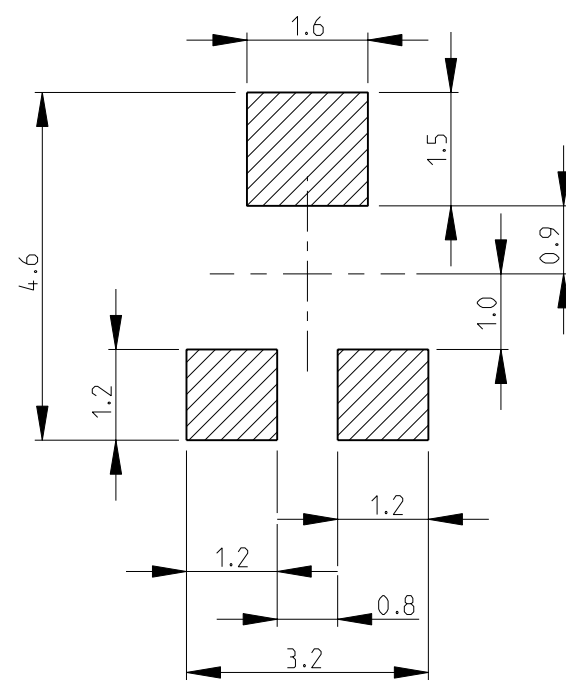
LOC	DIST	REVISIONS				
P	LTR	DESCRIPTION	DATE	DWN	APVD	
E	B	BA1	REVISED PER ECO-11-005150	29MAR2011	RK	HMR

- 1 DATE CODE
- 2 RESISTANCE CODE 2 DIGITS
- 3 CROSS SLOT FOR "0" BIT DRIVER, DEPTH: 0.45mm
- 4 FOR FURTHER INFORMATION SEE DATA SHEET FOR 3203 SERIES-SMD TRIMMERS

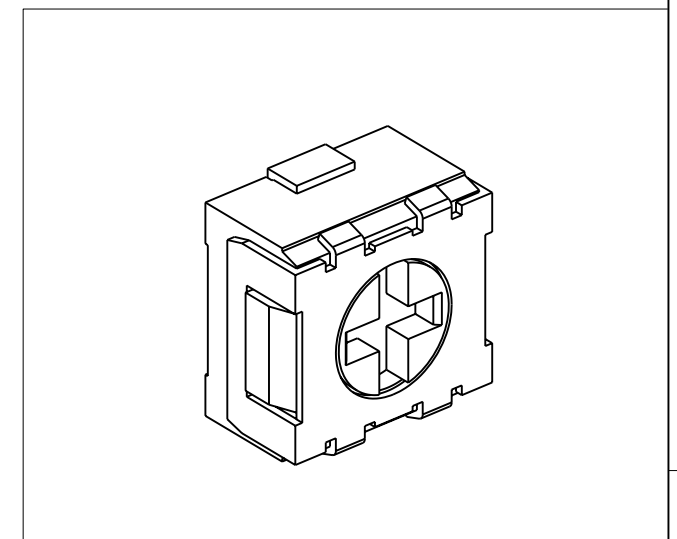
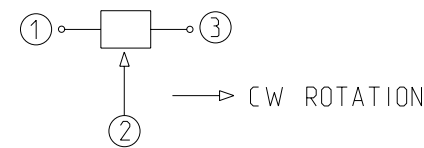



RoHS Compliant

RECOMMENDED LAND PATTERN



CIRCUIT DIAGRAM



THIS DRAWING IS A CONTROLLED DOCUMENT.		DWN	SUBHASH.M	12-NOV-08	 TE Connectivity												
DIMENSIONS: mm		CHK	PRAKASH.S	12-NOV-08													
TOLERANCES UNLESS OTHERWISE SPECIFIED:		APVD	STEPHEN.P	12-NOV-08													
<table border="0"> <tr><td>0 PLC</td><td>± 0.2</td></tr> <tr><td>1 PLC</td><td>± 0.1</td></tr> <tr><td>2 PLC</td><td>± -</td></tr> <tr><td>3 PLC</td><td>± -</td></tr> <tr><td>4 PLC</td><td>± -</td></tr> <tr><td>ANGLES</td><td>± 5°</td></tr> </table>		0 PLC	± 0.2	1 PLC		± 0.1	2 PLC	± -	3 PLC	± -	4 PLC	± -	ANGLES	± 5°	PRODUCT SPEC		NAME
0 PLC	± 0.2																
1 PLC	± 0.1																
2 PLC	± -																
3 PLC	± -																
4 PLC	± -																
ANGLES	± 5°																
MATERIAL -		FINISH -		APPLICATION SPEC	-												
		WEIGHT	-		SIZE	A3											
		CUSTOMER DRAWING		SCALE	10:1												
				SHEET	1 OF 1												
				RESTRICTED TO	-												
				REV	BA1												