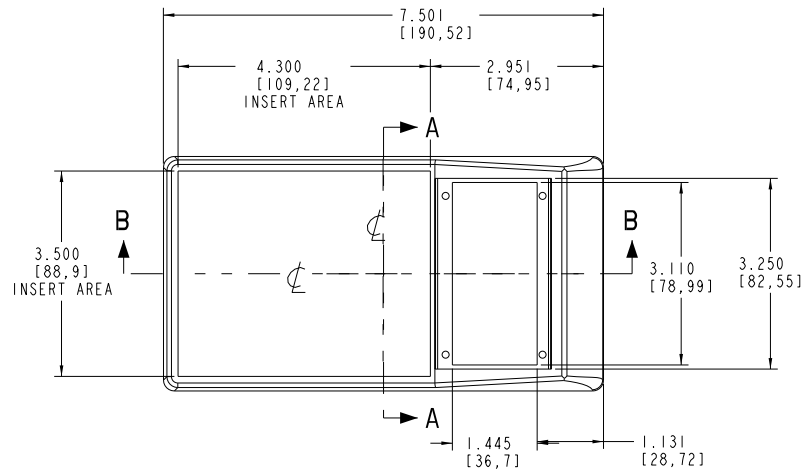
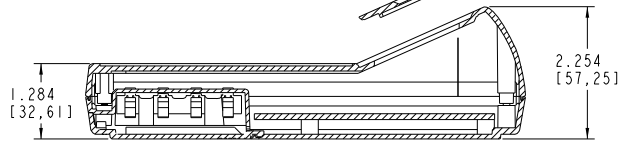


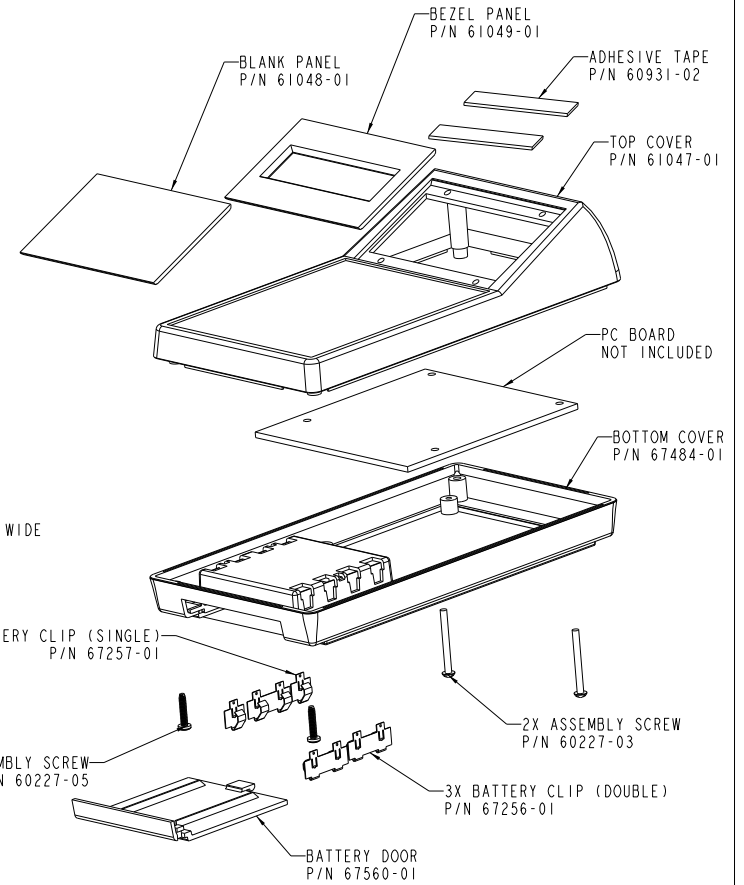
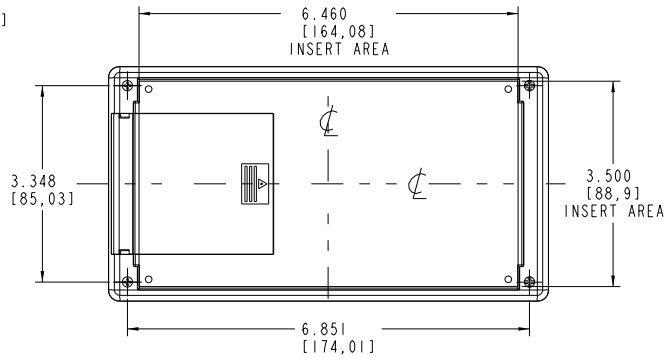
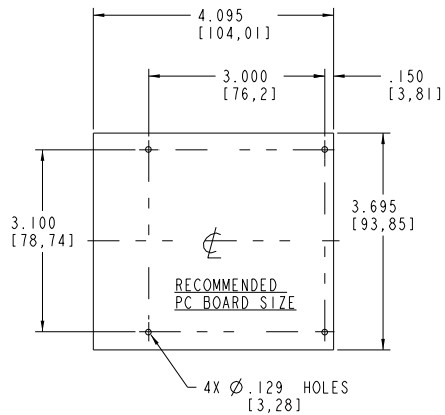
SECTION A-A



PANEL SIZE (TYP.)
3.240 LG. X 2.136 WIDE
[82.30] [54.25]



SECTION B-B



PACINTEC®
1-610-361-4200

HPLS-4AA

VISIT **PACINTEC®**
ON THE WORLD WIDE WEB
www.pactecenclosures.com

COLOR / MATERIAL CODE	
COLOR	94HB 94VO
BLACK	000 028
P.C. BONE	039 060

DRAWING NUMBER	REV
69442	B