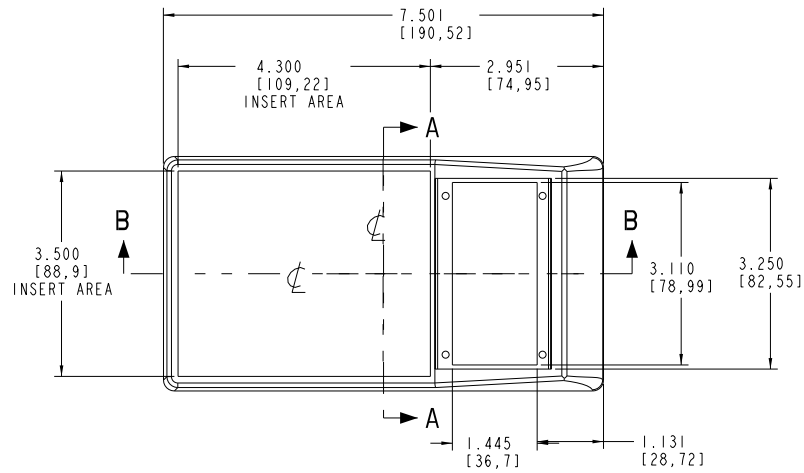
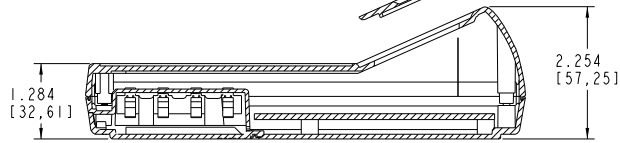


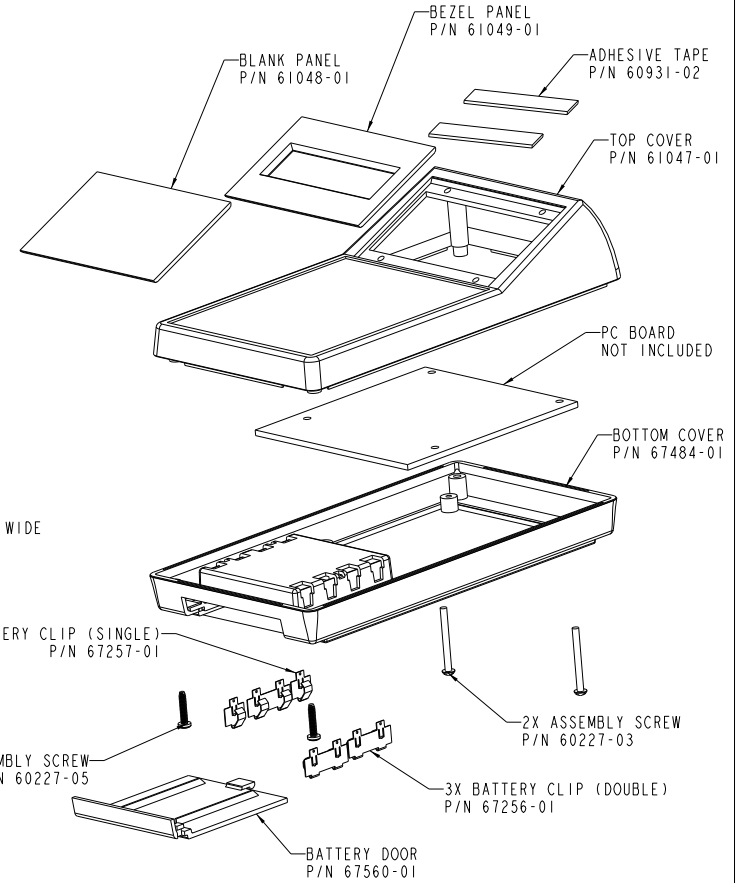
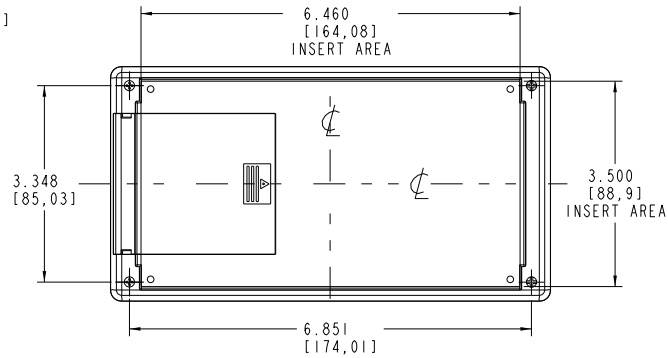
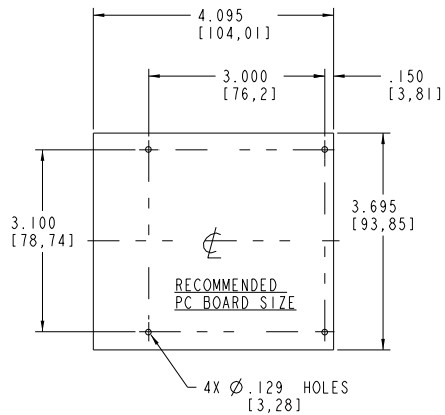
SECTION A-A



PANEL SIZE (TYP.)  
3.240 LG. X 2.136 WIDE  
[82.30] [54.25]



SECTION B-B



**PACINTEC®**  
1-610-361-4200

**HPLS-4AA**

VISIT **PACINTEC®**  
ON THE WORLD WIDE WEB  
[www.pactecenclosures.com](http://www.pactecenclosures.com)

COLOR / MATERIAL CODE	
COLOR	94HB 94VO
BLACK	000 028
P.C. BONE	039 060

DRAWING NUMBER	REV
69442	B