



opulent
americas

MOD BLOCK - 2X6 Performance

IP67-Rated Module built with Cree XHP35 LEDs

Primary Applications



High Mast
Streetlight
Stadium
Architectural

Canopy
Garage
Portable
High bay

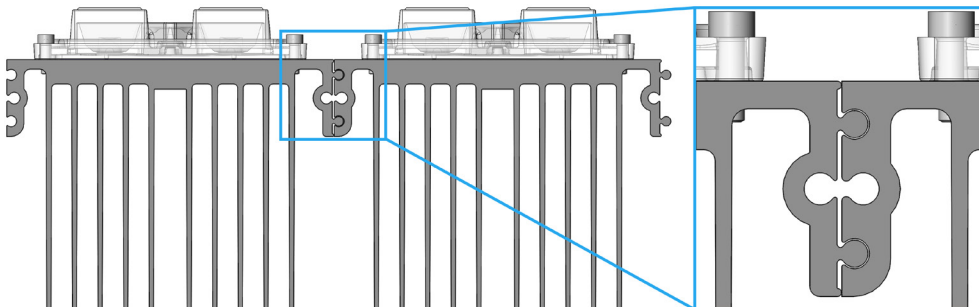


Features and Benefits

- IP67 Protection – Self-contained module for outdoor applications or other difficult environments
- Optical Flexibility – a variety of off-the-shelf optical patterns are available
- Integrate Further – Easy to add multiple modules through our interlocking technology
- Easy Mounting – designed for quick mounting to a housing or bracket
- Performance – industry leading lumen density and lumens per pound
- Certifications – RoHS compliant
- Custom - private label or design changes available

Introducing the Opulent Americas IP67 rated LED heat sink module using Cree XHP35 Extreme High Power LEDs. This Opulent Americas module is engineered to bring high quality lighting systems to market faster with fewer LEDs, higher reliability, and a lower system cost. This module is a robust, flexible, and versatile building block for any number of lighting systems such as high bay, low bay, parking, and stadium lighting.

Interlocking Technology to Add More Modules



Last Modified: 11/16/17

RoHS 

MOD BLOCK - 2X6 Performance Specifications

Order Code Formatting

| Series | - | Color Temperature | Color Rendering Index | - | Optic ⁽¹⁾ | - | Cable Type | - | Internal Code |
|-------------------------------|---|-------------------|-----------------------|---|----------------------|---|--------------------------|---|---------------|
| MP26T1 -C19 - XHP35 Mod Block | | 27 - 2700K | 70 - 70 CRI | | S | | 1 - Cable Pigtail | | XX |
| | | 30 - 3000K | 80 - 80 CRI | | M | | 2 - Waterproof M15 Cable | | |
| | | 40 - 4000K | 90 - 90 CRI | | W | | | | |
| | | 50 - 5000K | | | WWW | | | | |
| | | 57 - 5700K | | | T2 | | | | |
| | | | | | T3 | | | | |
| | | | | | T4 | | | | |
| | | | | | T5 | | | | |
| | | | | | DWC | | | | |

⁽¹⁾More optical patterns available upon request

*See Page 5 for Photometric Distributions

MOD BLOCK - 2X6 Performance Specifications

Ordering Information

| Part Number | CCT | CRI | Binning | Forward Voltage (V) | Current (mA) | Typical Luminous Flux (lm) | Efficacy Nominal (lm/W) | Watts (W) |
|-------------------|-------|-----|---------|---------------------|--------------|----------------------------|-------------------------|-----------|
| MP26T1-C19-5770-x | 5700K | 70 | 5-Step | 46.1 | 1050 | 7512 | 155 | 48.4 |
| | 5700K | 70 | 5-Step | 46.7 | 1500 | 9856 | 140 | 70.0 |
| | 5700K | 70 | 5-Step | 47.2 | 2100 | 12286 | 124 | 99.2 |
| MP26T1-C19-5070-x | 5000K | 70 | 5-Step | 46.1 | 1050 | 7512 | 155 | 48.4 |
| | 5000K | 70 | 5-Step | 46.7 | 1500 | 9856 | 140 | 70.0 |
| | 5000K | 70 | 5-Step | 47.2 | 2100 | 12286 | 124 | 99.2 |
| MP26T1-C19-4070-x | 4000K | 70 | 5-Step | 46.1 | 1050 | 6980 | 144 | 48.4 |
| | 4000K | 70 | 5-Step | 46.7 | 1500 | 9158 | 130 | 70.0 |
| | 4000K | 70 | 5-Step | 47.2 | 2100 | 11416 | 115 | 99.2 |

Product performance based on 25°C ambient temperature.
All values shown above are typical.

Ratings

| Parameter | Unit | Rating |
|-----------------------|------|------------|
| Operating Temperature | °C | -40 to +40 |
| Weight | G | 1332 |

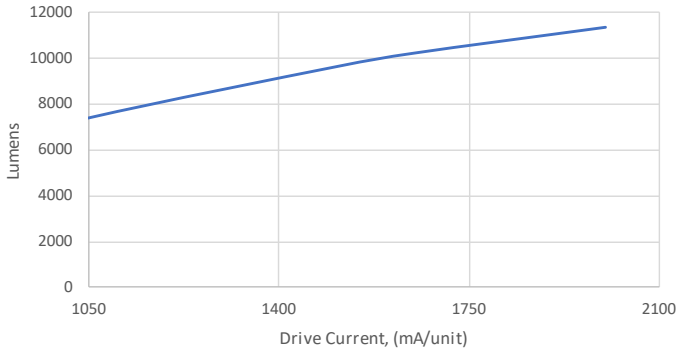
Performance Groups – Chromaticity

| 5-Step Binning | | | | | |
|----------------|--------------|--------|------------|------------|--------------------|
| CCT | Center Point | | Major Axis | Minor Axis | Rotation Angle (°) |
| | X | Y | a | b | |
| 5700K | 0.3287 | 0.3417 | 0.01230 | 0.00600 | 72.0 |
| 5000K | 0.3447 | 0.3553 | 0.01400 | 0.00520 | 65.0 |
| 4000K | 0.3818 | 0.3797 | 0.001420 | 0.00550 | 61.5 |

MOD BLOCK - 2X6 Performance Specifications

Performance Characteristics

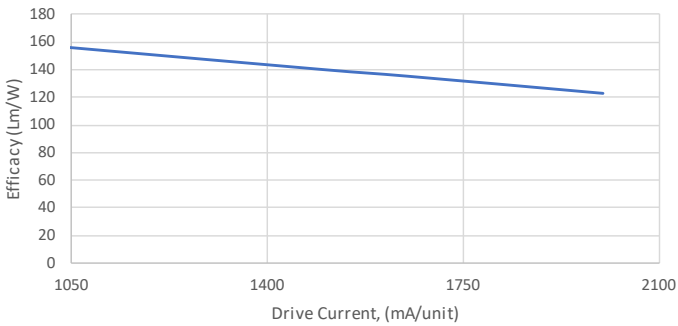
Lumens vs. Drive Current



Tsp vs. Drive Current



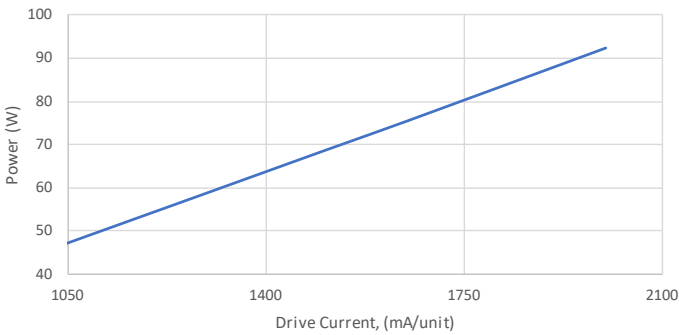
Efficacy vs. Drive Current



Tsp vs. Lumens



Power vs. Drive Current



*Product performance based on 25°C ambient temperature

MOD BLOCK - 2X6 Performance Specifications

Photometric Distributions



S - Spot
High Bay Series



M - Medium
High Bay Series



W - Wide
High Bay Series



WWW - Very Wide
High Bay Series



T2 - IESNA Type II
Roadway Series



T3 - IESNA Type III
Roadway Series



T4 - IESNA Type IV
Roadway Series



T5 - IESNA Type V Square
Roadway Series



DWC - Universal Type III Medium
Roadway Series

MOD BLOCK - 2X6 Performance Specifications

Mechanical Dimensions



Cable Specs:

Cable Length: 20"

Cable OD: .288"

Wire Gauge: 18AWG

Wire Colors: White (+), Black (-)

Wire Voltage Rating: 300V

Wire Temperature Rating: 105°C