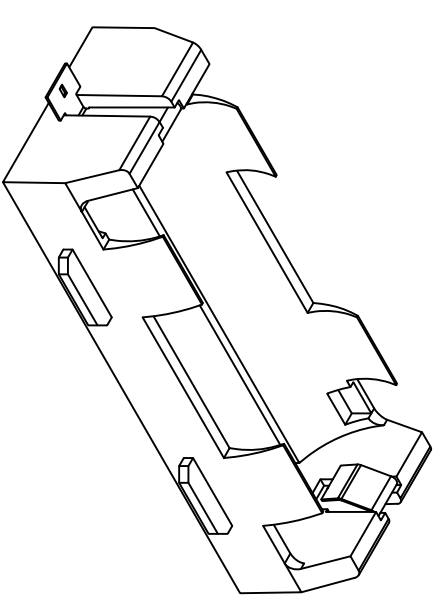
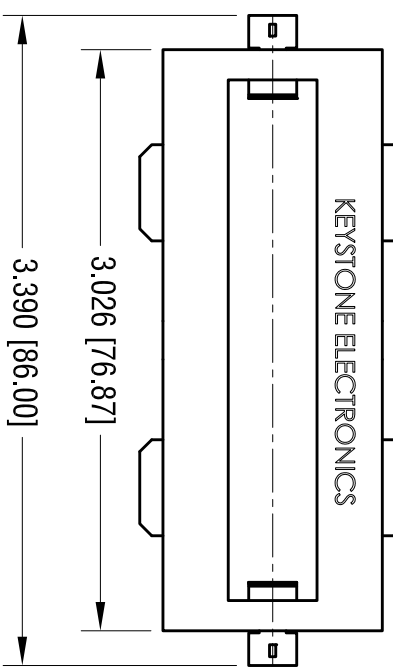
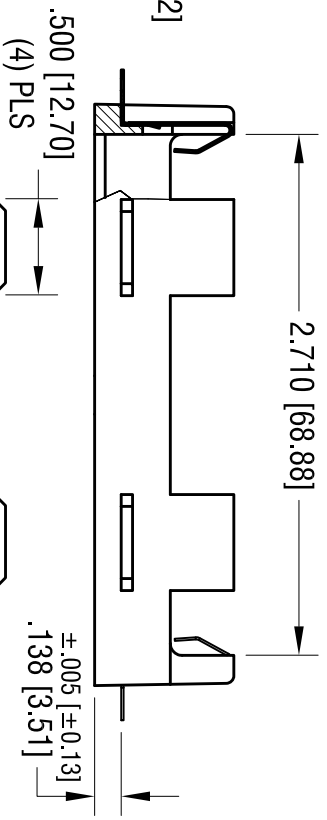
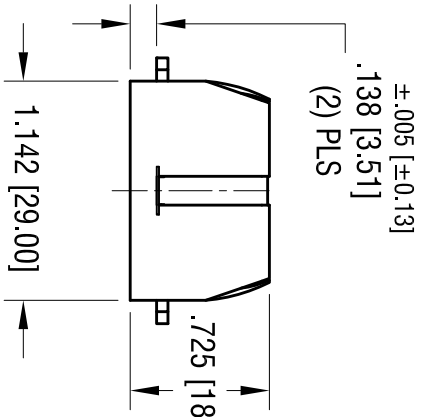
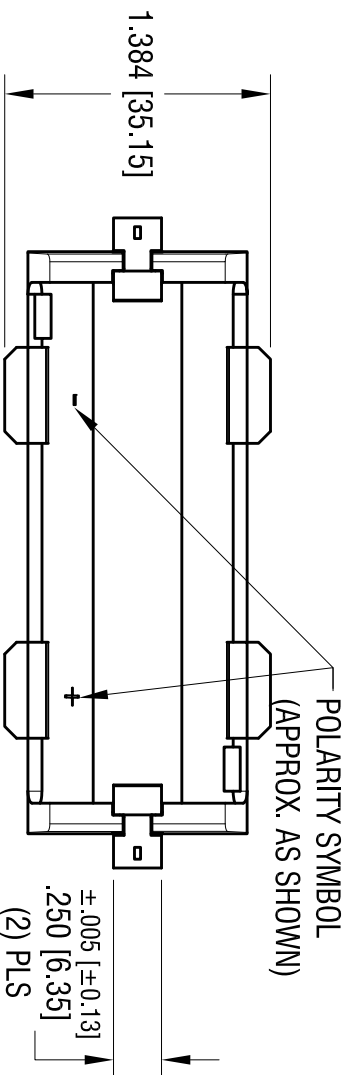


DATE	DESCRIPTION	REV.
9.16.15	CHANGE AS PER ECN 15-097 BASE MAT'L WAS PBT (BLACK)	A



**NOTE:**

1. BASE:  
MAT'L: STANYL (BLACK COLOR)
2. CONTACT:  
MAT'L: .012 THK STAINLESS STEEL  
FINISH: GOLD FLASH, OVER NICKEL PLATE

**KEYSTONE ELECTRONICS CORP.**

www.keystec.com • ASTORIA, N.Y. 11105-2017 • Tel (718) 956-8900

PART NAME: PC BATTERY HOLDER, 26650

MATERIAL: AS NOTED

FINISH: AS NOTED

TOLERANCES	INCH	[MM]	CODE	DWG NO.
DECIMAL	$\pm .010$	[ $\pm 0.25$ ]	C	1106
ANGULAR	$\pm 1^\circ$			

THIS DOCUMENT IS THE PROPERTY OF KEYSTONE ELECTRONICS CORP. AND SHALL NOT BE REPRODUCED, DISTRIBUTED OR USED AS A BASIS FOR MANUFACTURE WITHOUT PRIOR WRITTEN PERMISSION FROM KEYSTONE ELECTRONICS CORP.

DRN BY	DATE
NT	11.07.14

App'D: LN SCALE: 1X