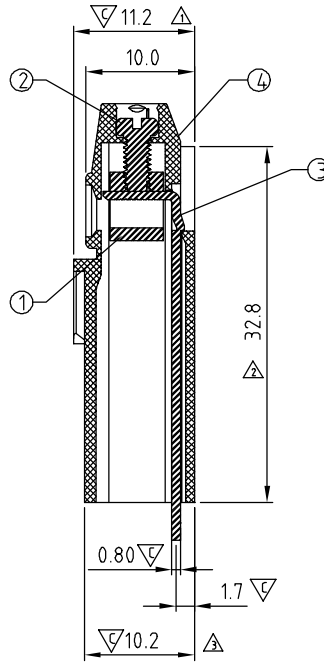
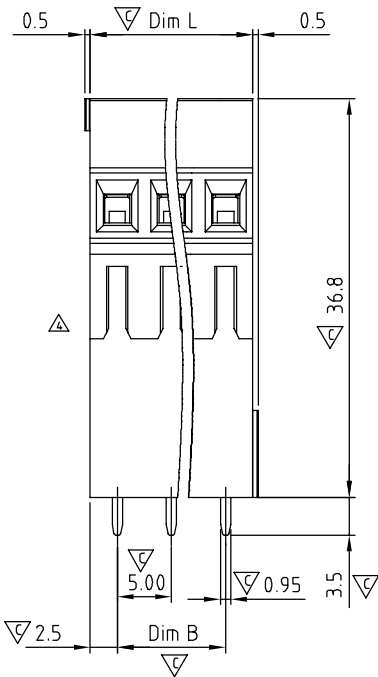
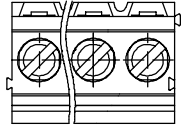


Dimension L&B

| | |
|-------|------------|
| DIM L | N×5.0 |
| DIM B | (N-1)×5.00 |

N=Number of contacts

| Poles | L&B Tolerance |
|---------|---------------|
| 2P-4P | ±0.15 |
| 5P-8P | ±0.25 |
| 9P-16P | ±0.35 |
| 17P-24P | ±0.40 |



| SIGN | DATE | DESCRIPTION | APPROVER |
|------|----------|--|----------|
| △ | 01/28'01 | Dimension is changed from 11.3mm to 11.2mm | Aaron |
| △ | 01/28'01 | Dimension is changed from 32.5mm to 32.8mm | Aaron |
| △ | 01/28'01 | Dimension is changed from 10.3mm to 10.2mm | Aaron |
| △ | 09/30'11 | Structure changed | ChenMing |

THIS IS CAD DRAWING, DO NOT REVISE MANUALLY!!

Material

- Item ① Clamp : Brass , Ni plated
- Item ② Terminal screw: Steel , Zinc plating "-" slot type
- Item ③ Wire guard solder pin : Brass, Tin plated
- Item ④ Terminal housing : Thermoplastic (UL94V-0)

Electrical UL

- Voltage rating: 300VAC
- Current rating: 10A
- Wire range:
- Solid wire(AWG): 12-24
- Stranded wire(AWG): 12-24
- Torque(Lb-In): 3.5
- Screw: M2.5
- Wire strip length: 6-7mm
- Withstanding Voltage: 1.6KV
- Operating temperature: -40°C to +115°C
- Soldering temperature: 250°C±10°C/5 Sec
- Safety Approval:
- Critical dimension:

YF xx 01 x 0 xxxx G

| | | | |
|----------------|----------------------------------|--|----------------|
| 02 2 CONTACTS | 0 Black | 000 0 Standard @ Logo | Pb < 40,000ppm |
| 03 3 CONTACTS | 5 Green (RAL 6018/T) | 000 A Standard ANY Logo | (RoHS) |
| | | Any special item by customer request, please contact sales department. | |
| 24 24 CONTACTS | 6 Blue 8 Grey (RAL 7035/D) | | |

| | | | | | | | |
|---|-----------------------------------|----------|------------------------|----------------------|-------------|--|------------|
| ANYTEK | | | | CUSTOMER COPY | | | |
| ALL RIGHTS RESERVED. REPRODUCTION OR ISSUE TO THIRD PARTIES IN ANY FORM WHATSOEVER IS NOT PERMITTED WITHOUT WRITTEN AUTHORITY FROM THE PROPRIETOR. PROPERTY OF ANYTEK TECHNOLOGY CO., LTD | | | | | | | |
| TITLE | YF-5.0 mm Series "-" Screw 2P-24P | | | | | | |
| PART NO. | YFxx01x0xxxxG | | | DWG NO. | 8YF0001 | | |
| APPROVED | CHECKED | DESIGNED | DRAWN | CUST NO. | Tolerance | | |
| | | | ChenMing 2011.09.30 | | | | |
| | | | | | UNIT: mm | | X. ±0.50 |
| | | | | | SCALE: NONE | | X.X ±0.30 |
| | | | | SHEET: 01/01 | REV.: D | | X.XX ±0.10 |
| | | | | | | | X° ±1° |