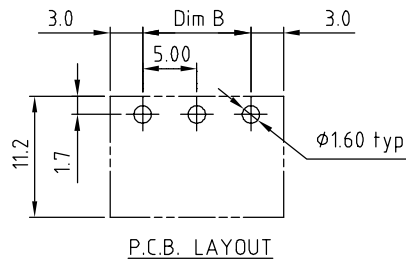
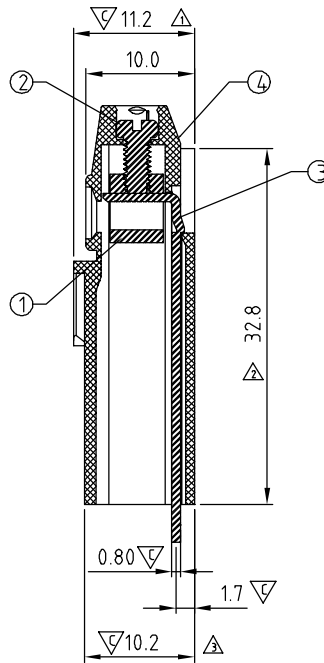
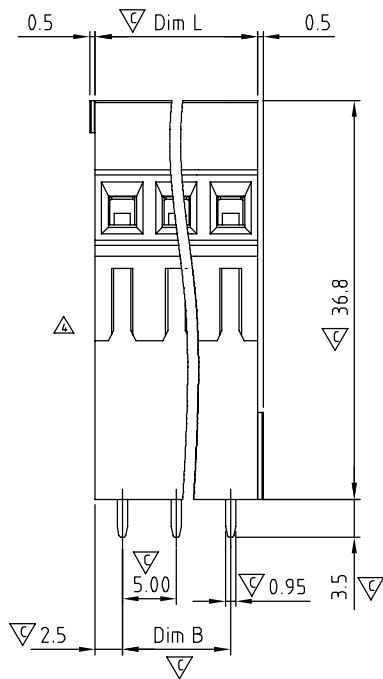
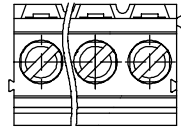


Dimension L&B

DIM L	N×5.0
DIM B	(N-1)×5.00

N=Number of contacts

Poles	L&B Tolerance
2P-4P	±0.15
5P-8P	±0.25
9P-16P	±0.35
17P-24P	±0.40



SIGN	DATE	DESCRIPTION	APPROVER
△	01/28'01	Dimension is changed from 11.3mm to 11.2mm	Aaron
△	01/28'01	Dimension is changed from 32.5mm to 32.8mm	Aaron
△	01/28'01	Dimension is changed from 10.3mm to 10.2mm	Aaron
△	09/30'11	Structure changed	ChenMing

THIS IS CAD DRAWING, DO NOT REVISE MANUALLY!!

Material

- Item ① Clamp : Brass , Ni plated
- Item ② Terminal screw: Steel , Zinc plating "-" slot type
- Item ③ Wire guard solder pin : Brass, Tin plated
- Item ④ Terminal housing : Thermoplastic (UL94V-0)

Electrical UL

- Voltage rating: 300VAC
- Current rating: 10A
- Wire range:
- Solid wire(AWG): 12-24
- Stranded wire(AWG): 12-24
- Torque(Lb-In): 3.5
- Screw: M2.5
- Wire strip length: 6-7mm
- Withstanding Voltage: 1.6KV
- Operating temperature: -40°C to +115°C
- Soldering temperature: 250°C±10°C/5 Sec
- Safety Approval:
- Critical dimension:

YF xx 01 x 0 xxxx G

02 2 CONTACTS	0 Black	000 0 Standard @ Logo	Pb < 40,000ppm
03 3 CONTACTS	5 Green (RAL 6018/T)	000 A Standard ANY Logo	(RoHS)
... ..		Any special item by customer request, please contact sales department.	
24 24 CONTACTS	6 Blue 8 Grey (RAL 7035/D)		

<b>ANYTEK</b>				<b>CUSTOMER COPY</b>			
ALL RIGHTS RESERVED. REPRODUCTION OR ISSUE TO THIRD PARTIES IN ANY FORM WHATSOEVER IS NOT PERMITTED WITHOUT WRITTEN AUTHORITY FROM THE PROPRIETOR. PROPERTY OF ANYTEK TECHNOLOGY CO., LTD							
TITLE		YF-5.0 mm Series "-" Screw 2P-24P					
PART NO.		YFxx01x0xxxxG			DWG NO.		8YF0001
APPROVED		CHECKED	DESIGNED	DRAWN	CUST NO.		Tolerance
				ChenMing 2011.09.30			X. ±0.50 X.X ±0.30 X.XX ±0.10 X° ±1°
						UNIT: mm	
						SCALE: NONE	
				SHEET: 01/01		REV.: D	