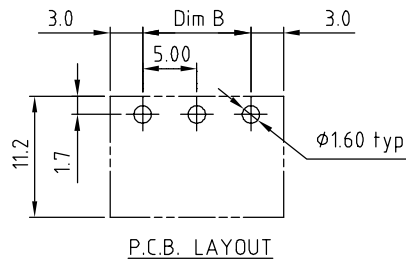
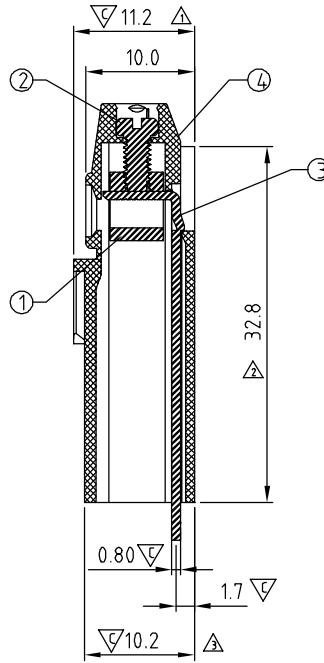
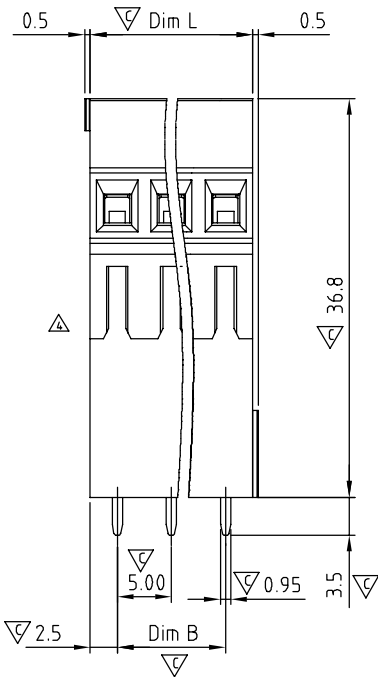
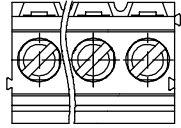


Dimension L&B

DIM L	N×5.0
DIM B	(N-1)×5.00

N=Number of contacts

Poles	L&B Tolerance
2P-4P	±0.15
5P-8P	±0.25
9P-16P	±0.35
17P-24P	±0.40



SIGN	DATE	DESCRIPTION	APPROVER
△	01/28'01	Dimension is changed from 11.3mm to 11.2mm	Aaron
△	01/28'01	Dimension is changed from 32.5mm to 32.8mm	Aaron
△	01/28'01	Dimension is changed from 10.3mm to 10.2mm	Aaron
△	09/30'11	Structure changed	ChenMing

THIS IS CAD DRAWING, DO NOT REVISE MANUALLY!!

Material

- Item ① Clamp : Brass , Ni plated
- Item ② Terminal screw: Steel , Zinc plating "-" slot type
- Item ③ Wire guard solder pin : Brass, Tin plated
- Item ④ Terminal housing : Thermoplastic (UL94V-0)

Electrical UL

- Voltage rating: 300VAC
- Current rating: 10A
- Wire range:
- Solid wire(AWG): 12-24
- Stranded wire(AWG): 12-24
- Torque(Lb-In): 3.5
- Screw: M2.5
- Wire strip length: 6-7mm
- Withstanding Voltage: 1.6KV
- Operating temperature: -40°C to +115°C
- Soldering temperature: 250°C±10°C/5 Sec
- Safety Approval:
- Critical dimension: ▽

YF xx 01 x 0 xxxx G

02 2 CONTACTS	0 Black	000 0 Standard @ Logo	Pb < 40,000ppm
03 3 CONTACTS	5 Green	000 A Standard ANY Logo	(RoHS)
...	...	Any special item by customer request, please contact sales department.	
24 24 CONTACTS	6 Blue		
	8 Grey		
	(RAL 7035/D)		

ANYTEK				CUSTOMER COPY	
ALL RIGHTS RESERVED. REPRODUCTION OR ISSUE TO THIRD PARTIES IN ANY FORM WHATSOEVER IS NOT PERMITTED WITHOUT WRITTEN AUTHORITY FROM THE PROPRIETOR. PROPERTY OF ANYTEK TECHNOLOGY CO., LTD					
TITLE	YF-5.0 mm Series "-" Screw 2P-24P				
PART NO.	YFxx01x0xxxxG	DWG NO.	8YF0001		
APPROVED	CHECKED	DESIGNED	DRAWN	CUST NO.	Tolerance
			ChenMing 2011.09.30		X. ±0.50 X.X ±0.30 X.XX ±0.10 X° ±1°
				UNIT: mm	
				SCALE: NONE	
				SHEET: 01/01	REV.: D