

4

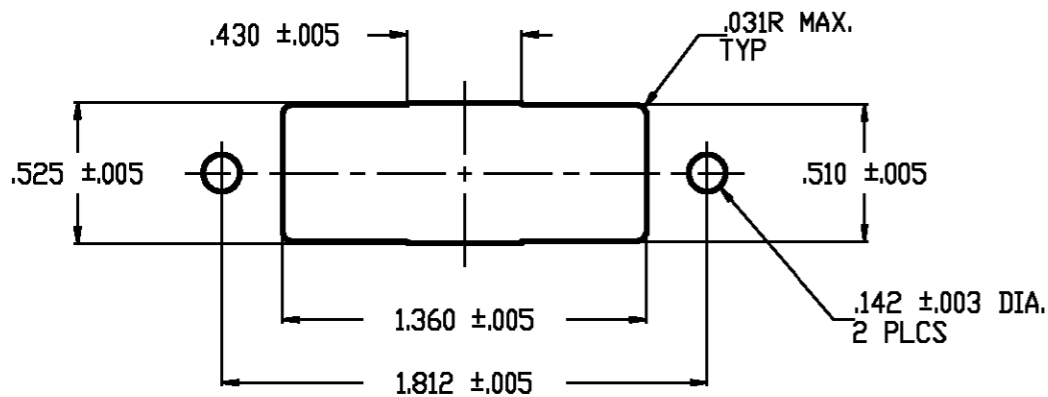
3

2

1

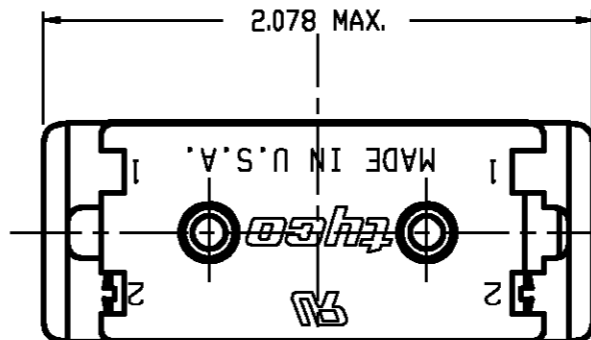
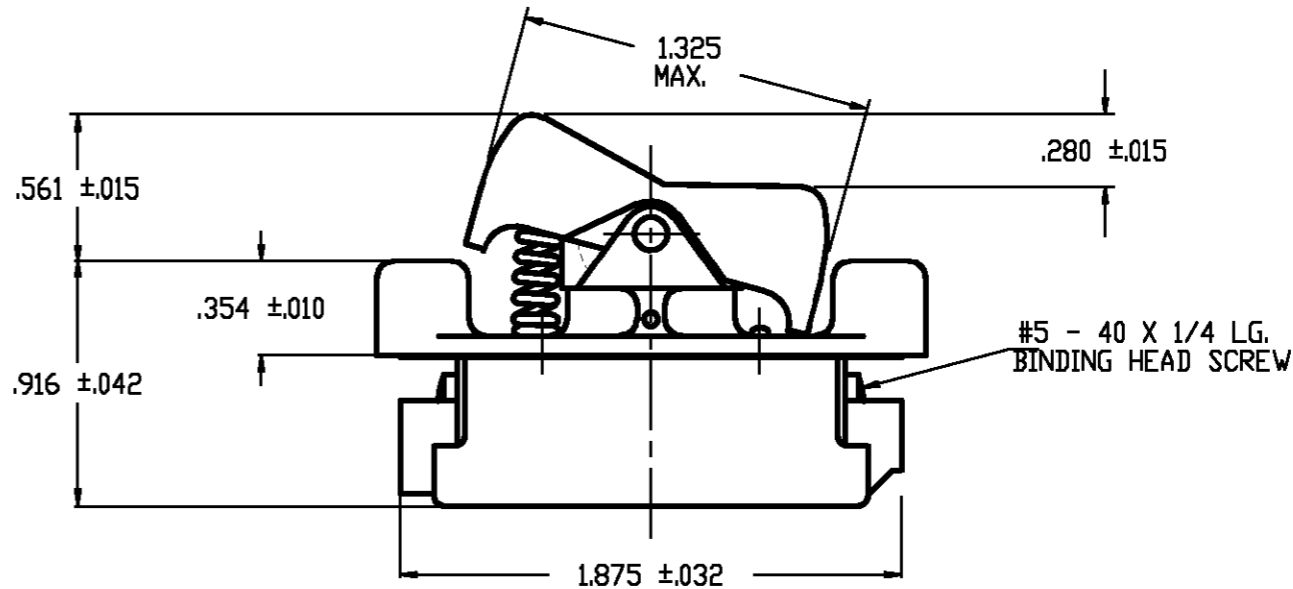
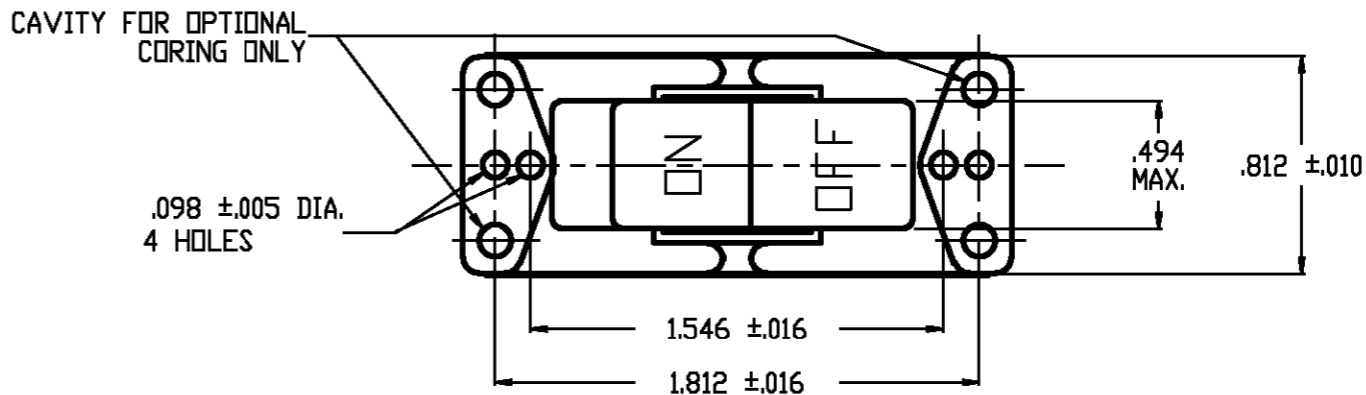
THIS DRAWING IS UNPUBLISHED. RELEASED FOR PUBLICATION
© COPYRIGHT BY TYCO ELECTRONICS CORPORATION. ALL RIGHTS RESERVED.

LOC	DIST	REVISIONS					
AD	00	P	LTR	DESCRIPTION	DATE	DWN	APVD
		A		ECOG3G-0016-01	25MAY01	WL	WBH



PANEL CUTOUT

NOTE:
1. SWITCH RATED AT 8A 250V 16A 125V 1HP 125V.



91-572

TYCO NO. 1520238-9
(ARAB NO. 8909K13)

THIS DRAWING IS A CONTROLLED DOCUMENT.		DWN W. HANSON 12SEP95	Tyco Electronics Corporation Arab, AL 35016	
DIMENSIONS: INCHES		CHK W. Leonard 13SEP95	NAME ALL PLASTIC ROCKER SWITCH	
TOLERANCES UNLESS OTHERWISE SPECIFIED:		APVD M.R. DUMMER 13SEP95	PRODUCT SPEC -	
0 PLC ± -		APPLICATION SPEC -	RESTRICTED TO -	
1 PLC ± -		WEIGHT -	SIZE A3	CAGE CODE 00779
2 PLC ± -		CUSTOMER DRAWING	DRAWING NO 1520238	
3 PLC ± -			SCALE 1:1	
4 PLC ± -		SHEET 4 OF 4		REV A
ANGLES ± -				
FINISH -				

4

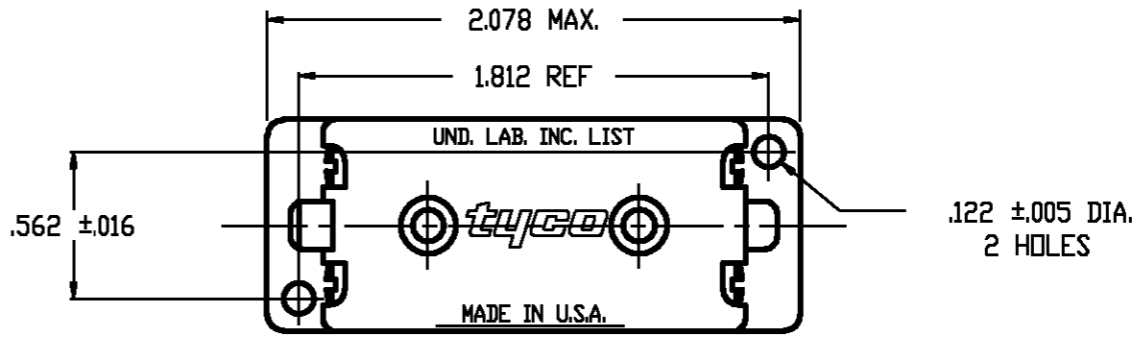
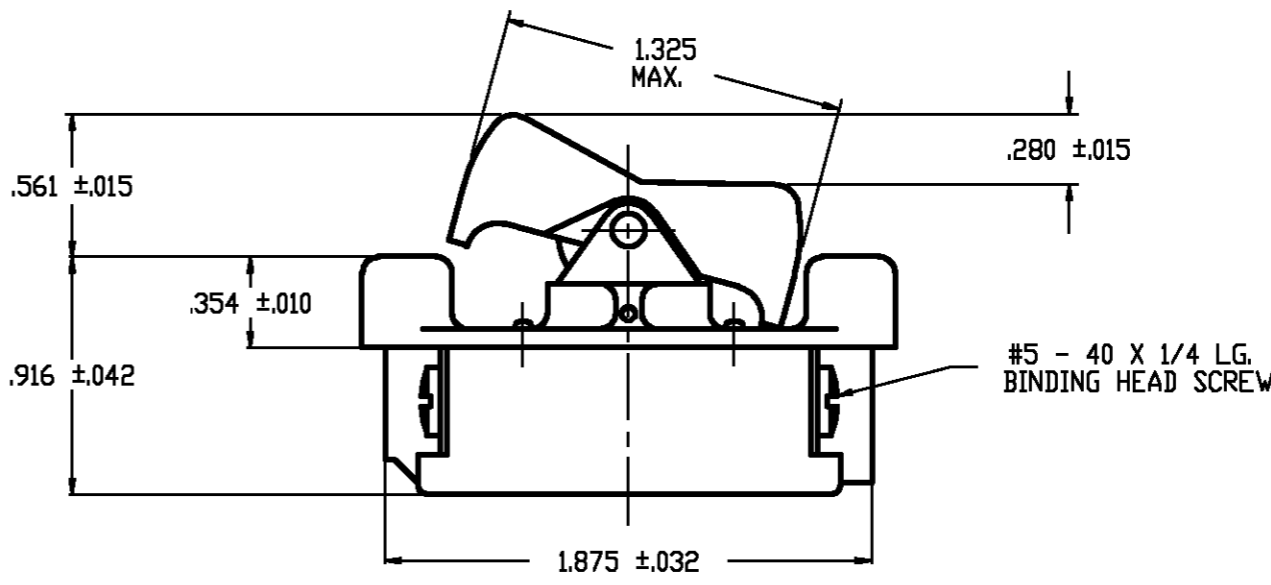
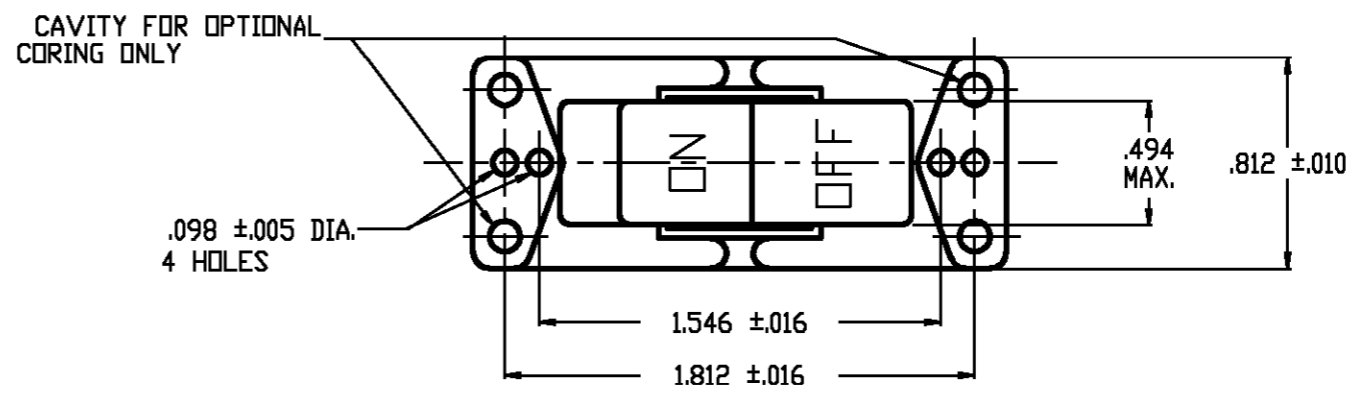
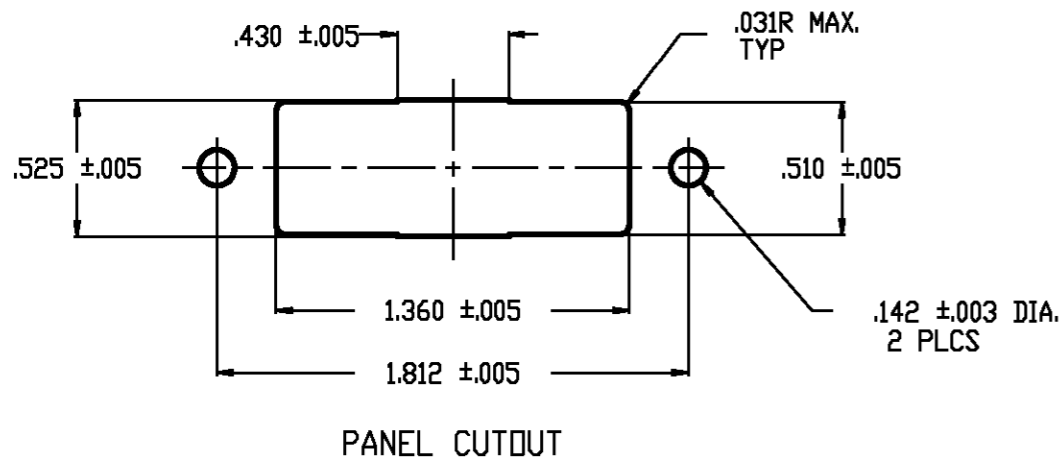
3

2

1

THIS DRAWING IS UNPUBLISHED. RELEASED FOR PUBLICATION
© COPYRIGHT BY TYCO ELECTRONICS CORPORATION. ALL RIGHTS RESERVED.

LOC	DIST	REVISIONS			
P	LTR	DESCRIPTION	DATE	DWN	APVD
AD	00	A	EC0G3G-0016-01	25MAY01	WL WBH



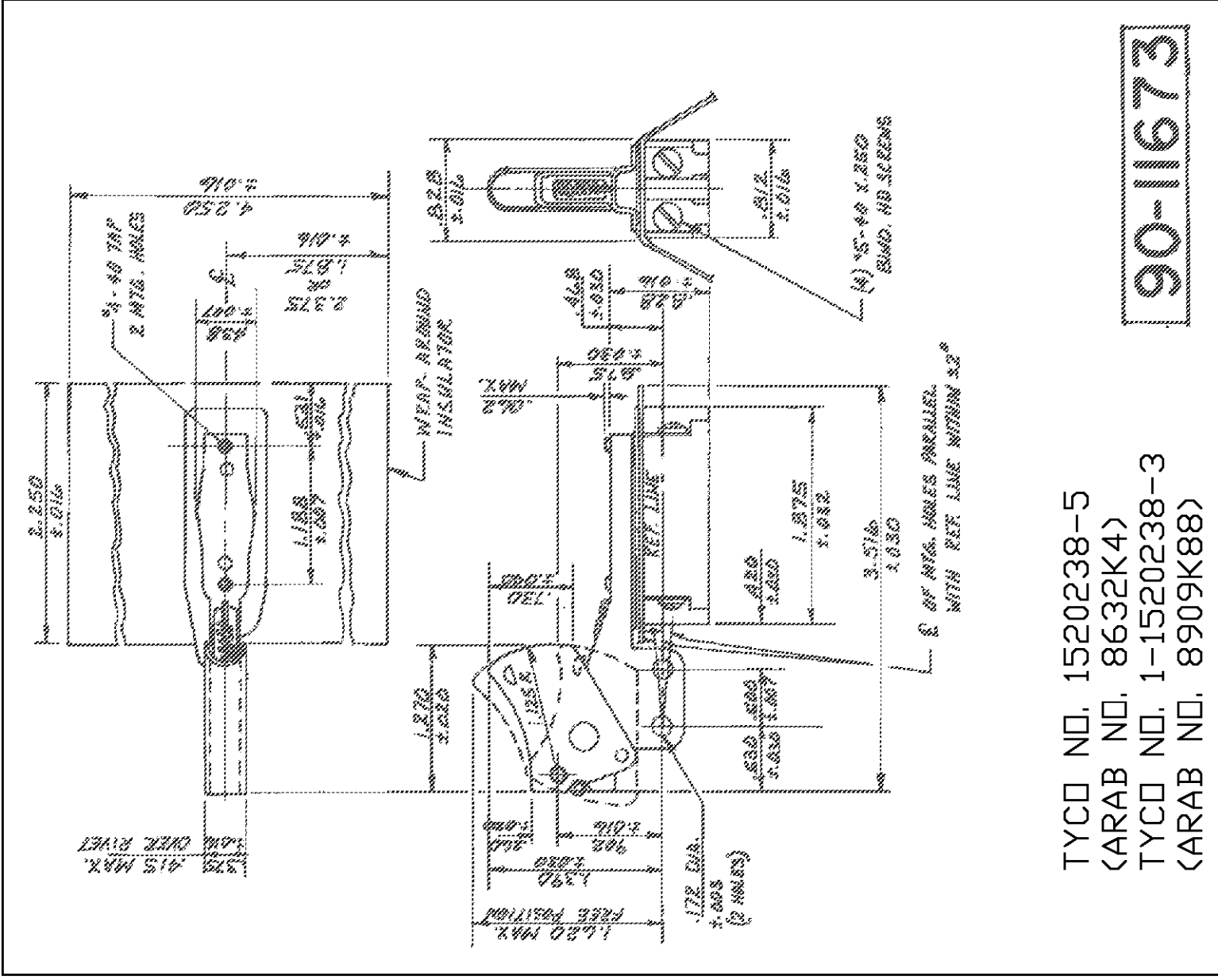
NOTE:
1. SWITCH RATED AT 8A 250V 16A 125V 1HP 125V.

TYCO NO. 1520238-1
(ARAB NO. 8630K50)

90-6361

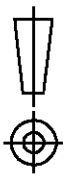
THIS DRAWING IS A CONTROLLED DOCUMENT.		DWN M. WHITED 26AUG76	Tyco Electronics Corporation Arab, AL 35016	
DIMENSIONS: INCHES		CHK J. SMITH 27AUG76	NAME ALL PLASTIC ROCKER SWITCH	
TOLERANCES UNLESS OTHERWISE SPECIFIED:		APVD R. SARAS 27AUG76	PRODUCT SPEC -	
0 PLC ± -		APPLICATION SPEC -	SIZE A3	
1 PLC ± -		WEIGHT -	CAGE CODE 00779	DRAWING NO 1520238
2 PLC ± -		RESTRICTED TO -		
3 PLC ± -		SCALE 1:1		
4 PLC ± -		SHEET 1 OF 4		
ANGLES ± -		REV A		
FINISH -		CUSTOMER DRAWING		

LOC	DIST	P	LTR	REVISIONS	DATE	DWN	APVD
AD 00			A	DESCRIPTION	25MAY01	WL	WBH
EC0G3G-0016-01							



TYCO NO. 1520238-5
 (ARAB NO. 8632K4)
 TYCO NO. 1-1520238-3
 (ARAB NO. 8909K88)

90-11673

DIMENSIONS:		MATERIAL		FINISH	
INCHES		C. MARDIS	25MAY01	-	
TOLERANCES UNLESS OTHERWISE SPECIFIED:		CHK B. THOMPSON	30AUG83		
0 PLC ± -		APVD B. NEWLAND	31AUG83		
1 PLC ± -		PRODUCT SPEC			
2 PLC ± -		APPLICATION SPEC			
3 PLC ± -		NAME	Tyco Electronics Corporation Arab, AL 35016		
4 PLC ± -		SIZE	A4 00779		
ANGLES ± -		CAGE CODE	DRAWING NO 1520238		
		WEIGHT		-	
		CUSTOMER DRAWING			
		SCALE		1:1	
		SHEET		2 OF 4	
		REV		A	
		RESTRICTED TO		-	

THIS DRAWING IS UNPUBLISHED.
 ALL RIGHTS RESERVED.
 BY TYCO ELECTRONICS CORPORATION.

RELEASED FOR PUBLICATION