

THIS DRAWING IS UNPUBLISHED. RELEASED FOR PUBLICATION  
 © COPYRIGHT copyright.d8Te- ALL RIGHTS RESERVED.

REVISIONS				
P	LTR	DESCRIPTION	DATE	APVD
A		INITIAL RELEASE	12JUN2018	TF CW
A1		ECR-18-018373 CORRECT ERROR	26NOV2018	TF CW

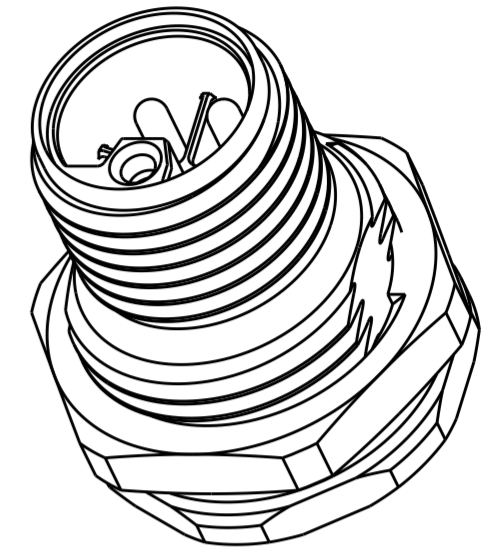
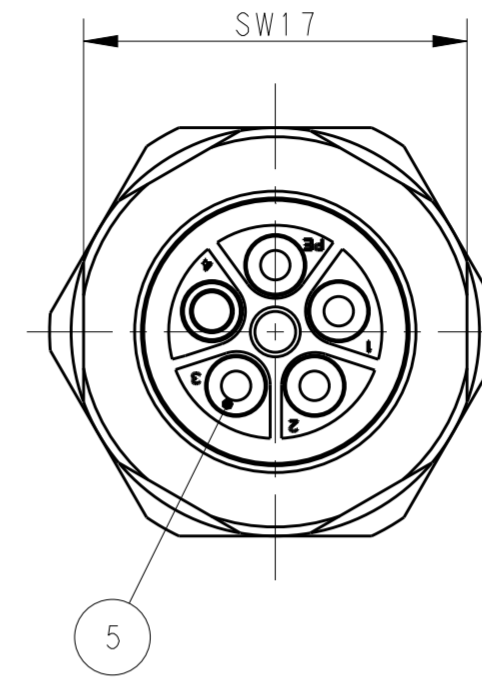
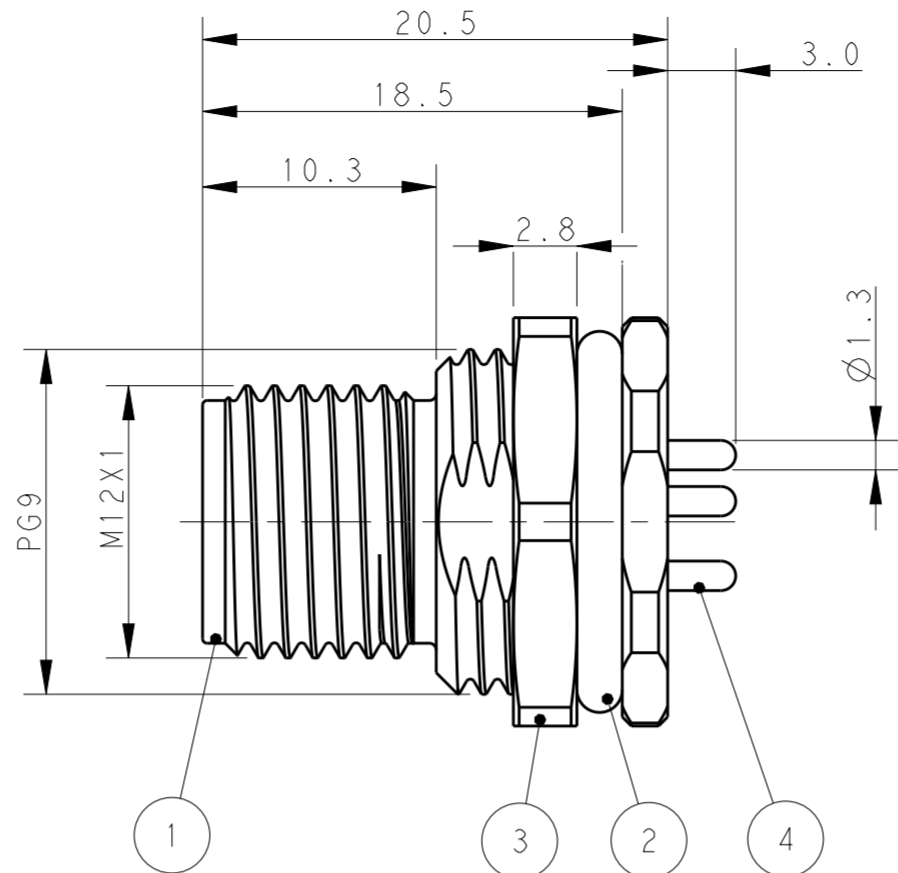
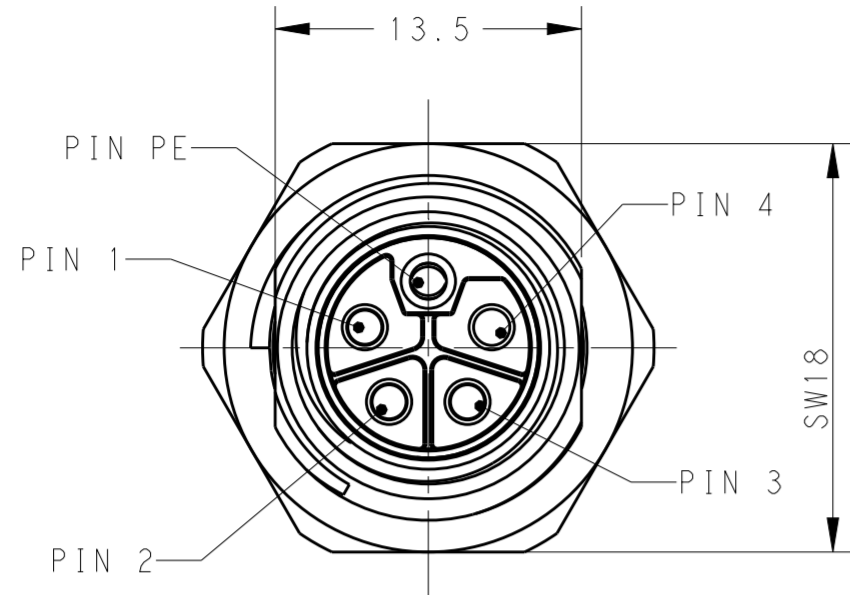
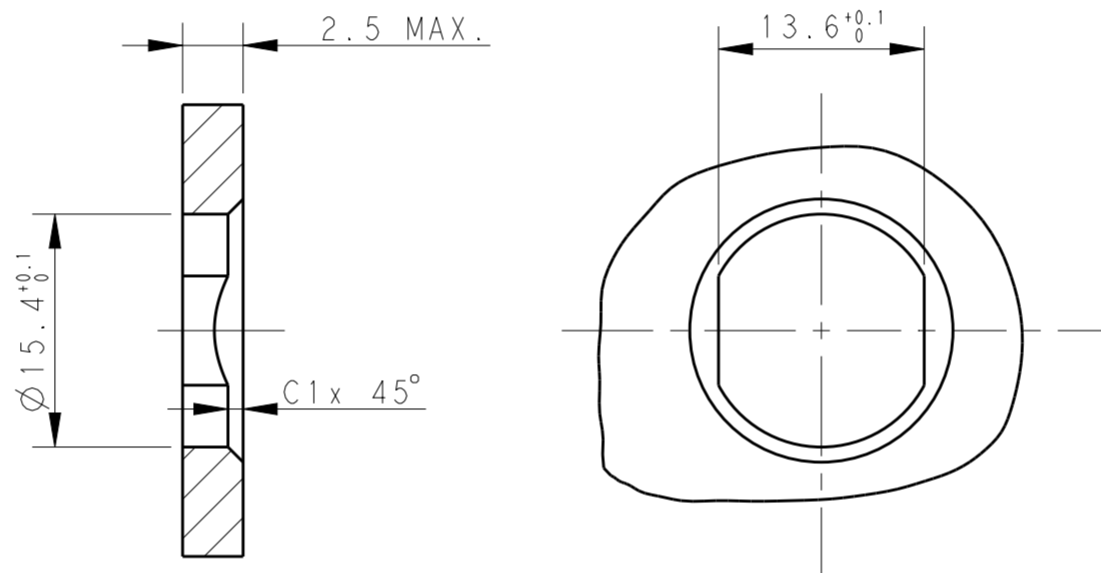


TABLE 1

TECHNICAL DATA	T4140L12031-000	T4140L12041-000	T4140L12051-000
RATED VOLTAGE	63V	63V	63V
RATED CURRENT	16A	16A	16A
POLLUTION DEGREE	3	3	3
OVERVOLTAGE CATEGORY	IV	IV	IV
MATERIAL GROUP	IIIb	IIIb	IIIb
CONTACT RESISTANCE	≤5mΩ	≤5mΩ	≤5mΩ
INSULATION RESISTANCE	>100MΩ	>100MΩ	>100MΩ
DEGREE OF PROTECTION	IP67	IP67	IP67
OPERATION TEMPERATURE	-40~85°C	-40~85°C	-40~85°C



RECOMMENDED PANEL CUTOUT

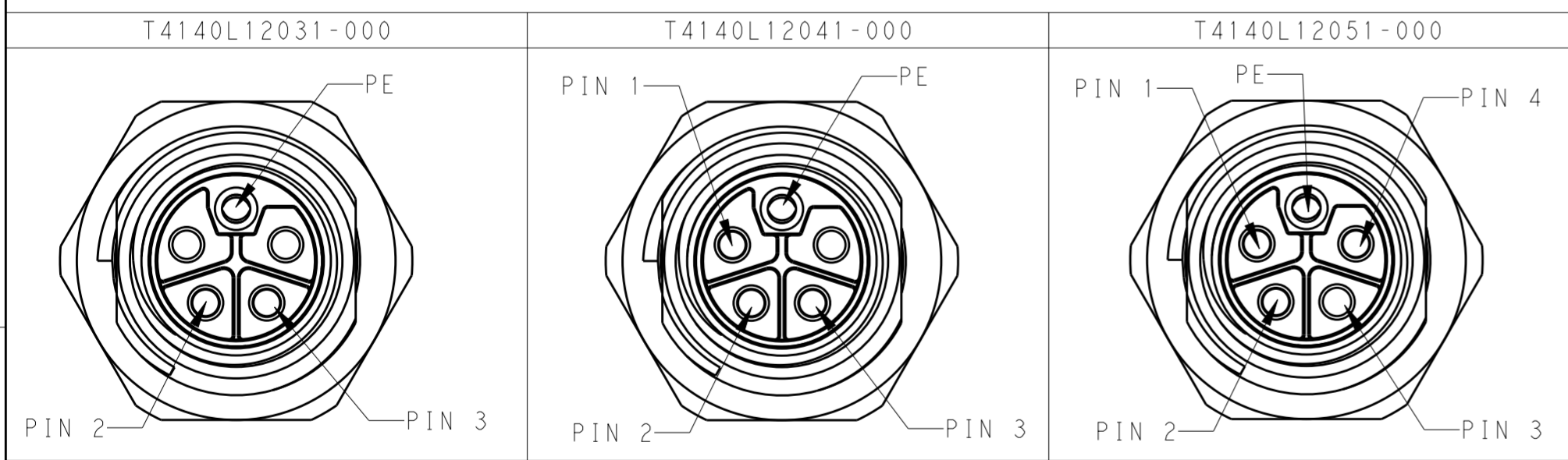
NOTE:

1. TECHNICAL DATA: SEE TABLE 1
2. RECOMMENDED PANEL CUTOUT AND PCB LAYOUT SEE DETAIL
3. PRODUCT COMPLIES WITH IEC61076-2-111
4. PLASTIC INERT MATERIAL: UL LISTED WITH UL94V0 FLAME RATING
5. ALL MATERIALS TO BE ROHS COMPLIANT
6. ALL MATERIALS TO BE REACH COMPLIANT
7. PACKAGING: 1 PIECE IN A BAG
8. ALL DIMENSIONS ARE FOR NOMINAL REFERENCE ONLY UNLESS OTHERWISE STATED

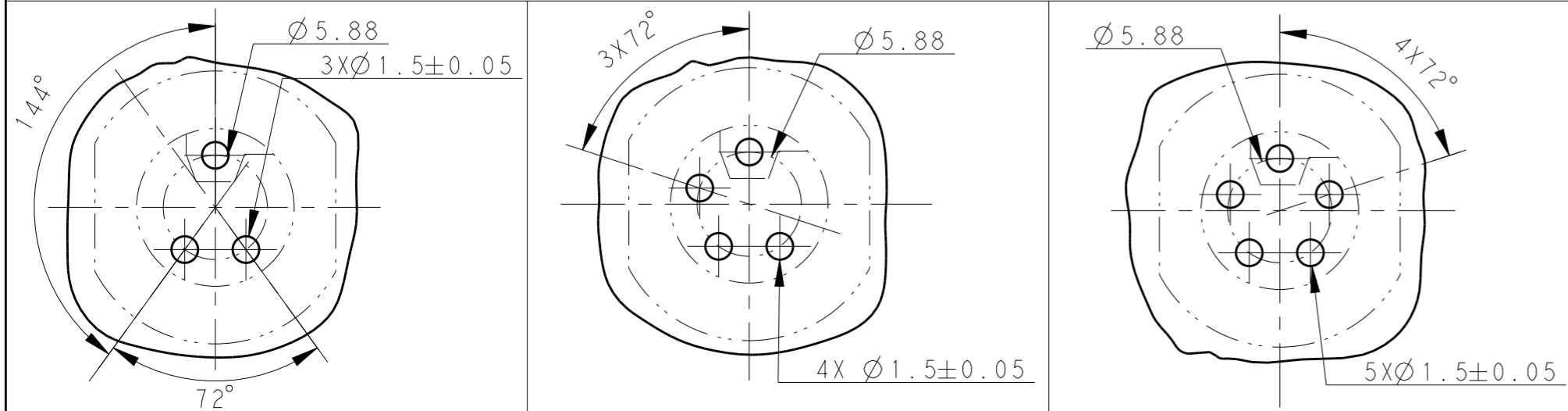
注释:

1. 技术参数, 见表1
2. 推荐面板及PCB开孔尺寸详见如图所示
3. 产品符合标准 IEC61076-2-111
4. 塑胶材料符合UL标准, UL-94V0阻燃等级
5. 所有材料符合ROHS参照标准TEC-138-705
6. 所有材料符合REACH参照标准TEC-138-705
7. 包装: 1PCS/袋
8. 所有尺寸仅供参考, 除非另有说明

PIN ARRANGEMENT L-CODE



RECOMMENDED DRILLING DIAGRAM



TYPE	POS.	PART NUMBER
RPC-M12L-MF-3CON-PG9-LBU	3	T4140L12031-000
RPC-M12L-MF-4CON-PG9-LBU	4	T4140L12041-000
RPC-M12L-MF-5CON-PG9-LBU	5	T4140L12051-000

OTHERS	MATERIAL	DESCRIPTION	ITEM
BLACK	LCP	M12, MALE HSG, L CODE, 5P	5
GOLD PLATED	COPPER ALLOY	CONTACT	4
NICKEL PLATED	COPPER ALLOY	METAL NUT	3
-	-	O-RING	2
NICKEL PLATED	COPPER ALLOY	M12, FEMALE, METAL BODY	1

THIS DRAWING IS A CONTROLLED DOCUMENT.

DWN: TONY FAN 12JUN2018  
 CHK: GINO YAO 12JUN2018  
 APVD: CHRIS WANG 12JUN2018

STE TE Connectivity

NAME: M12 PANEL MOUNT CONNECTOR L CODE, MALE, REAR MOUNT, PCB SOLDERING

PRODUCT SPEC: 108-137350  
 APPLICATION SPEC: 114-137144

SIZE: A2 CAGE CODE: - DRAWING NO: T4140L120X1000

MATERIAL: - FINISH: - WEIGHT: -

CUSTOMER DRAWING SCALE: 5:1 SHEET: 1 OF 1 REV: A1