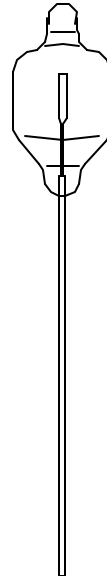
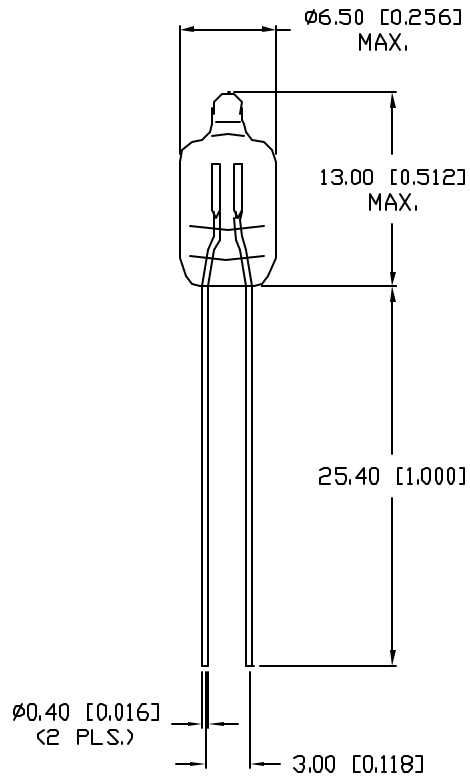


UNCONTROLLED DOCUMENT

PART NUMBER  
GT-NE6S1325T

REV.  
B

REV.	E.C.N. NUMBER AND REVISION COMMENTS	DATE
A	E.C.N. #10594. & 10BRDR.	2.18.00
B	E.C.N. #11148.	12.15.06



ELECTRO-OPTICAL CHARACTERISTICS

PARAMETER	MIN	TYP	MAX	UNITS
OPERATING VOLTAGE	90		115	V
STARTING VOLTAGE (AC)			65	V
(DC)			90	V
OPERATING CURRENT:				
W/ 150K OHM RES.		0.3		mA @ 110V
LIGHT OUTPUT		120		mLM
LIFE HOURS		25,000		HOURS
EMITTED COLOR:		ORANGE		

NOTES:

- EXTERNAL RESISTOR VALUE 150K OHMS.
- PARTS TO BE IN A SEALED BAG WITH DESICCANT.
- LEAD FINISH: SILVER PLATED LEADS.
- CORONA MUST COVER A MINIMUM OF 25% OF THE ELECTRODE WITH NO FLICKERING.



UNCONTROLLED DOCUMENT

\*UNLESS OTHERWISE SPECIFIED TOLERANCES PER DECIMAL PRECISION ARE: X=±1 (±0.038), XX=±0.5 (±0.020), XXX=±0.25 (±0.010), XXXX=±0.127 (±0.005). LEAD SIZE=±0.05 (±0.002), LEAD LENGTH=±0.75 (±0.030). MIN.=+DECIMAL PRECISION MAX.=+0.00 -DECIMAL PRECISION

REV.	PART NUMBER	CONFIDENTIAL INFORMATION	LUMEX	290 E. HELEN ROAD PALATINE, IL 60067-6976 PHONE: +1.847.359.2790 US WEB: www.lumex.com TW WEB: www.lumex.com.tw
B	GT-NE6S1325T	THE INFORMATION CONTAINED IN THIS DOCUMENT IS THE PROPERTY OF LUMEX INC. EXCEPT AS SPECIFICALLY AUTHORIZED IN WRITING BY LUMEX INC., THE HOLDER OF THIS DOCUMENT SHALL KEEP ALL INFORMATION CONTAINED HEREIN CONFIDENTIAL AND SHALL PROTECT SAME IN WHOLE OR IN PART FROM DISCLOSURE AND DISSEMINATION TO ALL THIRD PARTIES.		
6.5mm x 13mm NEON LAMP STANDARD BRIGHTNESS.		RELIABILITY NOTE OUR MANY YEARS OF EXPERIENCE DATA ACCUMULATION INDICATE THAT SOLDER HEAT IS A MAJOR CAUSE OF EARLY AND FUTURE FAILURE. PLEASE PAY ATTENTION TO YOUR SOLDERING PROCESS.	DRAWN BY: JC	CHECKED BY: APPROVED BY: DATE: 2.18.00 PAGE: 1 OF 1 SCALE: N/A