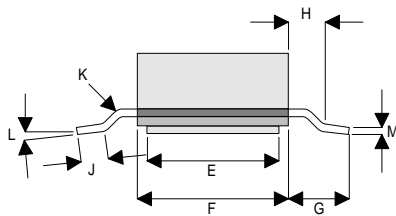
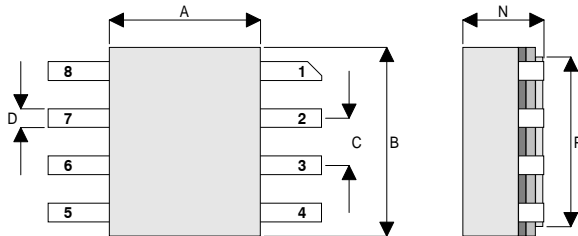


MECHANICAL DATA



SO8 PACKAGE

PIN 1 – SOURCE                      PIN 5 – SOURCE  
 PIN 2 – DRAIN                      PIN 6 – GATE  
 PIN 3 – DRAIN                      PIN 7 – GATE  
 PIN 4 – SOURCE                      PIN 8 – SOURCE

Dim.	mm	Tol.	Inches	Tol.
A	4.06	±0.08	0.160	±0.003
B	5.08	±0.08	0.200	±0.003
C	1.27	±0.08	0.050	±0.003
D	0.51	±0.08	0.020	±0.003
E	3.56	±0.08	0.140	±0.003
F	4.06	±0.08	0.160	±0.003
G	1.65	±0.08	0.065	±0.003
H	0.76	+0.25 -0.00	0.030	+0.010 -0.000
J	0.51	Min.	0.020	Min.
	1.02	Max.	0.040	Max.
K	45°	Max.	45°	Max.
L	0°	Min.	0°	Min.
	7°	Max.	7°	Max.
M	0.20	±0.08	0.008	±0.003
N	2.18	Max.	0.086	Max.
P	4.57	±0.08	0.180	±0.003

**GOLD METALLISED  
 MULTI-PURPOSE SILICON  
 DMOS RF FET  
 10W – 50V – 500MHz  
 SINGLE ENDED**

FEATURES

- SIMPLIFIED AMPLIFIER DESIGN
- SUITABLE FOR BROAD BAND APPLICATIONS
- LOW  $C_{rss}$
- USEFUL  $P_O$  AT 1GHz
- LOW NOISE
- HIGH GAIN – 13 dB MINIMUM

APPLICATIONS

- HF/VHF/UHF COMMUNICATIONS  
 from 1 MHz to 1 GHz

ABSOLUTE MAXIMUM RATINGS ( $T_{case} = 25^{\circ}C$  unless otherwise stated)

$P_D$	Power Dissipation	30W
$BV_{DSS}$	Drain – Source Breakdown Voltage	125V
$BV_{GSS}$	Gate – Source Breakdown Voltage	±20V
$I_{D(sat)}$	Drain Current	3A
$T_{stg}$	Storage Temperature	-65 to 150°C
$T_j$	Maximum Operating Junction Temperature	200°C

Semelab Ltd reserves the right to change test conditions, parameter limits and package dimensions without notice. Information furnished by Semelab is believed to be both accurate and reliable at the time of going to press. However Semelab assumes no responsibility for any errors or omissions discovered in its use. Semelab encourages customers to verify that datasheets are current before placing orders.

## ELECTRICAL CHARACTERISTICS (T<sub>case</sub> = 25°C unless otherwise stated)

Parameter	Test Conditions	Min.	Typ.	Max.	Unit
B <sub>V</sub> DSS Drain-Source Breakdown Voltage	V <sub>GS</sub> = 0      I <sub>D</sub> = 100mA	125			V
I <sub>DSS</sub> Zero Gate Voltage Drain Current	V <sub>DS</sub> = 50V      V <sub>GS</sub> = 0			1	mA
I <sub>GSS</sub> Gate Leakage Current	V <sub>GS</sub> = 20V      V <sub>DS</sub> = 0			1	μA
V <sub>GS(th)</sub> Gate Threshold Voltage*	I <sub>D</sub> = 10mA      V <sub>DS</sub> = V <sub>GS</sub>	1		7	V
g <sub>fs</sub> Forward Transconductance*	V <sub>DS</sub> = 10V      I <sub>D</sub> = 0.5A	0.8			S
G <sub>PS</sub> Common Source Power Gain	P <sub>O</sub> = 10W	13			dB
η Drain Efficiency	V <sub>DS</sub> = 50V      I <sub>DQ</sub> = 0.1A	50			%
VSWR Load Mismatch Tolerance	f = 500MHz	20:1			—
C <sub>iss</sub> Input Capacitance	V <sub>DS</sub> = 50V      V <sub>GS</sub> = -5V      f = 1MHz			60	pF
C <sub>oss</sub> Output Capacitance	V <sub>DS</sub> = 50V      V <sub>GS</sub> = 0      f = 1MHz			25	pF
C <sub>rss</sub> Reverse Transfer Capacitance	V <sub>DS</sub> = 50V      V <sub>GS</sub> = 0      f = 1MHz			1.5	pF

\* Pulse Test:    Pulse Duration = 300 μs , Duty Cycle ≤ 2%

## HAZARDOUS MATERIAL WARNING

The ceramic portion of the device between leads and metal flange is beryllium oxide. Beryllium oxide dust is highly toxic and care must be taken during handling and mounting to avoid damage to this area.

**THESE DEVICES MUST NEVER BE THROWN AWAY WITH GENERAL INDUSTRIAL OR DOMESTIC WASTE.**

## THERMAL DATA

R <sub>THj-case</sub>	Thermal Resistance Junction – Case	Max. 6°C / W
-----------------------	------------------------------------	--------------

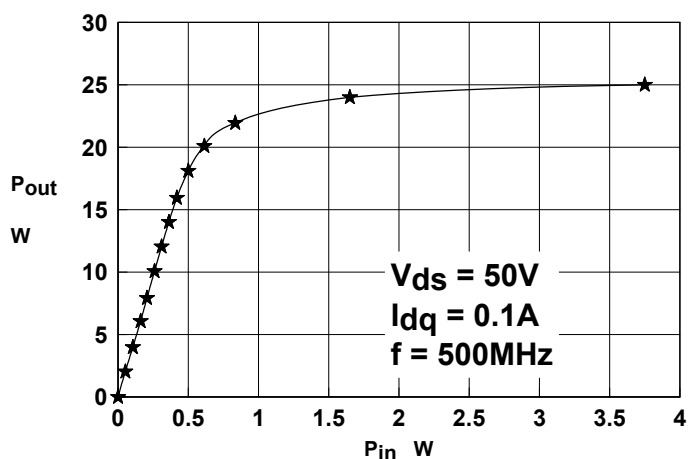


Figure 1. Output Power vs Input Power

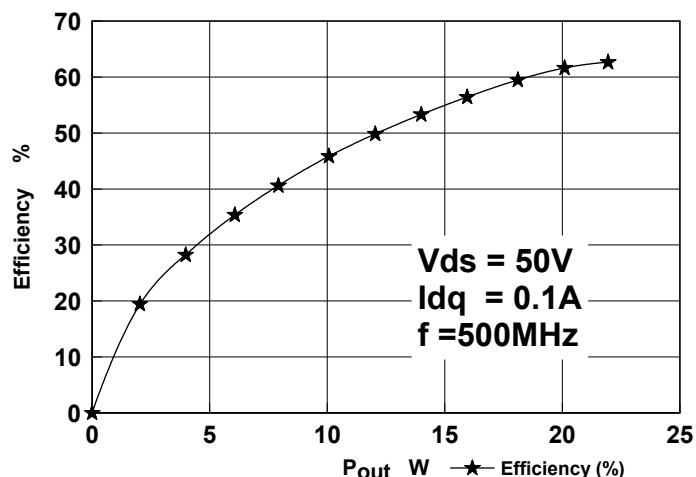


Figure 2. Efficiency vs. Output Power

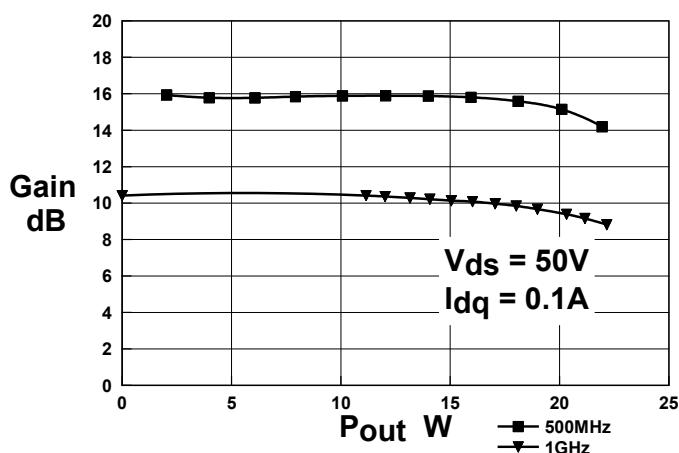


Figure 3. Gain vs Output Power

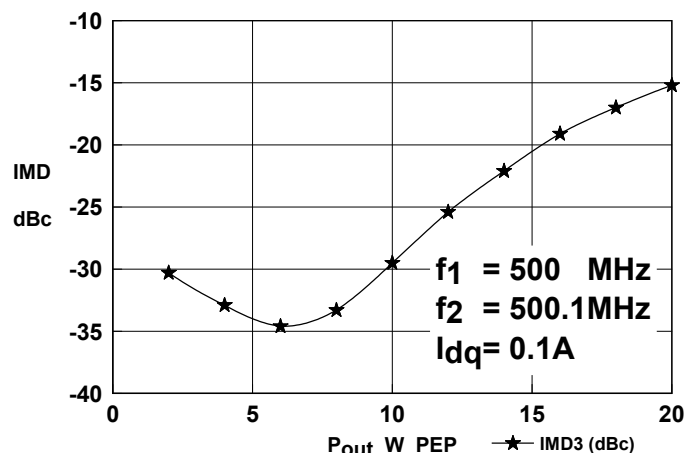


Figure 3. IMD 3 vs Output Power

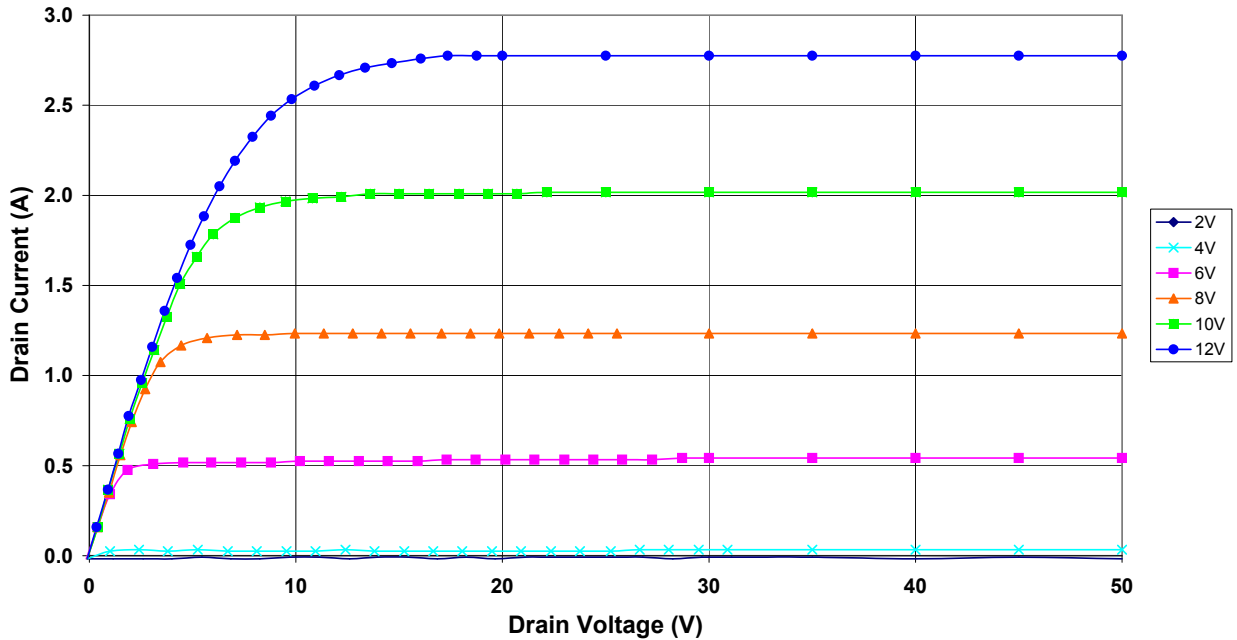


Figure 5 – Typical IV Characteristics.

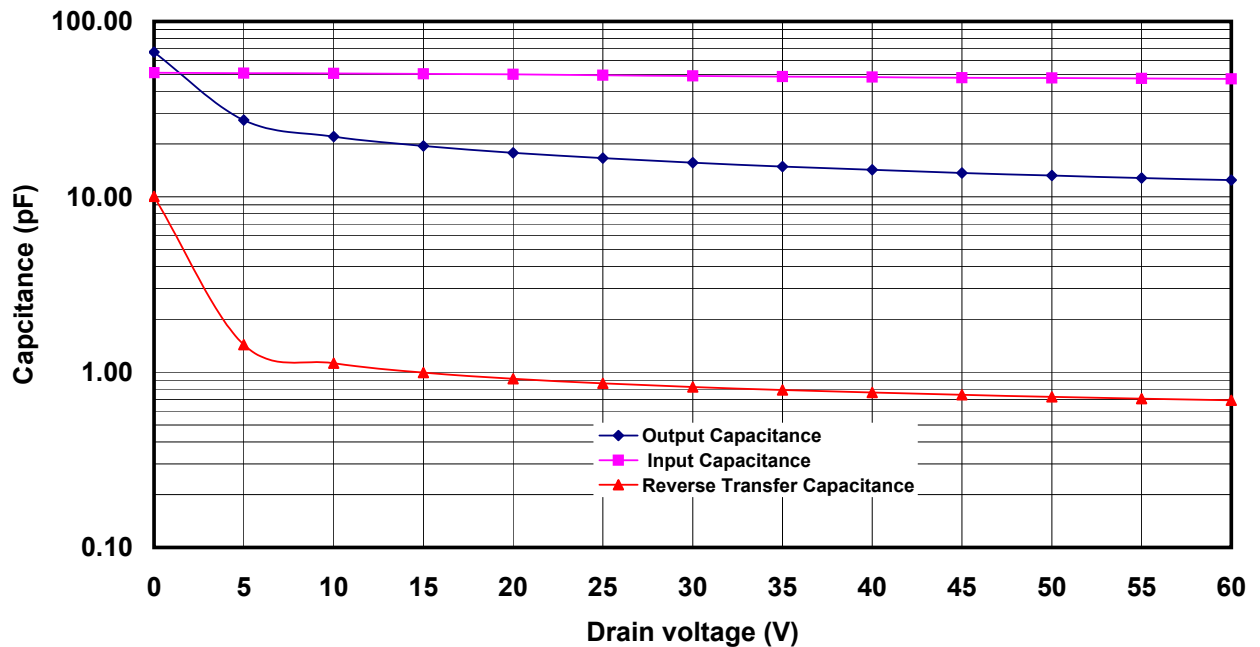
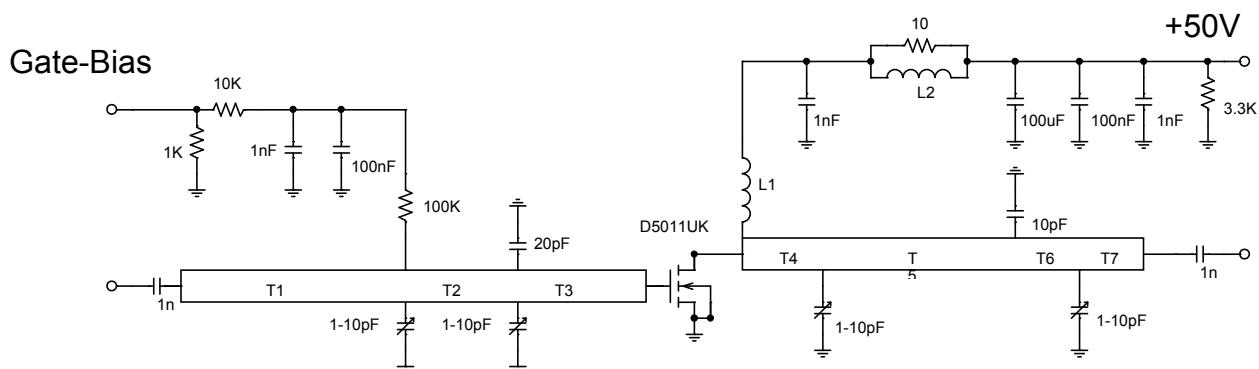


Figure 6 – Typical CV Characteristics.

Semelab Ltd reserves the right to change test conditions, parameter limits and package dimensions without notice. Information furnished by Semelab is believed to be both accurate and reliable at the time of going to press. However Semelab assumes no responsibility for any errors or omissions discovered in its use. Semelab encourages customers to verify that datasheets are current before placing orders.



## D5011UK 500MHz TEST FIXTURE

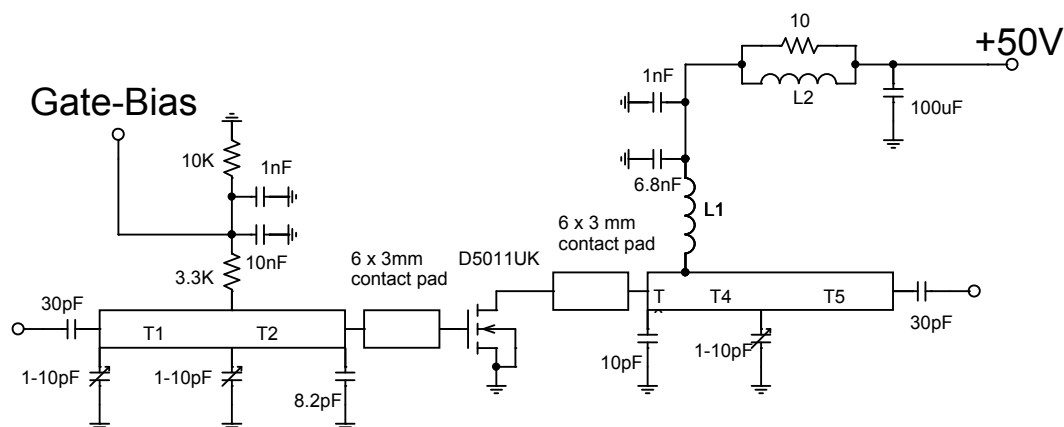
Substrate 0.8mm FR4, Er=2.2

All microstrip lines W=2.2mm

T1 37.5mm  
 T2 14.2mm  
 T3 10mm  
 T4 12.5mm  
 T5 30mm  
 T6 6mm  
 T7 12.5mm

L1 5.5 turns 20swg enamelled copper wire, 7mm i.d.

L2 1.5 turns 24swg enamelled copper wire on Siemens B62152A7X 2 hole core



# D5011UK 1GHz TEST FIXTURE

Substrate 0.8mm PTFE/glass, Er=2.5

All microstrip lines W=2.2mm

T1 35mm

T2 15mm

T3 4mm

T4 14 mm

T5 32mm

L1 7.5 turns 24swg enamelled copper wire, 3mm i.d.

L2 1.5 turns 24swg enamelled copper wire on ferrite core