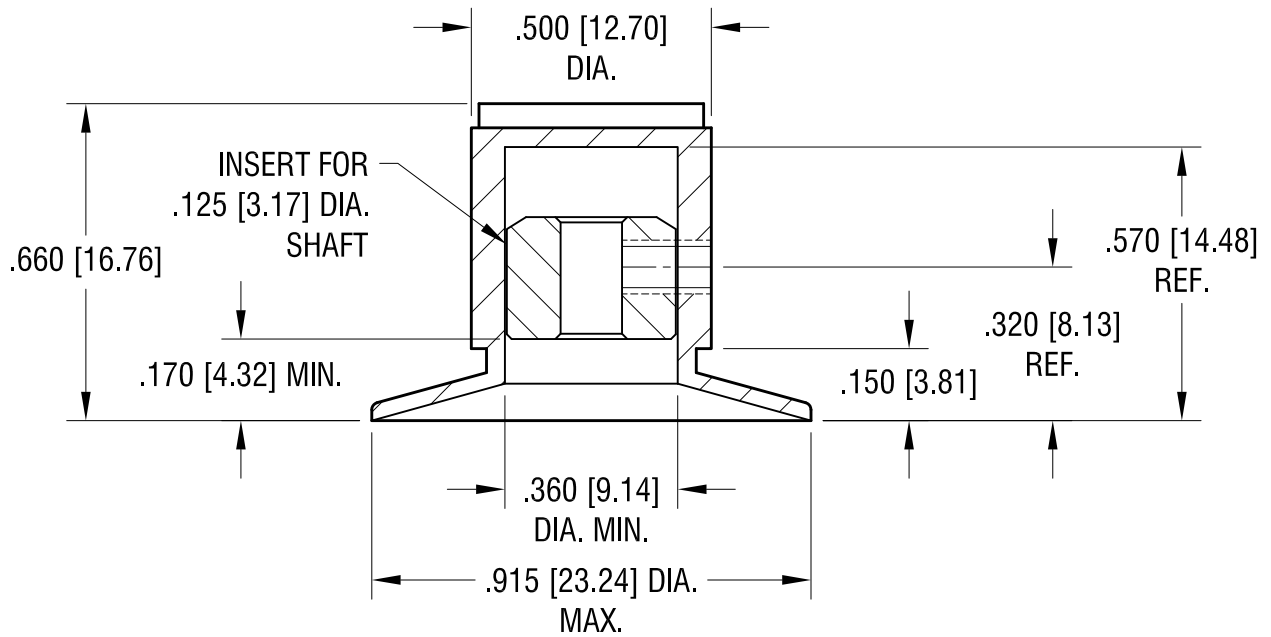
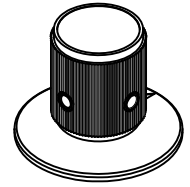
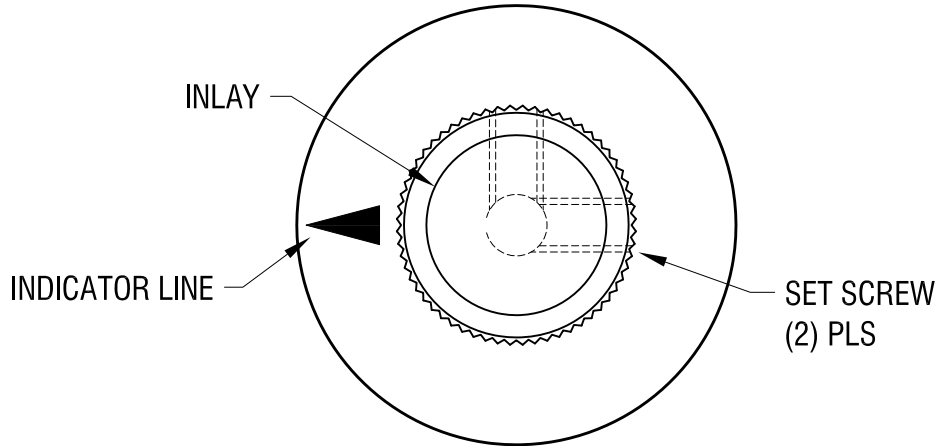


THIS DOCUMENT IS THE PROPERTY OF
KEYSTONE ELECTRONICS CORP. AND
SHALL NOT BE REPRODUCED, DISTRIBUTED
OR USED AS A BASIS FOR MANUFACTURE
WITHOUT PRIOR WRITTEN PERMISSION
FROM KEYSTONE ELECTRONICS CORP.



NOTES:

1. KNOB: MAT'L: ABS, BLACK
2. INSERT: MAT'L: BRASS, NICKEL PLATE
3. INLAY: MAT'L: SPUN ALUMINUM
4. SCREW: MAT'L- STEEL
FINISH- BLACK OXIDE

KEYSTONE ELECTRONICS CORP.

www.keyelco.com • ASTORIA, N.Y. 11105-2017 • Tel (718) 956-8900

PART NAME

KNOB

MATERIAL

AS NOTED

FINISH

AS NOTED

DRN BY

BOONE

DATE

1.8.07

APP'D

LN

SCALE

2.5X

TOLERANCES

INCH [MM]

DECIMAL

$\pm .015$ [± 0.38]

ANGULAR

$\pm 1^\circ$

UNLESS OTHERWISE SPECIFIED

CODE

C

DWG NO.

8558

2.11.14	CHANGE AS PER ECN14-016	B
10.11.07	CHANGE AS PER ECN 07-065	A
DATE	DESCRIPTION	REV.