

# LED FLEX RIBBON

## Features

VOLTAGE: 12V DC  
 CURRENT: 1800mA  
 LED VIEWING ANGLE (2 θ 1/2): 120°

### STANDARD PACKAGING:

5 Meter Reel (300 LED's)

### OPTIONAL PACKAGING:

Individual 500mm Sections (30 LED's)  
 Order as ZFS-8500-XX/SEC

Note: Individual Sections ARE NOT supplied with insulated wire connection.



E365522

## Maximum Ratings

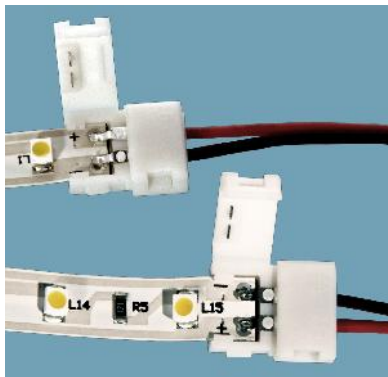
Parameter	Symbol	Rating	Unit
Electrostatic Discharge	ESD	800	V
Operating Temperature	Topr	-30~+85	°C
Storage Temperature	Tstg	-40~+100	°C

## Accessories

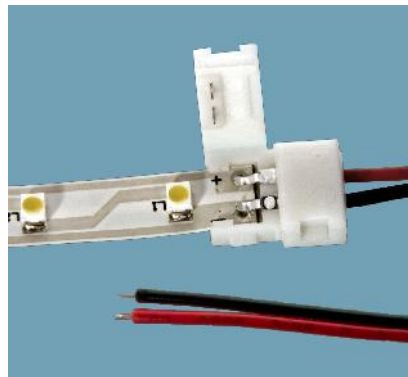
ZPS-1220 12V, 20 Watt Power Supply  
 ZPS-1225 12V, 25 Watt Power Supply  
 ZPS-1235 12V, 35 Watt Power Supply  
 ZPS-1260 12V, 60 Watt Power Supply  
 ZDM-01 PWM LED Dimmer

Note: ZPS-1235 and ZPS-1260 require use of wire nuts for connections.

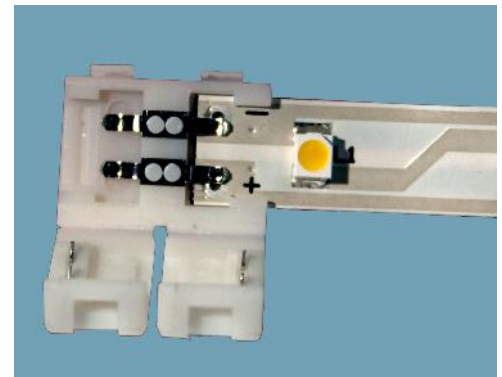
## Mating Components



ZFS-CH138-8J:  
Solderless Joiner Connector



ZFS-CH140-8I:  
Solderless Input Connector



ZFS-CHO-8J:  
Solderless Connector



### ATTENTION

OBSERVE PRECAUTION FOR HANDLING ELECTROSTATIC DISCHARGE SENSITIVE DEVICES

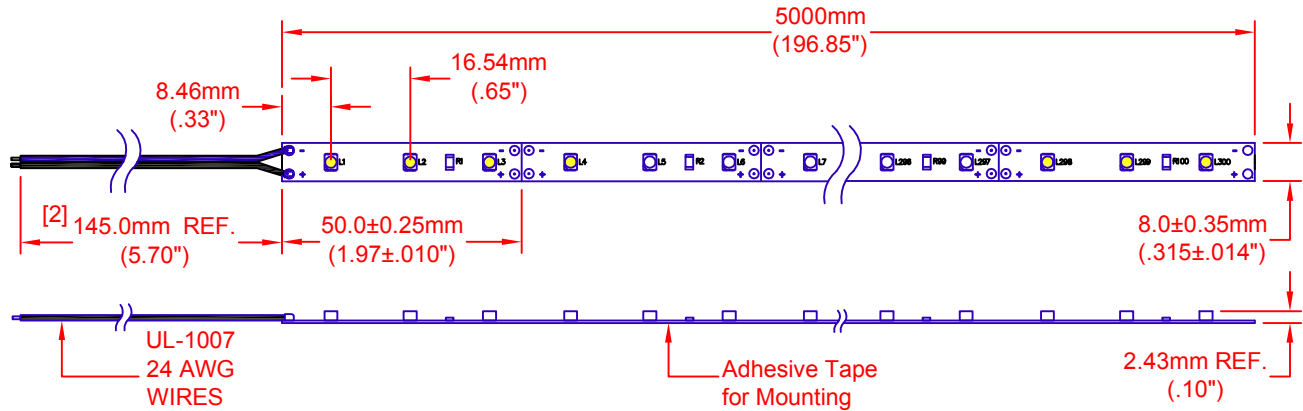
## Note

Please refer to JKL Application Sheet JKL-AS-ZFS-LED FLEX for Installation and Power Recommendations.

G	DELETE PART NO. ZFS-8500-Y	6/13/14	<p>THIRD ANGLE PROJECTION</p>	<p>DIMENSIONS ARE IN mm (INCHES)</p> <p>TOLERANCE UNLESS OTHERWISE SPECIFIED</p> <p>1 PL +/- REF.</p> <p>2 PL +/- REF.</p> <p>ANGLE +/-</p>	<p><b>JKL</b> COMPONENTS CORPORATION</p>	<p>TITLE</p> <p>LED FLEX RIBBON, 12V</p>									
F	ADD UL SYMBOL	12/9/13													
E	CHANGE MATING COMPONENTS	5/17/13													
D	ADD ACCESSORIES NOTES	8/16/11													
C	ADD WIRE TYPE AND SIZE	6/27/11													
B	SHOW WIRES ON BOTH ENDS	2/15/11	DRAWN BY	APPV'D BY	DATE	SIZE	FSCM NO.	DRAWING NO.	ZFS-8500 MULTI						
A	ADD ZFS-8500-Y PART NO & ACCESSORIES	12/28/10	L. WENGSTROM	S.C.	6/13/14	<b>A</b>	<b>55335</b>								
	RELEASED	8/18/10	- CAD DRAWING - MANUAL REVISIONS NOT PERMITTED			SCALE	NONE	RELEASED DATE	8/18/10	REVISION DATE	6/13/14	REV. NO.	<b>G</b>	SHEET	1 OF 2

# LED FLEX RIBBON

## Dimensions



## Electro-Optical Characteristics (Ta = 25°C)

JKL Part Number	Color	Number of LED's	Input Voltage (V DC)	Power (W)	Current (mA)	Radiance Angle	CCT (K)	Lumen Flux (lm)
ZFS-8500-CW	Cool White	300	12	21.60	1800	120°	6000	1092
ZFS-8500-NW	Neutral White	300	12	21.60	1800	120°	4100	1014
ZFS-8500-WW	Warm White	300	12	21.60	1800	120°	3050	936

## Circuit Diagram

