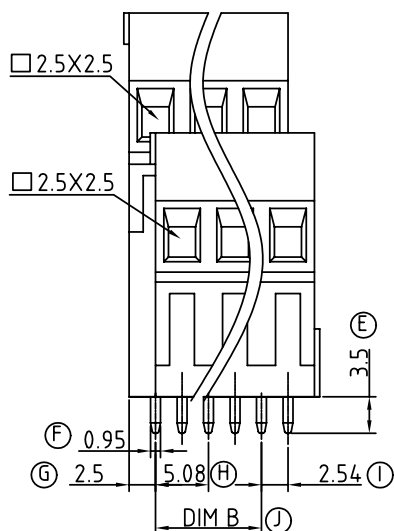


Dimension A&B

DIM A	N×5.08
DIM B	(N-1)×5.08

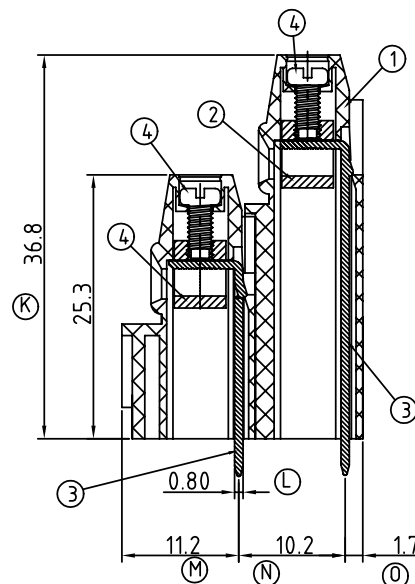
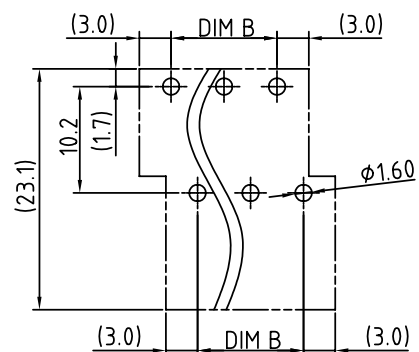
N=Number of contacts

Poles	A&B Tolerance
2P-8P	±0.15
9P-14P	±0.25
15P-20P	±0.35
21P-24P	±0.40



N=Number of contacts

P.C.B LAYOUT



SIGN	DATE	DESCRIPTION	APPROVER
△	01/18'07	Soldering temperature changed from 245° to 250°	Tason
△	01/18'07	Part NO is Changed	Tason

THIS IS CAD DRAWING, DO NOT REVISE MANUALLY!!!

Material:

- Item 1 Terminal housing :Thermoplastic (UL 94V-0)
- Item 2 Clamp : Brass ,Ni plated
- Item 3 Wire guard solder pin : Brass ,Tin plated
- Item 4 Terminal screw: Steel Zinc plating"-slot type

Electrical cULus

- Voltage rating: 300VAC
- Current rating: 10A
- Wire range:
- Solid wire(AWG): 12-24
- Stranded wire(AWG): 12-24
- Torque(Lb-In): 3.5
- Screw: M2.5
- Wire strip length: 6-7mm
- Withstanding Voltage: 1.6KV
- Operating temperature: -40°C to +115°C
- △ ● Soldering temperature: 250°C±10°C/5 Sec
- Safety Approval: cULus

△ YM xx 61 x 0 xxxx G

04 2x2 CONTACTS	0 Black	0000:"@Logo (Standard) Pb < 40,000ppm
06 2x3 CONTACTS	5 Green	000A:"ANYTEK"Logo (RoHS)
... ..	6 Blue	Any special item by
48 2x24 CONTACTS	8 Grey	customer request,
		please contact sales
		department.

ANYTEK		CUSTOMER COPY	
<small>ALL RIGHTS RESERVED. REPRODUCTION OR ISSUE TO THIRD PARTIES IN ANY FORM WHATSOEVER IS NOT PERMITTED WITHOUT WRITTEN AUTHORITY FROM THE PROPRIETOR. PROPERTY OF ANYTEK TECHNOLOGY CO., LTD</small>			
TITLE	YM-5.08mm -R Series		
PART NO.	YMxx61x0xxxxG	DWG NO.	8YM0102
APPROVED	CHECKED	DESIGNED	DRAWN
		Aaron 2009.11.30	Aaron 2009.11.30
SHEET: 01/01		UNIT: mm	X. ±0.50
		SCALE: NONE	X.X ±0.30
		REV.: D	X.XX ±0.10
			X° ±1°