

Dimension A&B

DIM A	N×5.08
DIM B	(N-1)×5.08

N=Number of contacts

Poles	A&B Tolerance
2P-8P	±0.15
9P-14P	±0.25
15P-20P	±0.35
21P-24P	±0.40

SIGN	DATE	DESCRIPTION	APPROVER
△	01/18'07	Soldering temperature changed from 245° to 250°	Tason
△	01/18'07	Part NO is Changed	Tason

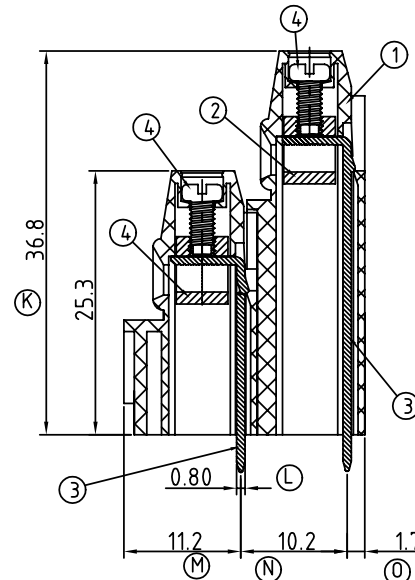
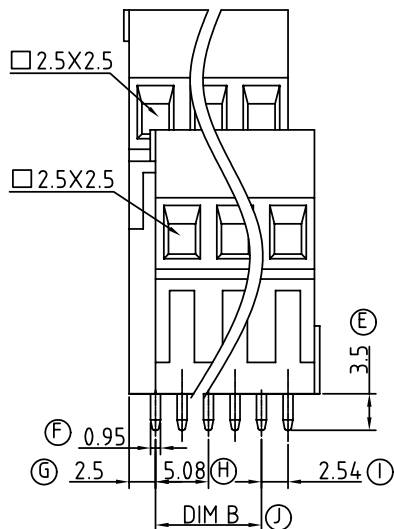
THIS IS CAD DRAWING, DO NOT REVISE MANUALLY!!!

Material:

- Item 1 Terminal housing :Thermoplastic (UL 94V-0)
- Item 2 Clamp : Brass ,Ni plated
- Item 3 Wire guard solder pin : Brass ,Tin plated
- Item 4 Terminal screw: Steel Zinc plating"-slot type

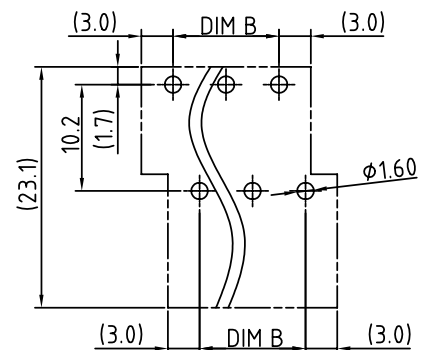
Electrical cULus

- Voltage rating: 300VAC
- Current rating: 10A
- Wire range:
- Solid wire(AWG): 12-24
- Stranded wire(AWG): 12-24
- Torque(Lb-In): 3.5
- Screw: M2.5
- Wire strip length: 6-7mm
- Withstanding Voltage: 1.6KV
- Operating temperature: -40°C to +115°C
- Soldering temperature: 250°C±10°C/5 Sec
- Safety Approval: cULus



N=Number of contacts

P.C.B LAYOUT



△ YM xx 61 x 0 xxxx G

- |                  |         |                                       |
|------------------|---------|---------------------------------------|
| 04 2×2 CONTACTS  | 0 Black | 0000:"@Logo (Standard) Pb < 40,000ppm |
| 06 2×3 CONTACTS  | 5 Green | 000A:"ANYTEK"Logo (RoHS)              |
| ... ..           | 6 Blue  | Any special item by                   |
| 48 2×24 CONTACTS | 8 Grey  | customer request,                     |
|                  |         | please contact sales                  |
|                  |         | department.                           |

**ANYTEK**

**CUSTOMER COPY**

ALL RIGHTS RESERVED. REPRODUCTION OR ISSUE TO THIRD PARTIES IN ANY FORM WHATSOEVER IS NOT PERMITTED WITHOUT WRITTEN AUTHORITY FROM THE PROPRIETOR. PROPERTY OF ANYTEK TECHNOLOGY CO., LTD

TITLE	YM-5.08mm -R Series				DWG NO.	8YM0102	
PART NO.	YMxx61x0xxxxG			CUST NO.			
APPROVED	CHECKED	DESIGNED	DRAWN				
		Aaron 2009.11.30	Aaron 2009.11.30				
				UNIT: mm	X.	±0.50	
				SCALE: NONE	X.X	±0.30	
				SHEET: 01/01	X.XX	±0.10	
				REV.: D	X°	±1°	