

Dimension A&B

DIM A	N×5.08
DIM B	(N-1)×5.08

N=Number of contacts

Poles	A&B Tolerance
2P-8P	±0.15
9P-14P	±0.25
15P-20P	±0.35
21P-24P	±0.40

SIGN	DATE	DESCRIPTION	APPROVER
△	01/18'07	Soldering temperature changed from 245° to 250°	Tason
△	01/18'07	Part NO is Changed	Tason

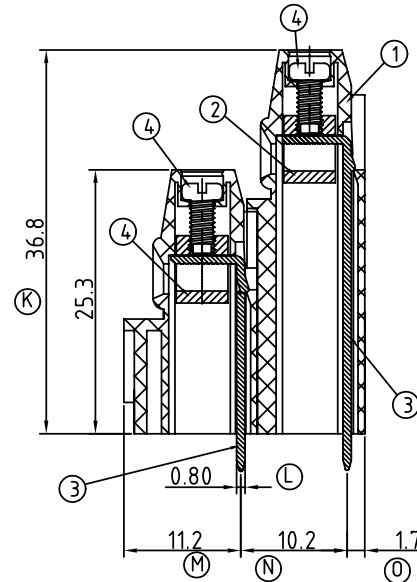
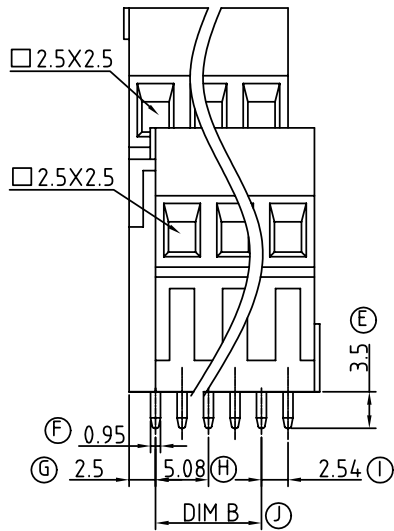
THIS IS CAD DRAWING, DO NOT REVISE MANUALLY!!!

Material:

- Item 1 Terminal housing :Thermoplastic (UL 94V-0)
- Item 2 Clamp : Brass ,Ni plated
- Item 3 Wire guard solder pin : Brass ,Tin plated
- Item 4 Terminal screw: Steel Zinc plating"-slot type

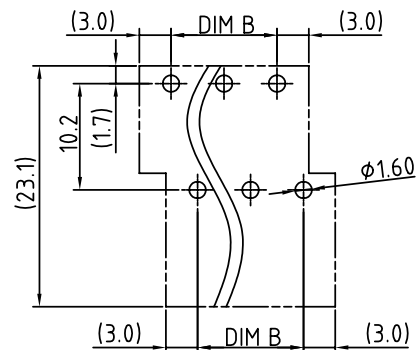
Electrical cULus

- Voltage rating: 300VAC
- Current rating: 10A
- Wire range:
- Solid wire(AWG): 12-24
- Stranded wire(AWG): 12-24
- Torque(Lb-In): 3.5
- Screw: M2.5
- Wire strip length: 6-7mm
- Withstanding Voltage: 1.6KV
- Operating temperature: -40°C to +115°C
- Soldering temperature: 250°C±10°C/5 Sec
- Safety Approval: cULus



N=Number of contacts

P.C.B LAYOUT



△ YM xx 61 x 0 xxxx G

- | | | | |
|------------------|---------|---------------------------------------|----------------|
| 04 2x2 CONTACTS | 0 Black | 0000:"@Logo (Standard) | Pb < 40,000ppm |
| 06 2x3 CONTACTS | 5 Green | 000A:"ANYTEK"Logo | (RoHS) |
| | 6 Blue | Any special item by customer request, | |
| 48 2x24 CONTACTS | 8 Grey | please contact sales department. | |

ANYTEK

CUSTOMER COPY

ALL RIGHTS RESERVED. REPRODUCTION OR ISSUE TO THIRD PARTIES IN ANY FORM WHATSOEVER IS NOT PERMITTED WITHOUT WRITTEN AUTHORITY FROM THE PROPRIETOR. PROPERTY OF ANYTEK TECHNOLOGY CO., LTD

TITLE	YM-5.08mm -R Series				DWG NO.	8YM0102	
PART NO.	YMxx61x0xxxxG			CUST NO.			
APPROVED	CHECKED	DESIGNED	DRAWN			UNIT: mm	X. ±0.50
		Aaron 2009.11.30	Aaron 2009.11.30			SCALE: NONE	X.X ±0.30
				SHEET: 01/01	REV.: D	X.XX ±0.10	X° ±1°