

Dimension A&B

DIM A	N×5.08
DIM B	(N-1)×5.08

N=Number of contacts

Poles	A&B Tolerance
2P-8P	±0.15
9P-14P	±0.25
15P-20P	±0.35
21P-24P	±0.40

SIGN	DATE	DESCRIPTION	APPROVER
△	01/18'07	Soldering temperature changed from 245° to 250°	Tason
△	01/18'07	Part NO is Changed	Tason

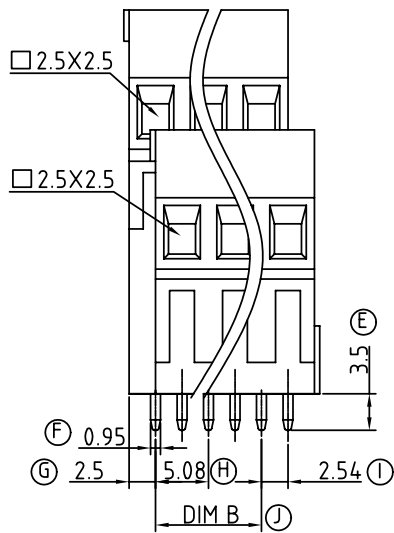
*THIS IS CAD DRAWING, DO NOT REVISE MANUALLY!!!*

Material:

- Item 1 Terminal housing :Thermoplastic (UL 94V-0)
- Item 2 Clamp : Brass ,Ni plated
- Item 3 Wire guard solder pin : Brass ,Tin plated
- Item 4 Terminal screw: Steel Zinc plating"-slot type

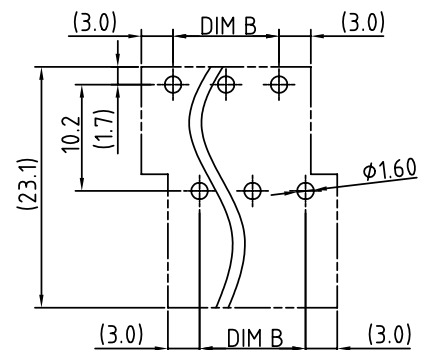
Electrical cULus

- Voltage rating: 300VAC
- Current rating: 10A
- Wire range:
- Solid wire(AWG): 12-24
- Stranded wire(AWG): 12-24
- Torque(Lb-In): 3.5
- Screw: M2.5
- Wire strip length: 6-7mm
- Withstanding Voltage: 1.6KV
- Operating temperature: -40°C to +115°C
- Soldering temperature: 250°C±10°C/5 Sec
- Safety Approval: cULus



N=Number of contacts

P.C.B LAYOUT



△ YM xx 61 x 0 xxxx G

- |                  |         |                                       |                |
|------------------|---------|---------------------------------------|----------------|
| 04 2×2 CONTACTS  | 0 Black | 0000:"@Logo (Standard)                | Pb < 40,000ppm |
| 06 2×3 CONTACTS  | 5 Green | 000A:"ANYTEK"Logo                     | (RoHS)         |
| ... ..           | 6 Blue  | Any special item by customer request, |                |
| 48 2×24 CONTACTS | 8 Grey  | please contact sales department.      |                |

**ANYTEK**

**CUSTOMER COPY**

ALL RIGHTS RESERVED. REPRODUCTION OR ISSUE TO THIRD PARTIES IN ANY FORM WHATSOEVER IS NOT PERMITTED WITHOUT WRITTEN AUTHORITY FROM THE PROPRIETOR. PROPERTY OF ANYTEK TECHNOLOGY CO., LTD

TITLE		YM-5.08mm -R Series		DWG NO.		8YM0102	
PART NO.		YMxx61x0xxxxG		CUST NO.			
APPROVED	CHECKED	DESIGNED	DRAWN	Tolerance			
		Aaron	Aaron	UNIT: mm		X. ±0.50	
		2009.11.30	2009.11.30	SCALE: NONE		X.X ±0.30	
				SHEET: 01/01		REV.: D	
						X° ±1°	