

**PLEASE CHECK WWW.MOLEX.COM FOR LATEST PART INFORMATION**

**Part Number:** [0358431237](#)  
**Status:** **Active**  
**Description:** PT Bulb Socket, Sealed, Single Housing Assembly, Type EC, Brown

**Documents:**

[3D Model](#) [Product Specification PS-35842-001 \(PDF\)](#)  
[Drawing \(PDF\)](#) [RoHS Certificate of Compliance \(PDF\)](#)

**General**

Product Family	Other Sockets
Series	35843
Comments	EC-Type
Component Type	Socket
Product Name	Bulb Socket

**Physical**

Circuits (Loaded)	2
Color - Resin	Brown
Durability (mating cycles max)	30
Entry Angle	Vertical
Keying to Mating Part	None
Material - Metal	Phosphor Bronze
Material - Resin	Nylon
PCB Locator	No
PCB Retention	N/A
Packaging Type	Bag
Pitch - Mating Interface (in)	0.000 In
Pitch - Mating Interface (mm)	0.00 mm
Temperature Range - Operating	-40°C to +105°C
Termination Interface: Style	Through Hole

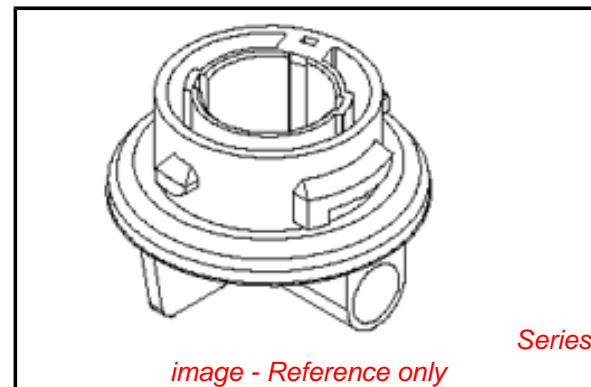
**Electrical**

Current - Maximum per Contact	5A, 7A
Voltage - Maximum	12V

**Material Info**

**Reference - Drawing Numbers**

Product Specification	PS-35842-001
Sales Drawing	SD-35843-005



**EU RoHS**

**ELV and RoHS  
Compliant**  
**REACH SVHC**  
 Not Reviewed  
**Halogen-Free  
Status**

**China RoHS**



**Need more information on product  
environmental compliance?**

Email [productcompliance@molex.com](mailto:productcompliance@molex.com)  
 For a multiple part number RoHS Certificate of  
 Compliance, [click here](#)

Please visit the [Contact Us](#) section for any  
 non-product compliance questions.

**Search Parts in this Series**

[35843Series](#)

**Mates With**

Lamp

**Use With**

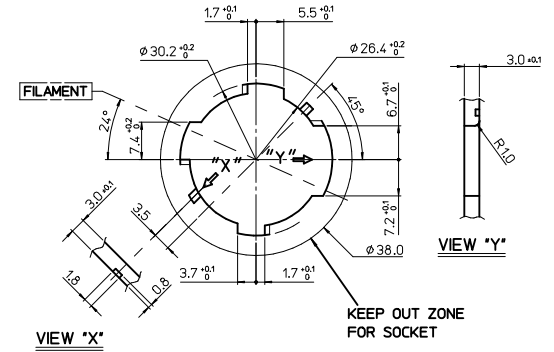
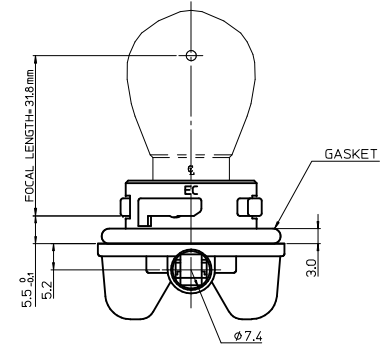
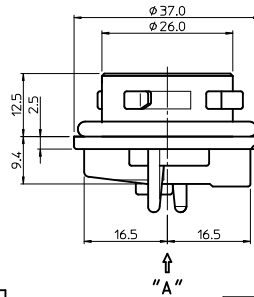
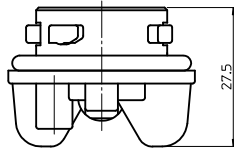
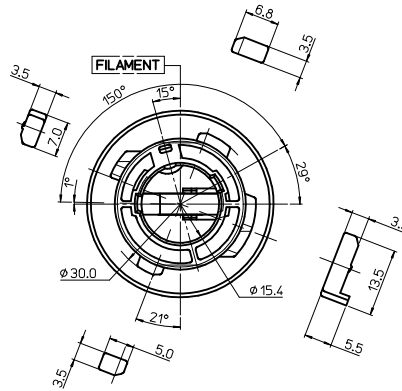
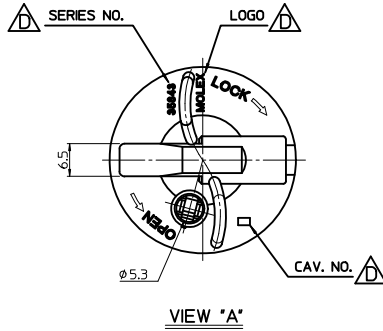
[35464](#) Positive Terminal for PT Bulb Socket,  
[35465](#) Earth Terminal for PT Bulb Socket

- NOTES  
 1. FOCAL LENGTH = 31.8mm  
 2. PRODUCT SPECIFICATION: PS-35842-001  
 3. APPLICABLE BULB CAP: PY21W(BAU15s)  
 4. MATES WITH

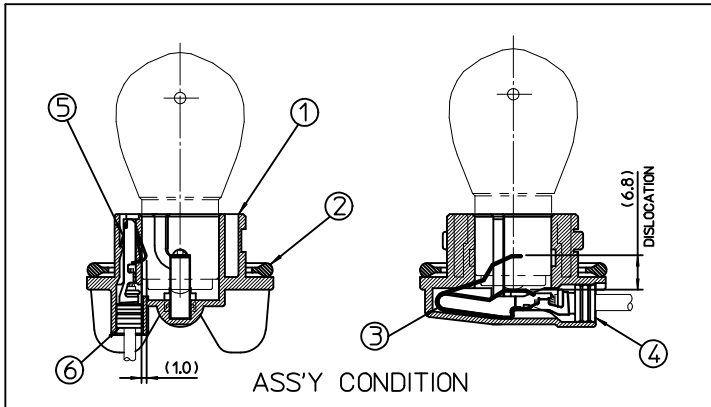
<PART LIST>

NO.	DESCRIPTION	MATERIAL	USAGE	REMARK
①	SINGLE SOCKET	PA66 M/F	1	EC TYPE
②	SEAL GASKET	NBR	1	BLACK

NO.	DESCRIPTION	MATERIAL	ORDER NO.	REMARK
③	POSITIVE TERMINAL	PHOSPHOR BRONZE	35464-8000	UNPLATED
④	POSITIVE WIRE SEAL	SILICONE	35903-0096	BROWN
⑤	EARTH TERMINAL	PHOSPHOR BRONZE	35465-8000	UNPLATED
⑥	EARTH WIRE SEAL	SILICONE	35903-0106	BLUE



MOUNTING INTERFACE (MI-1)



<TABLE 1>

MATERIAL NO.	ORDER NO.	COLOR
358431230	35843-1230	NATURAL
358431235	35843-1235	GRAY
358431236	35843-1236	WHITE
358431237	35843-1237	BROWN

REVISED EC NO: KOR2010-0146 DRWNEOKIM 2010/04/05 CHKD-WYANG 2010/04/05 APPR: YUNSIKKIM 2010/04/06	QUALITY SYMBOLS	GENERAL TOLERANCES (UNLESS SPECIFIED)	DIMENSION STYLE	SCALE	DESIGN UNITS	THIRD ANGLE PROJECTION
	▽=0 ∇=0	mm INCH 4 PLACES ± --- ± --- 3 PLACES ± --- ± --- 2 PLACES ± 0.15 ± --- 1 PLACE ± 0.25 ± --- ANGULAR ± 2 °	MM ONLY	1:1	METRIC	
	DRAFT WHERE APPLICABLE MUST REMAIN WITHIN DIMENSIONS	DRAWN BY: YSIKKIM CHECKED BY: BKCHOI APPROVED BY: CWLEE DATE: 1999/05/13	TITLE	SEALED PT BULB SOCKET SINGLE HOUSING ASS'Y (EC-TYPE)		
	SEE TABLE 1	MATERIAL NO. DOCUMENT NO. SHEET NO. SD-35843-005 1 OF 1	MOLEX INCORPORATED			