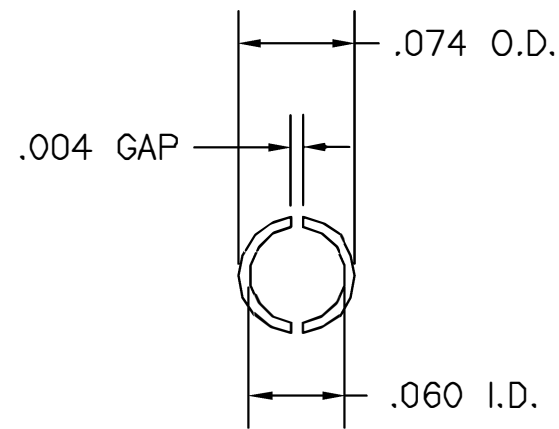
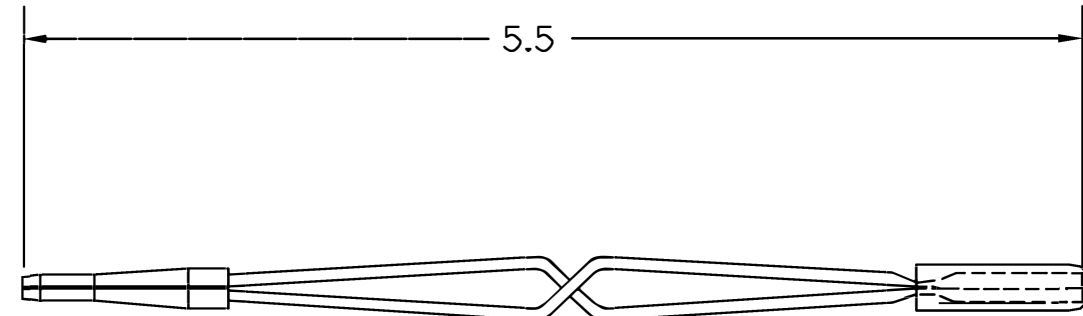
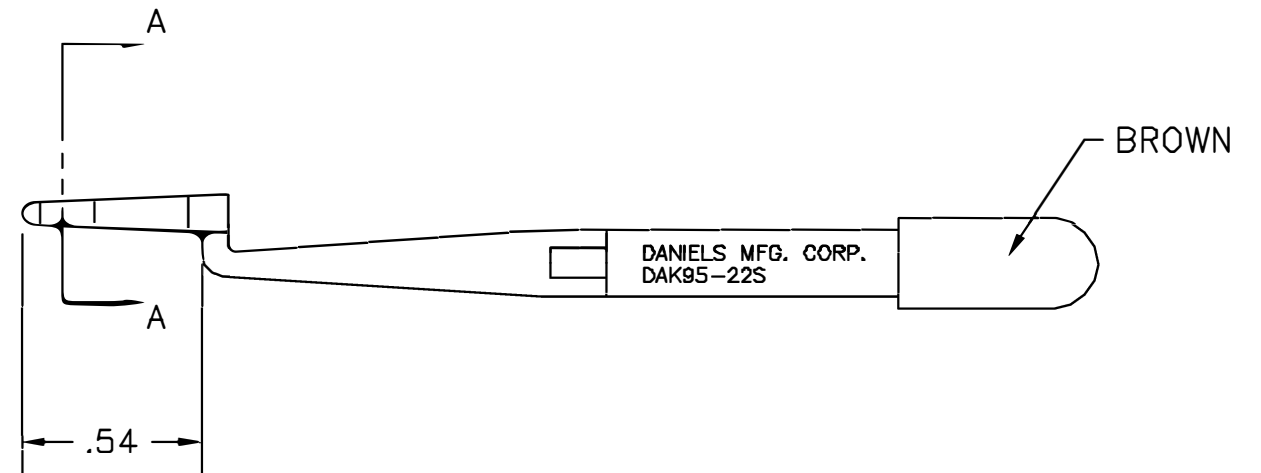



| REVISIONS |               |                  |               |               |
|-----------|---------------|------------------|---------------|---------------|
| REV. SYM. | E.C.O. NUMBER | DESCRIPTION      | BY DATE       | APP'D DATE    |
| 1         |               | ORIGINAL RELEASE | AAM<br>7-9-99 | RRR<br>7-9-99 |



VIEW A-A



**UNCONTROLLED DOCUMENT  
WILL NOT BE UPDATED**

| RESTRICTED & CONFIDENTIAL   |  | ITEM   | PART NO.                  | QTY.  | DESCRIPTION/REMARKS                      |
|---|--|--|---------------------------|---|--|
| CONFIDENTIAL PROPERTY OF DANIELS MANUFACTURING CORP. NOT TO BE DISCLOSED TO OTHERS, REPRODUCED OR USED FOR ANY OTHER PURPOSE, EXCEPT AS AUTHORIZED IN WRITING BY DANIELS MANUFACTURING. MUST BE RETURNED TO DANIELS MANUFACTURING CORP. ON COMPLETION OF ORDER OR OTHER PURPOSE FOR WHICH LENT. |  | DRN. A. MOO-YOUNG  | DATE 7-8-88               |  DANIELS MANUFACTURING CORP.<br>ORLANDO, FLORIDA<br>CAGE 11851 | TITLE<br>INSERTION TOOL ENVELOPE DRAWING |
|   |  | CHK'D. RRR   | DATE 7-8-88               |   |  |
|   |  | APP'D.   | DATE                      |   |  |
|   |  | APP'D.   | DATE                      |   |  |
| DO NOT SCALE DRAWING  |  | NOTE:<br>THIS DRAWING IS AN OUTLINE DRAWING OF THE RESPECTIVE DMC PART NUMBER INDICATED. ACTUAL DMC PART NUMBER IS DRAWING NUMBER WITHOUT THE "-ENV" SUFFIX. |                           | WHERE USED:<br>SIZE B SCALE NTS CAD P/N DAK95-22S-ENV SHEET 1 OF 1  |  |
|   |  | POSTING  | DWG. NO.<br>DAK95-22S-ENV | REV. 1  |  |