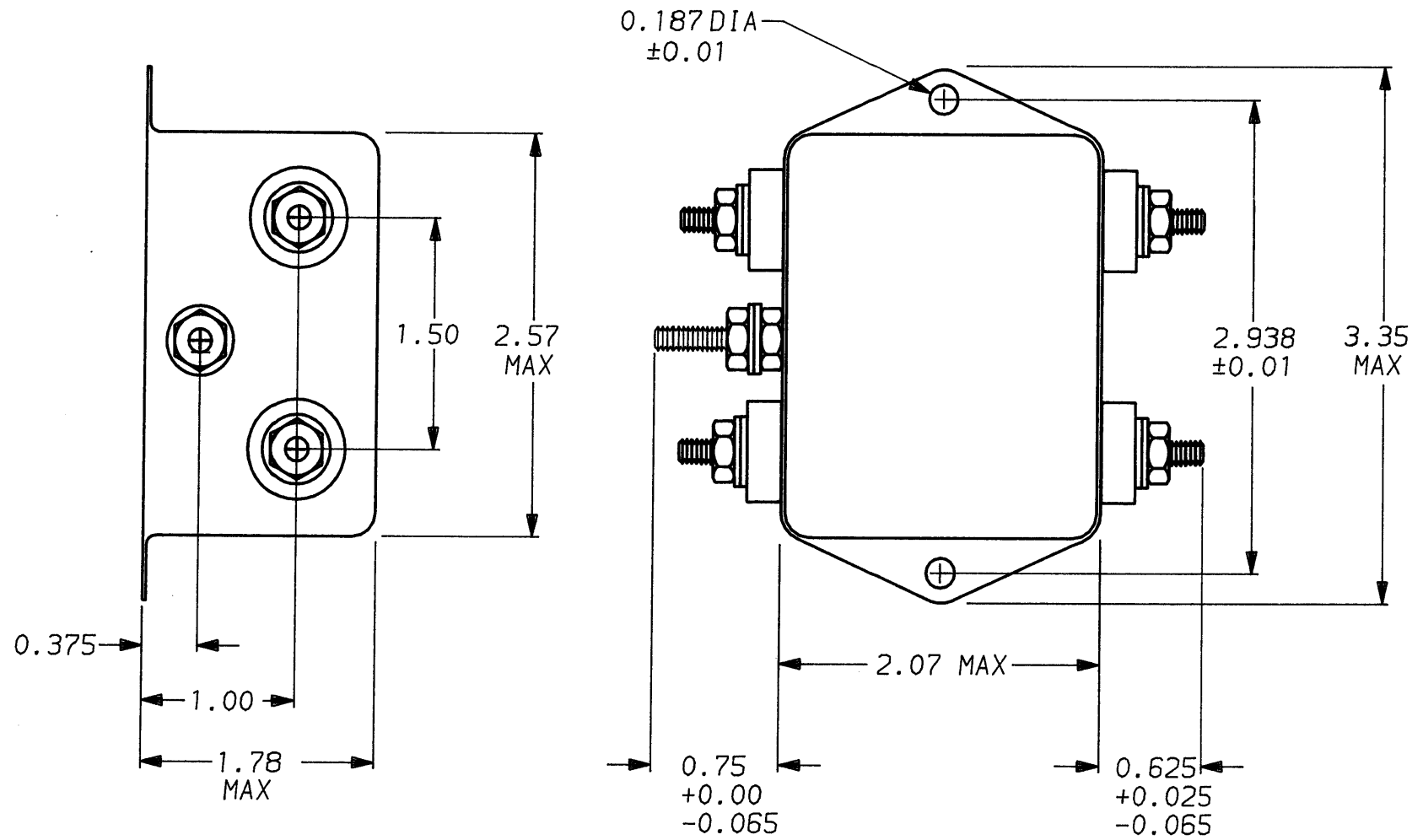


| DESCRIPTION | APPROVED BY | DATE | REV |
|---------------|-------------|----------|-----|
| | C. Westbury | 11-30-90 | 0 |
| ECO-09-026495 | AEG | 10DEC09 | 1 |



SAFETY ORGANIZATION(S):

THIS FILTER HAS BEEN FORMALLY RECOGNIZED, CERTIFIED OR APPROVED BY THE LISTED AGENCY. THEREFORE, ALL TEST/REQUIREMENTS SPECIFIED IN THE LATEST REVISION OF THE FOLLOWING AGENCY STANDARDS HAVE BEEN MET:

- | | |
|--|--|
| UL RECOGNIZED | UL 1283 |
| CSA CERTIFIED (PENDING) | CSA 22.2, NO.0,0.4,8 |
| VDE APPROVED (PENDING) | VDE 565-3 |
| OPERATING SPECIFICATIONS: | |
| LINE VOLTAGE/CURRENT: | 20 AMP., 120/250 VAC 16 AMP./40°C, 250 VAC |
| LINE FREQUENCY: | 50-60Hz |
| MAX. LEAKAGE CURRENT, EACH | .50 mA @ 120V 60 Hz .83 mA @ 250V 50 Hz |
| OPERATING AMBIENT TEMP. RANGE: | -10°C TO +40°C @ RATED CURRENT, I _r |
| IN AN AMBIENT, T _a , HIGHER THAN 40°C, THE MAXIMUM OPERATING CURRENT, I _o , IS AS FOLLOWS: | |
| | $I_o = I_r \sqrt{\frac{85-T_a}{45}}$ |

RELIABILITY SPECIFICATIONS:

- | | |
|------------------------|-------------------------------------|
| STORAGE TEMPERATURE: | -40°C TO +85°C |
| HUMIDITY: | 21 DAYS @ 40°C 95% RH |
| CURRENT OVERLOAD TEST: | 6 TIMES RATED CURRENT FOR 8 SECONDS |

TEST SPECIFICATIONS:

- | | |
|---|--------------------------|
| INDUCTANCE: | .54 mH NOMINAL |
| CAPACITANCE: (MEASURED @ 1 KHz, 0.25 VAC MAX., 25°C ±1°C) | |
| LINE TO GROUND: | .0055µF ±20% |
| LINE TO LINE: | 1.08µF ±20% |
| DISCHARGE RESISTOR | 330KΩ |
| LINE/GROUND AND LINE/LINE | 6000 MΩ (MIN) AT 100 VDC |
| INSULATION RESISTANCE | 20°C AND 50% RH |

RECOMMENDED RECEIVING INSPECTION HIPOT:

- | | |
|------------------|-----------------------|
| LINES TO GROUND: | 2250 VDC FOR 1 MINUTE |
| LINE TO LINE: | 1450 VDC FOR 1 MINUTE |

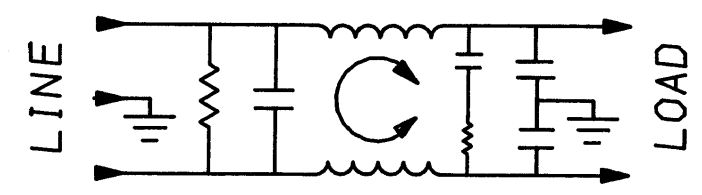
FILTER APPROVAL:

THE BEST WAY TO SELECT AND QUALIFY A FILTER IS FOR YOUR ENGINEERING TO TEST THE UNIT IN YOUR EQUIPMENT.

1 OBSOLETE PARTS: OBSOLETE CIS STREAMLINING PER D.RENAUD/D.SINISI

1-4609034-0 OBSOLETE **1**

1-6609034-0



| | | 50Ω - 50Ω (MINIMUM) INSERTION LOSS | | | | | | | |
|---------------|--|------------------------------------|----|----|----|----|----|----|----|
| FREQUENCY MHz | | .15 | .5 | 1 | 2 | 5 | 10 | 20 | 30 |
| COMMON dB | | 10 | 23 | 30 | 34 | 39 | 44 | 49 | 55 |
| DIFF. dB | | 20 | 43 | 55 | 62 | 65 | 60 | 55 | 55 |

TOLERANCE EXCEPT AS NOTED

DECIMAL: .XXX .XX .X ANGLES ± 1°

ENGLISH: ±.025

METRIC: ±

MATERIAL: AS SUPPLIED

FINISH: AS SUPPLIED



POWER LINE FILTER

This document is proprietary to CORCOM INC. and is not to be reproduced nor used for manufacturing purposes except on CORCOM's order or prior written consent.

| | | | |
|---------|------------|----------|------|
| SCALE | DATE | DRG. NO. | REV. |
| NTS | 11-5-90 | 20VDK6. | 1 |
| DRW. BY | ORIGINATOR | | |
| CFW | CFW | | |