

PLEASE CHECK WWW.MOLEX.COM FOR LATEST PART INFORMATION

Part Number: [0877159903](#)
Status: **Active**
Overview:
Description: 1.00mm (.039") Pitch, PCI Express Connector, 98 Circuits, Nylon 4/6 Glass-filled, Black Housing, Phosphor Bronze, Gold (Au) Flash, with Plastic Pegs, 2.54mm (.100") Solder tail, Connector Link Length 89.00mm (3.504"), Lead Free

Agency Certification

CSA LR19980
 UL E29179

General

Product Family Edge Card Connectors
 Series 87715
 Comments PCI 16 lanes
 Component Type Edgecard to PCB
 Overview pci_express_card_edge_connector
 Product Name PCI Express*

Physical

Circuits (Loaded) 98
 Circuits (maximum) 98
 Circuits Detail All Signal
 Durability (mating cycles max) 50
 Entry Angle Vertical (Top Entry)
 Flammability 94V-0
 Keying to Mating Part Yes
 Material - Plating Mating Gold
 Material - Plating Termination Tin
 PC Tail Length (in) 0.100 In
 PC Tail Length (mm) 2.54 mm
 PCB Locator Yes
 PCB Retention Yes
 PCB Thickness Recommended (in) 0.062 In
 PCB Thickness Recommended (mm) 1.60 mm
 Packaging Type Tray
 Pitch - Mating Interface (in) 0.039 In
 Pitch - Mating Interface (mm) 1.00 mm
 Pitch - Term. Interface (in) 0.039 In
 Pitch - Term. Interface (mm) 1.00 mm
 Polarized to Mating Part Yes
 Temperature Range - Operating -55°C to +85°C
 Termination Interface: Style Through Hole

Electrical

Current - Maximum per Contact 1.1A
 Voltage - Maximum 50V AC (RMS)/DC

Solder Process Data

Lead-free Process Capability Wave Capable (TH only)
 Process Temperature max. C 245

Material Info

Reference - Drawing Numbers

Packaging Specification PK-87715-208
 Sales Drawing SD-87715-208

EU RoHS
ELV and RoHS
Compliant
REACH SVHC
 Not Reviewed
Halogen-Free
Status
Not Reviewed

China RoHS



Need more information on product environmental compliance?

Email productcompliance@molex.com
 For a multiple part number RoHS Certificate of Compliance, [click here](#)

Please visit the [Contact Us](#) section for any non-product compliance questions.

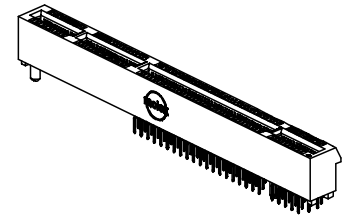
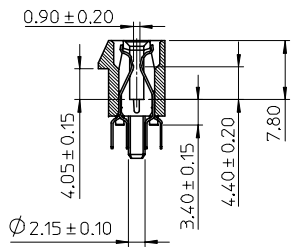
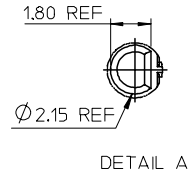
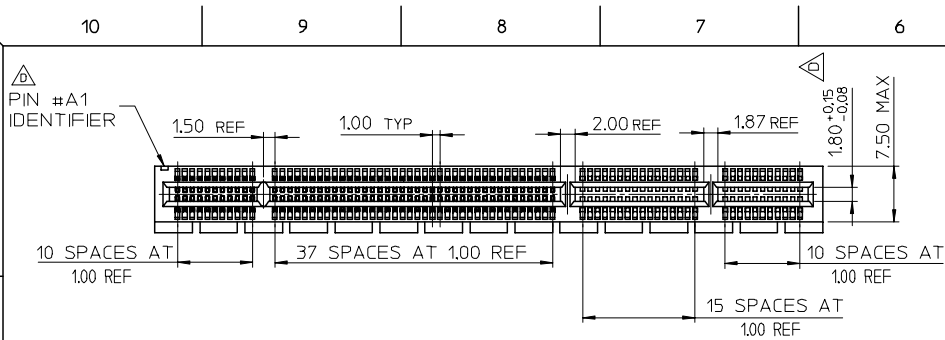
Search Parts in this Series
 87715Series

Mates With
 PCI Express Card

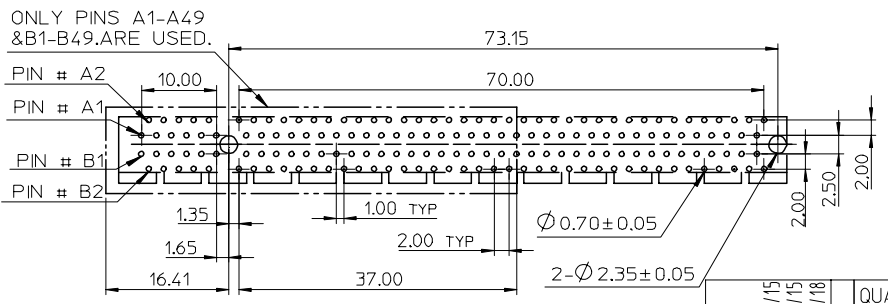
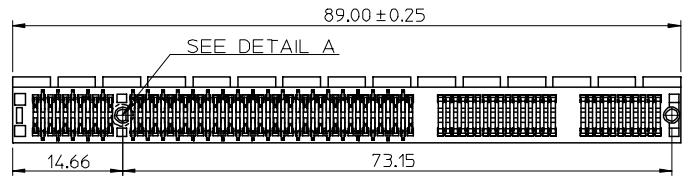
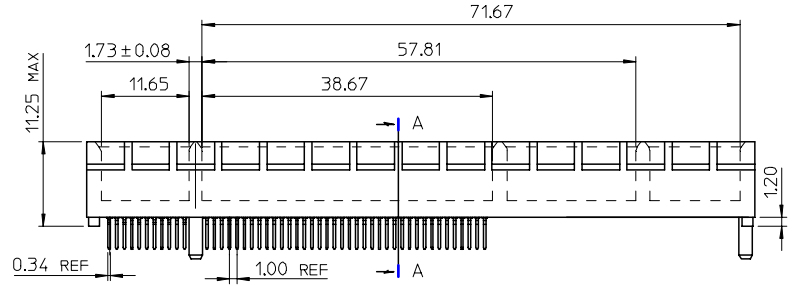
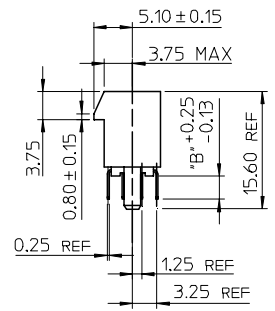
| * PCI Express is a registered trademark of PCI-SIG®

This document was generated on 06/04/2010

PLEASE CHECK WWW.MOLEX.COM FOR LATEST PART INFORMATION



- NOTES:
- MATERIALS:
1-1.HOUSING:SEE TABLE, 30% GLASS FIBER FILLED UL94V-0
COLOR:SEE TABLE
 - PLATING:
2-1.CONTACT AREA:SEE TABLE
2-2.SOLDER TAIL:SEE TABLE
2-3.UNDER PLATING:SEE TABLE
 - DATE CODE:TO BE PRINTED
 - PRODUCT SPECIFICATION REFER TO PS-87715-200
 - PACKAGE SPECIFICATION REFER TO PK-87715-203
 - TEST SUMMARY:REFER TO TS-87715-203
 - LEAD FREE AND RoHS COMPLIANT PRODUCT.



MOLEX P/N	CIRCUIT SIZE	HOUSING MATERIAL	HOUSING COLOR	TERMINAL MATERIAL	CONTACT PLATING	SOLDER TAIL PLATING	DIM"B"
87715-9902							2.30
87715-9903	N/A	NYLON46	BLACK	PHOSPHOR BROZNE	GOLD FLASH	100 MICROINCH MIN TIN OVER 50 MICROINCH NICKEL OVERALL	2.54
87715-9904							3.00
87715-9905							2.30
87715-9906	N/A	NYLON46	BLACK	PHOSPHOR BROZNE	GOLD 15 MICROINCH	100 MICROINCH MIN TIN OVER 50 MICROINCH NICKEL OVERALL	2.54
87715-9907							3.00

EMR 2006-0005 & 0019
 EC NO: SH2006-0100
 DRWN:ALLIN 2006/05/15
 CHKD: 2006/05/15
 APPR:WISCHANG 2006/05/18

REV	DESCRIPTION
D	

QUALITY SYMBOLS	
▽=0	
▽=0	

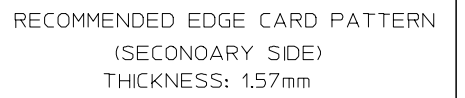
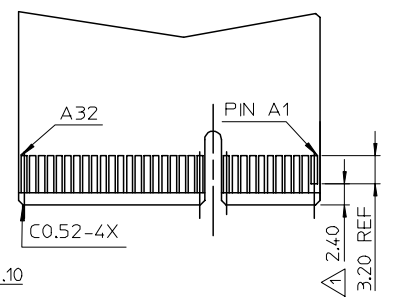
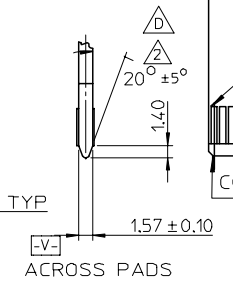
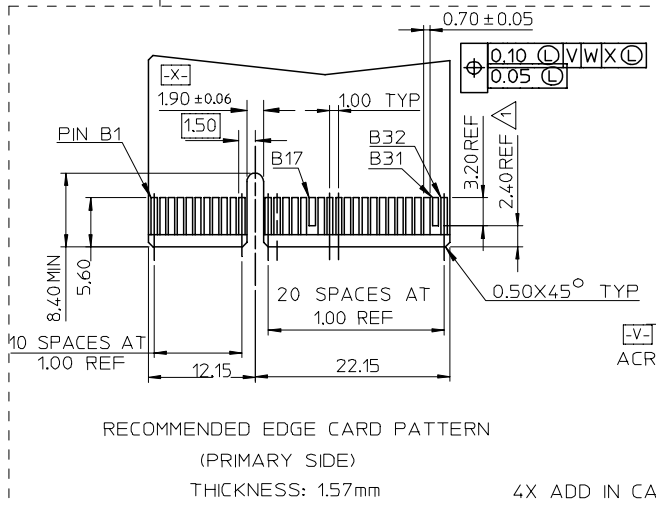
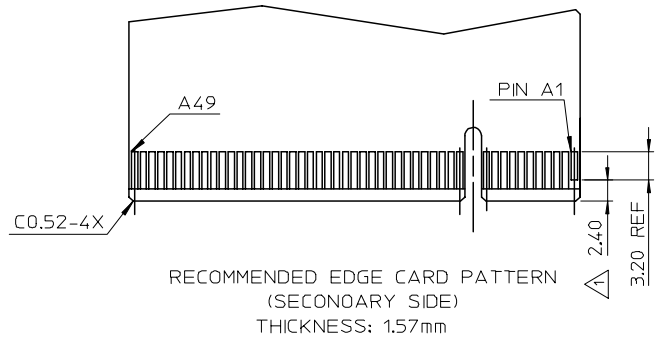
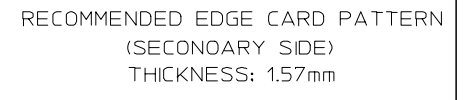
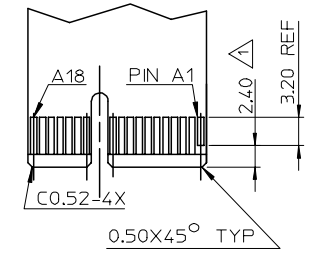
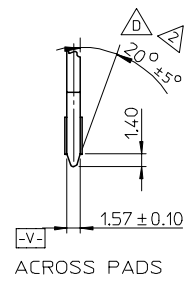
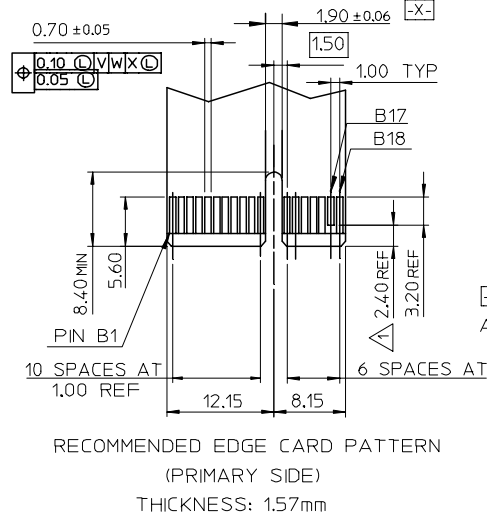
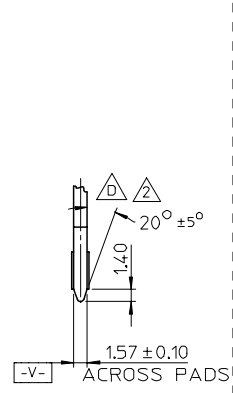
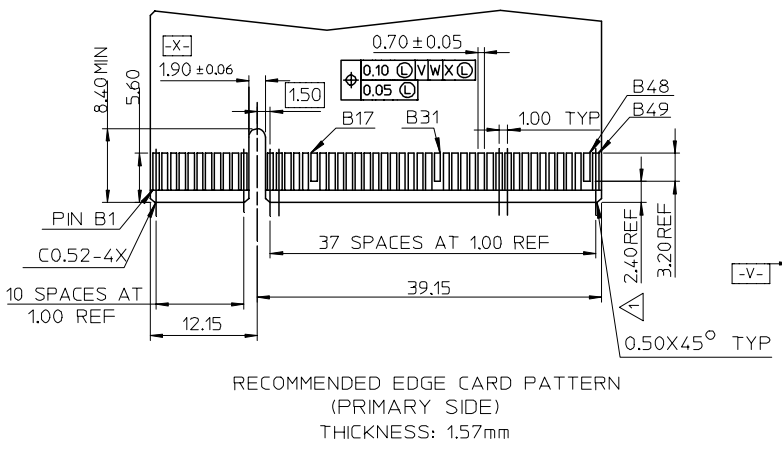
GENERAL TOLERANCES (UNLESS SPECIFIED)	
mm	INCH
4 PLACES ± ---	± ---
3 PLACES ± ---	± ---
2 PLACES ± 0.25	± ---
1 PLACE ± 0.25	± ---
ANGULAR ± 3 °	

DIMENSION STYLE		SCALE	DESIGN UNITS	THIRD ANGLE PROJECTION	
MM ONLY			METRIC		
DRAWN BY	DATE	TITLE	PCI EXPRESS X16 LOAD 98 CKT CONNECTOR (LEAD FREE VERSION)		
TOM	2004/10/15	△			
CHECKED BY	DATE				
ALLEN LIN	2004/10/26		MOLEX INCORPORATED		
APPROVED BY	DATE				
WILSON CHANG	2004/10/26		DOCUMENT NO.	SHEET NO.	
MATERIAL NO.		SEE TABLE	SD-87715-208	1 OF 2	

10 9 8 7 6 5 4 3 2 1

F
E
D
C
B
A

F
E
D
C
B
A



- △ NO TIE BAR PERMITTED FROM CARD EDGE TO LEADING EDGE OF PAD FOR THE HOT PLUG PINS
- △ CHAMFER EDGES MUST BE FREE OF CUTTING BURRS.

SEE SHEET 1 EC NO: SH2006-0100 DRWN: ALLIN CHKD: APPR: WWSCHANG	2006/05/15 2006/05/15 2006/05/18	DESCRIPTION REV	QUALITY SYMBOLS	GENERAL TOLERANCES (UNLESS SPECIFIED) mm INCH 4 PLACES ± --- ± --- 3 PLACES ± --- ± --- 2 PLACES ± 0.25 ± --- 1 PLACE ± 0.25 ± --- ANGULAR ± 3°	DIMENSION STYLE	SCALE	DESIGN UNITS	THIRD ANGLE PROJECTION
			=0 $\triangle C=0$		MM ONLY	METRIC	□ ◻	
					DRAWN BY	TITLE	PCI EXPRESS X16 LOAD 98 CKT CONNECTOR (LEAD FREE VERSION)	
					DATE	DATE		
	APPROVED BY	DATE	MOLEX INCORPORATED					
	DATE	DATE						
			MATERIAL NO.	DOCUMENT NO.	SHEET NO.			
			SEE TABLE	SD-87715-208	2 OF 2			
			DRAFT WHERE APPLICABLE MUST REMAIN WITHIN DIMENSIONS					
			THIS DRAWING CONTAINS INFORMATION THAT IS PROPRIETARY TO MOLEX INCORPORATED AND SHOULD NOT BE USED WITHOUT WRITTEN PERMISSION					

9 8 7 6 5 4 3 2 1