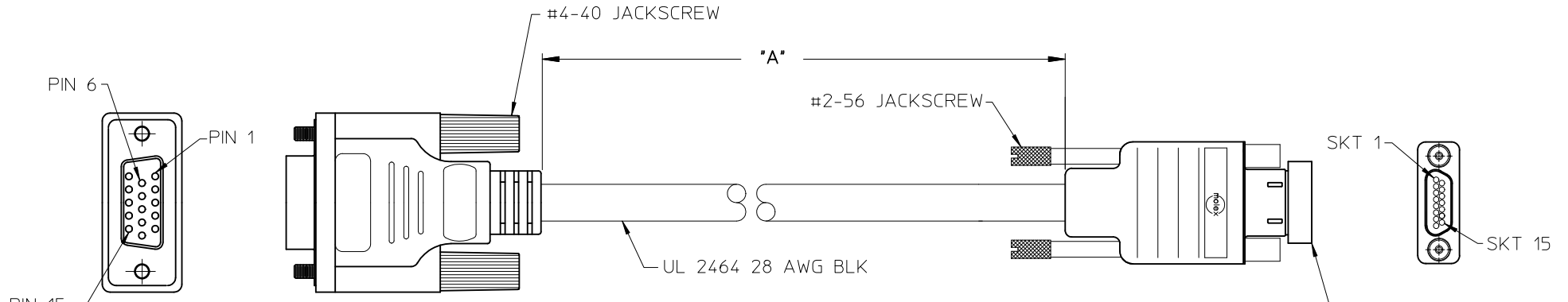


10	9	8	7
MATERIAL NO.	ENGINEERING NO.	DIM "A"	
834229059	83422-9059	18/457.2 ±.50/12.7	
834229060	83422-9060	36/914.4 ±.50/12.7	
834229061	83422-9061	72/1828.8 ±.50/12.7	



P2
D-SUB PIN

P1		P2	
1	BLACK	1	
2	BROWN	2	
3	RED	3	
4	ORANGE	4	
5	YELLOW	5	
6	GREEN	6	
7	BLUE	7	
8	PURPLE	8	
9	GRAY	9	
10	WHITE	10	
11	W/BLK	11	
12	W/BRN	12	
13	W/RED	13	
14	W/ORG	14	
15	W/YEL	15	
SHELL	D.W+BD	SHELL	

Ⓢ SHIPPING PLUG
DISCARD PRIOR TO CONNECTION
(NOT SHOWN OF SIDE VIEW)

P1
MICRO-D SOCKET

SALES DRAWING

NOTES:

- REFER TO PS-83421-001 FOR PRODUCT SPEC.
- RoHS COMPLIANT

UPDATE DOC EC NO: WNA2012-0102 DRW: BRUPERT 2011/08/12 CHKD: APPR: JFURPHY 2012/03/03 DESCRIPTION REV	QUALITY SYMBOLS	GENERAL TOLERANCES (UNLESS SPECIFIED)	DIMENSION STYLE	SCALE	DESIGN UNITS	THIRD ANGLE PROJECTION
	▽=0 ▽=0	mm INCH 4 PLACES ± --- ± --- 3 PLACES ± --- ± --- 2 PLACES ± --- ± --- 1 PLACE ± --- ± --- ANGULAR ±1/2°	IN/MM		INCH	
		DRAFT WHERE APPLICABLE MUST REMAIN WITHIN DIMENSIONS	DRAWN BY DATE JLMASTR 04/10/18 CHECKED BY DATE REDROSS 04/10/19 APPROVED BY DATE RDEROSS 04/10/20	TITLE	CABLE ASSEMBLY CMD 15 POS SOCKET TO 15 POS D-SUB PIN	
			MATERIAL NO.	SEE CHART	DOCUMENT NO.	MOLEX INCORPORATED SD-83422-015
			SIZE B	THIS DRAWING CONTAINS INFORMATION THAT IS PROPRIETARY TO MOLEX INCORPORATED AND SHOULD NOT BE USED WITHOUT WRITTEN PERMISSION		
					SHEET NO.	1 OF 1