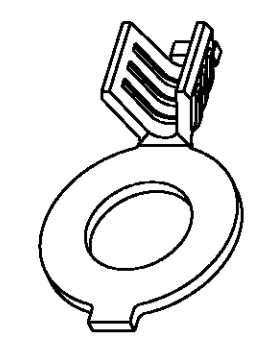
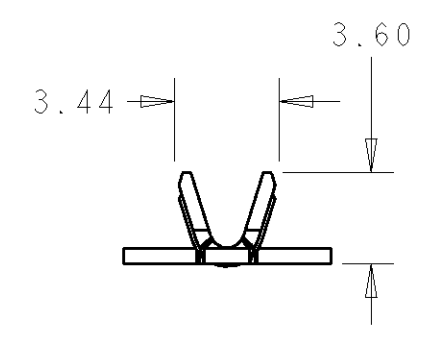
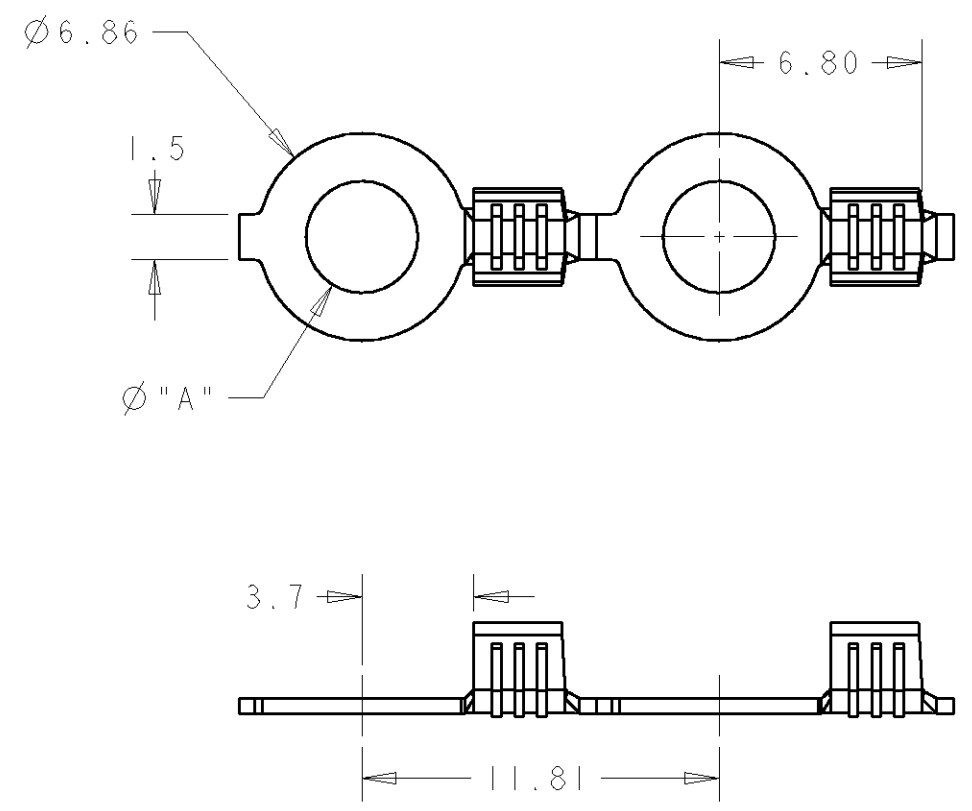


THIS DRAWING IS UNPUBLISHED. RELEASED FOR PUBLICATION 20
 © COPYRIGHT 20 BY TYCO ELECTRONICS CORPORATION. ALL RIGHTS RESERVED.

LOC	DIST	REVISIONS					
E	B	P	LTR	DESCRIPTION	DATE	DWN	APVD
			C	ECR-08-023397	14/09/08	MJG	JA
			C1	ECR-10-000003	25MAR10	RK	SRE



NOTES:

- ① LUBRICATED
- ② ELECTROPLATE SILVER
- ③ SPLICE FREE
- ④ ELECTROPLATE NICKEL
- ⑤ PAPER INTERLEAVE
- ⑥ REELED WITH WIRE BARREL LEGS DOWNWARDS
- ⑦ ELECTROPLATE TIN

8. WIRE RANGE 0.5 - 1.50mm (16-20 AWG)

	4.3	4.0mm	NICKEL	④	STEEL 100-021 T4	142535-2
	4.3	4.0mm	PLAIN	①	STEEL 100-021 T4	142535-1
OBSOLETE	3.68	3.5mm	SILVER	②	BRASS100-86 TI	140764
	4.3	4.0mm	TIN	⑦	BRASS100-86 TI	140636-1 ③
	4.3	4.0mm	TIN	⑦	BRASS100-86 TI	140636 ⑤
	4.3	4.0mm	PLAIN	①	BRASS100-86 TI	140635-1 ⑥
	4.3	4.0mm	PLAIN	①	BRASS100-86 TI	140635
OBSOLETE	3.68	3.5mm	TIN	⑦	BRASS100-86 TI	140634
OBSOLETE	3.68	3.5mm	PLAIN	①	BRASS100-86 TI	140633
OBSOLETE	3.02	3.0mm	TIN	⑦	BRASS100-86 TI	140632
	3.02	3.0mm	PLAIN		BRASS100-86 TI	140631-1 ⑥
OBSOLETE	3.02	3.0mm	PLAIN		BRASS100-86 TI	140631
	A DIA	STUD DIA	FINISH		MATERIAL	PART NO

<small>THIS DRAWING IS A CONTROLLED DOCUMENT FOR TYCO ELECTRONICS CORPORATION IT IS SUBJECT TO CHANGE AND THE CONTROLLING ENGINEERING ORGANIZATION SHOULD BE CONTACTED FOR THE LATEST REVISION.</small>		DWN M GREENER 14/09/08 CHK J AMBROSE 14/09/08 APVD J AMBROSE 14/09/08	Tyco Electronics Bideford, Devon England EX39 4HE
DIMENSIONS: mm 	TOLERANCES UNLESS OTHERWISE SPECIFIED: 0 PLC ±0.5 1 PLC ±0.5 2 PLC ±0.5 3 PLC ±0.5 4 PLC ± ANGLES ±2 FINISH SEE TABLE	PRODUCT SPEC APPLICATION SPEC 114-3118 WEIGHT	NAME RING TONGUE TERMINAL SIZE CAGE CODE DRAWING NO RESTRICTED TO A300779 C-140631
MATERIAL SEE TABLE	FINISH SEE TABLE	CUSTOMER DRAWING	SCALE NTS SHEET 1 OF 1 REV C1