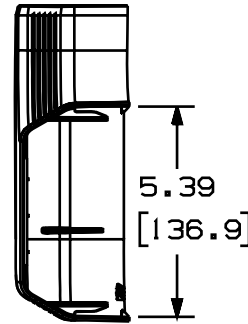
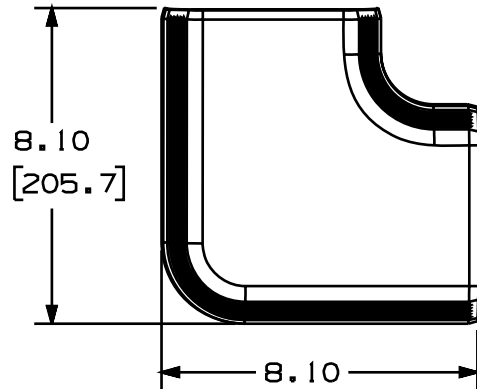


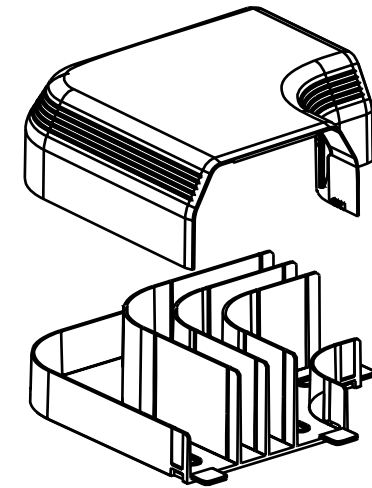
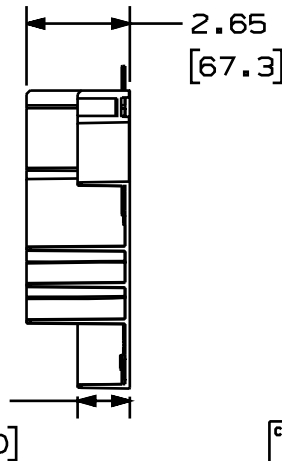
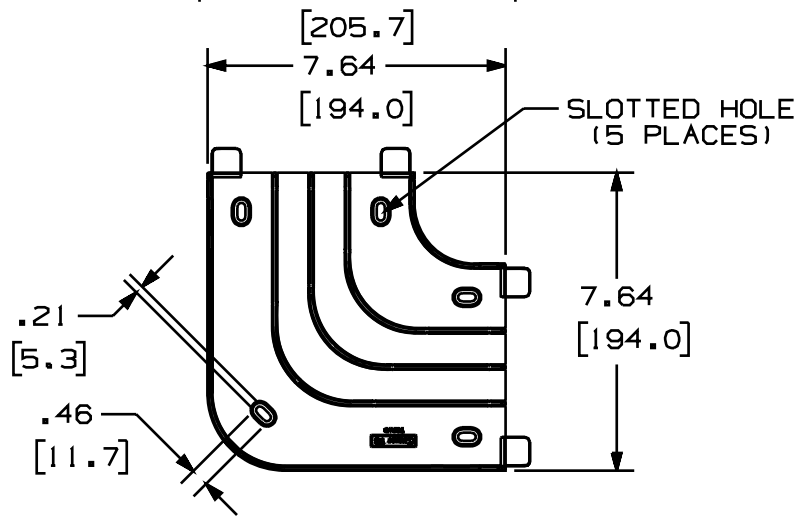
THIS COPY IS PROVIDED ON A RESTRICTED BASIS AND IS NOT TO BE USED IN ANY WAY DETRIMENTAL TO THE INTERESTS OF PANDUIT CORP.

PANDUIT P/N	WEIGHT
TGRA	12.96 LB/10 PCS. (5880g/10 PCS.)



**NOTES:**

1. SEE CURRENT CATALOG FOR ADDITIONAL PART SUFFIXES TO INDICATE COLOR AND OR PACKAGE QUANTITY.
2. THIS PRODUCT IS INTENDED TO BE USED TO JOIN SECTIONS OF TG RACEWAY TO MAKE 90° (RIGHT ANGLES).
3. DIMENSIONS IN PARENTHESIS ARE IN METRIC.



CAD FILENAME/LAYERS D37270BB\_DC\_TGRA\_00A.prt

**PANDUIT** CORP. TINLEY PARK, ILLINOIS  
**TG RIGHT ANGLE (TGRA)**  
 CUSTOMER DRAWING

UNLESS OTHERWISE SPECIFIED,  
 DIMENSIONAL TOLERANCES ARE:  
 (.X) ± (.XXX) ± .010(.3)  
 (.XX) ± .03(.8) ANGLES ±

UNLESS OTHERWISE SPECIFIED,  
 ALL DIMENSIONS ARE GIVEN  
 IN INCHES, THIRD ANGLE PROJECTION.

DRAWN BY MSO	MAT'L: PVC	SCALE NONE
DATE 4-5-00		DRAWING NO. 37270-53
CHECKED BY CAZ		DWG A SIZE

REV	DATE	BY	CHK	DESCRIPTION	ECN	CHK	CUST	SUP
R	4-5-00	MSO	CAZ	RELEASED TO PRODUCTION.	37270-53	HIW	HIW	