

4

3

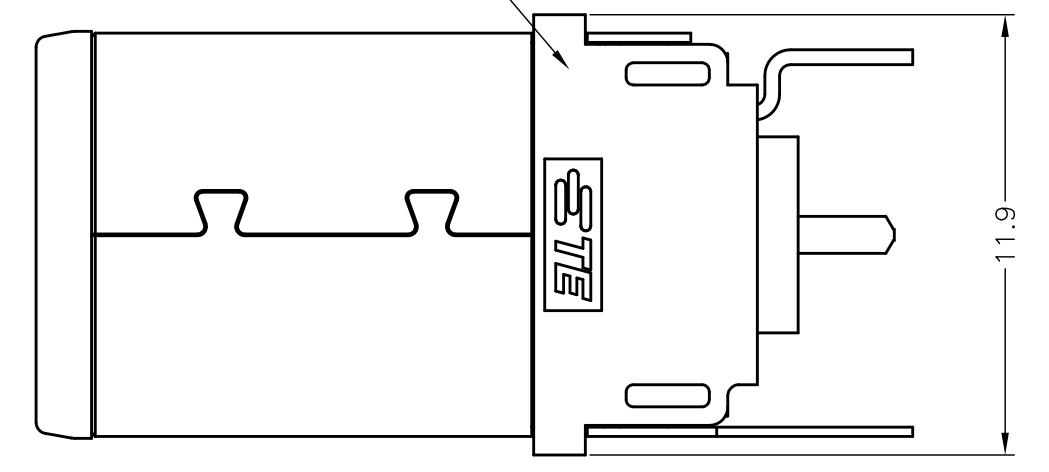
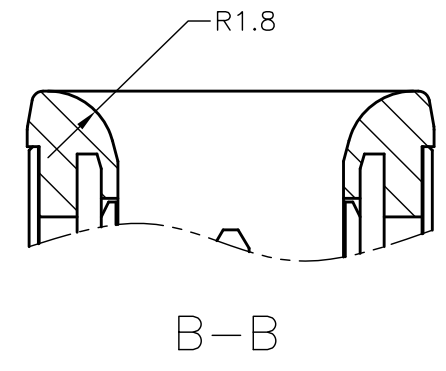
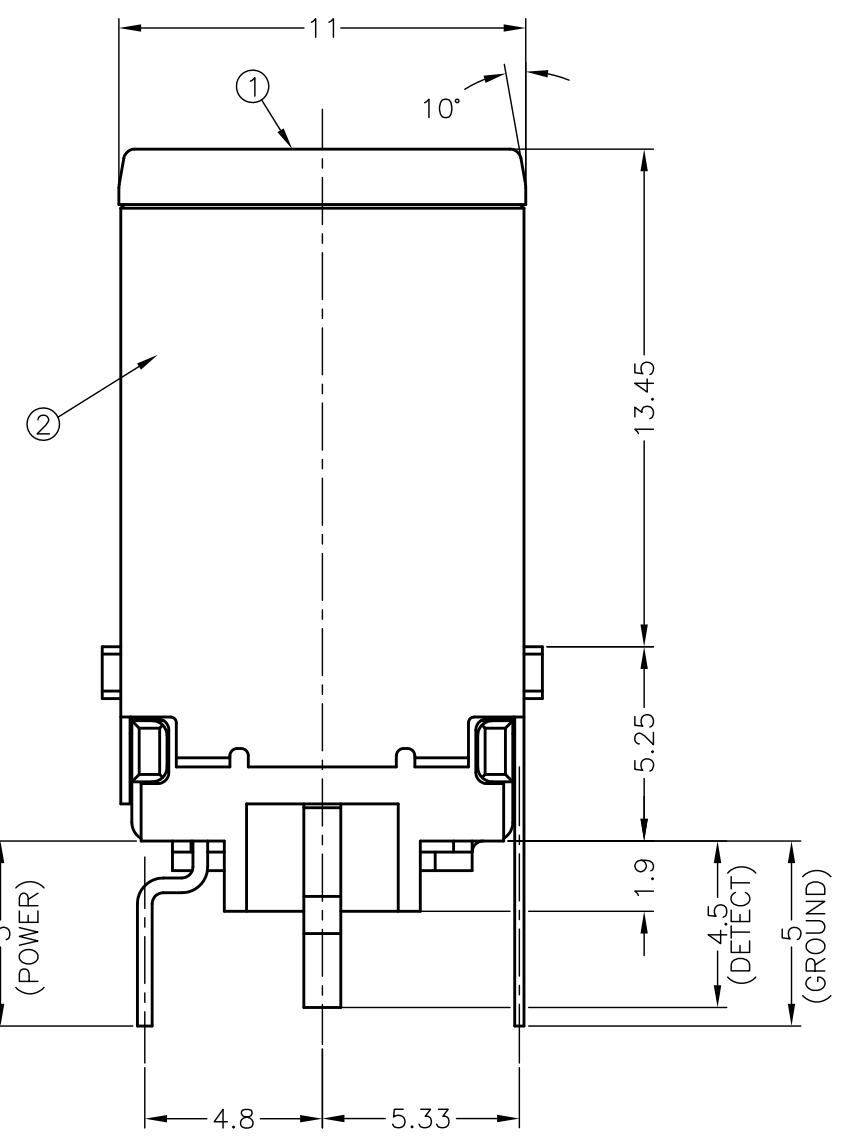
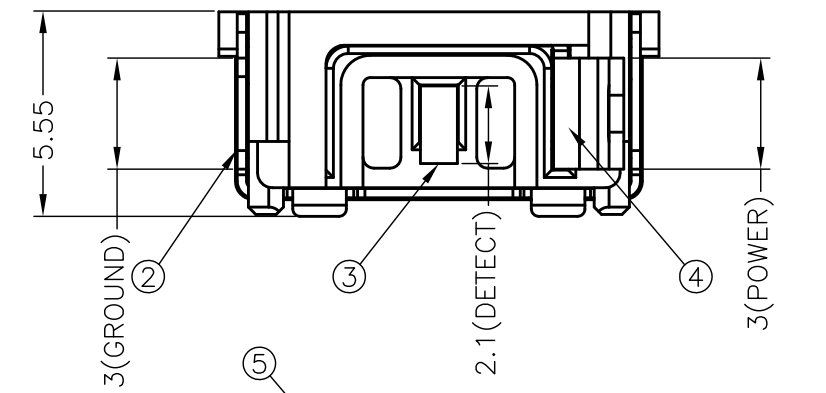
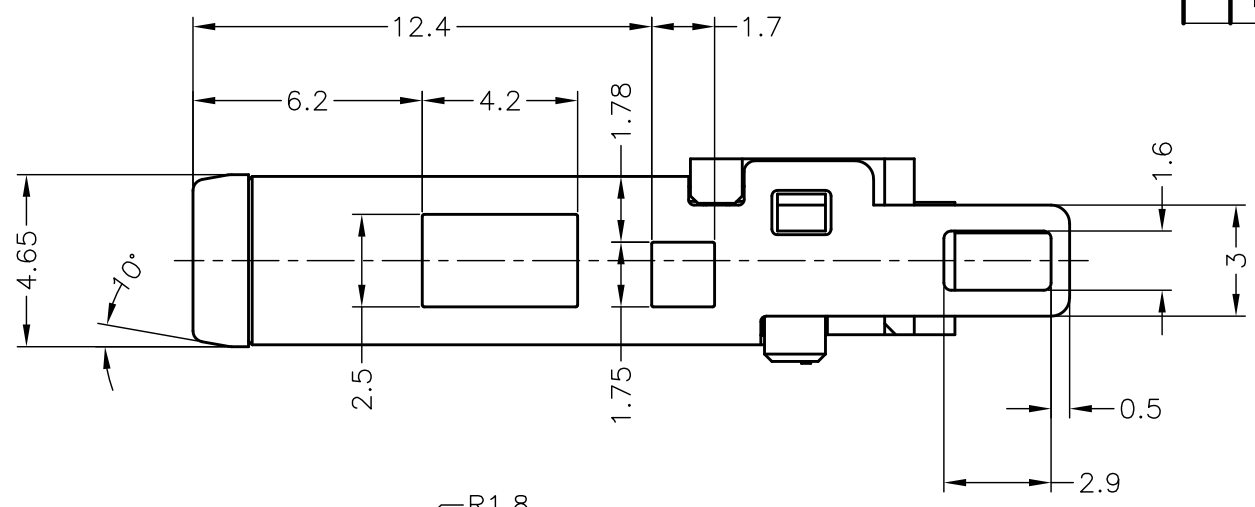
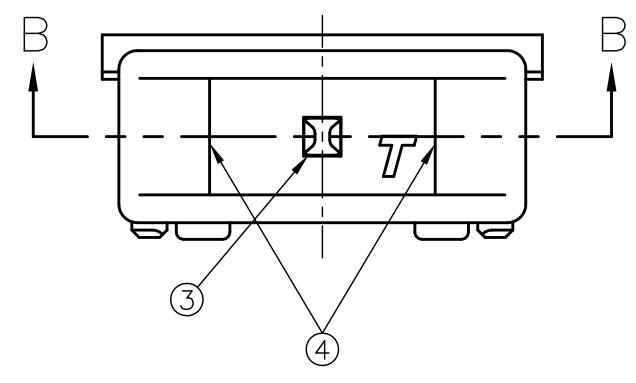
2

1

THIS DRAWING IS UNPUBLISHED. RELEASED FOR PUBLICATION
 © COPYRIGHT - By - ALL RIGHTS RESERVED.

LOC	DIST	REVISIONS			
P	LTR	DESCRIPTION	DATE	DWN	APVD
DW	/	B3	REVISED (ECR-13-009702)	3APR13	S.H V.P

VIEW A



VIEW A (CW90°)

A'SSY	P/N	Q'TY	FINISH/COLOR	MATERIAL	PART NAME	NO
1	1-2129334-1		NATURAL	THERMOPLASTIC (UL94V-0)	REAR HOUSING	⑤
1	2129334-1		0.0002mm GOLD PLATING ON CONTACT AREA, 0.002mm MATTE TIN PLATING ON SOLDER AREA, 0.002mm MIN. NICKEL UNDERPLATED ALL OVER	COPPER ALLOY	POWER CONTACT	④
1			0.0002mm GOLD PLATING ON CONTACT AREA, 0.002mm MATTE TIN PLATING ON SOLDER AREA, 0.002mm MIN. NICKEL UNDERPLATED ALL OVER	COPPER ALLOY	DETECT CONTACT	③
1			0.002mm MATTE TIN PLATING ON SOLDER AREA, 0.002mm MIN. NICKEL UNDERPLATED ALL OVER	COPPER ALLOY	GROUND CONTACT	②
1			YELLOW	THERMOPLASTIC (UL94V-0)	HOUSING	①

THIS DRAWING IS A CONTROLLED DOCUMENT.

DWN S.HUANG 24FEB2012
 CHK V.PENG 24FEB2012
 APVD W.KODAMA 24FEB2012

DIMENSIONS: mm

TOLERANCES UNLESS OTHERWISE SPECIFIED:
 0 PLC ±
 1 PLC ±
 2 PLC ±0.25
 3 PLC ±3°
 4 PLC ±
 ANGLES ±

MATERIAL SEE TABLE

FINISH

PRODUCT SPEC

APPLICATION SPEC

WEIGHT

CUSTOMER DRAWING

STE TE Connectivity

NAME

DC POWER PLUG CONNECTOR

SIZE A3 CAGE CODE 00779 DRAWING NO. 2129334 RESTRICTED TO

SCALE 5:1 SHEET 1 OF 2 REV B3

THIS DRAWING IS UNPUBLISHED.

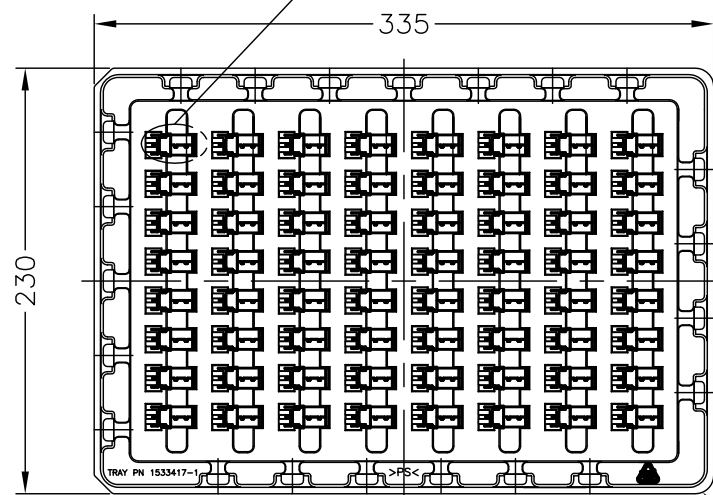
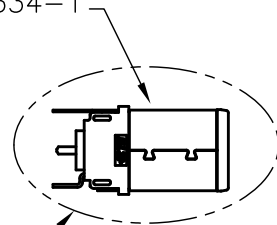
RELEASED FOR PUBLICATION

ALL RIGHTS RESERVED.

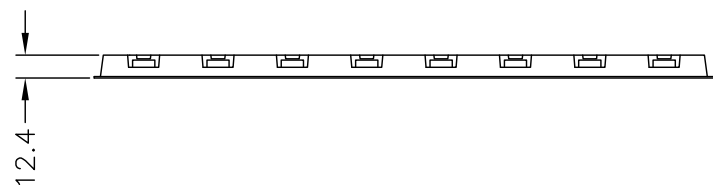
© COPYRIGHT - By -

LOC	DIST	REVISIONS			
P	LTR	DESCRIPTION	DATE	DWN	APVD
-	-	SEE SHEET 1	-	-	-

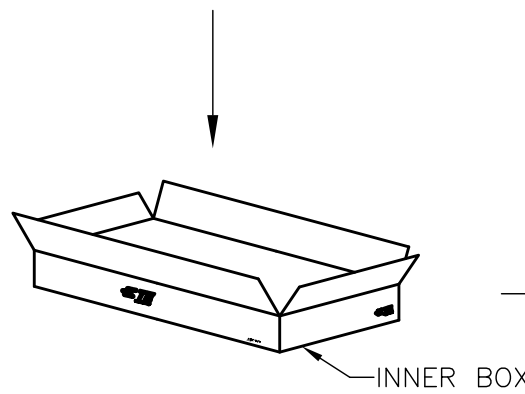
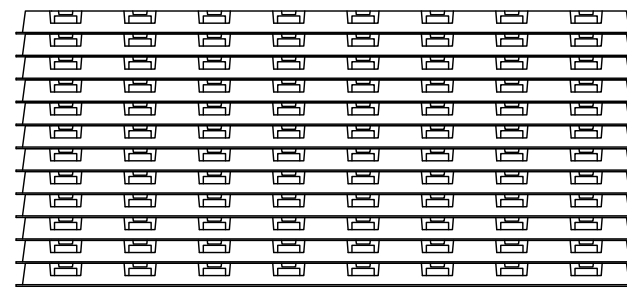
DC POWER PLUG CONNECTOR
TE P/N: 1-2129334-1



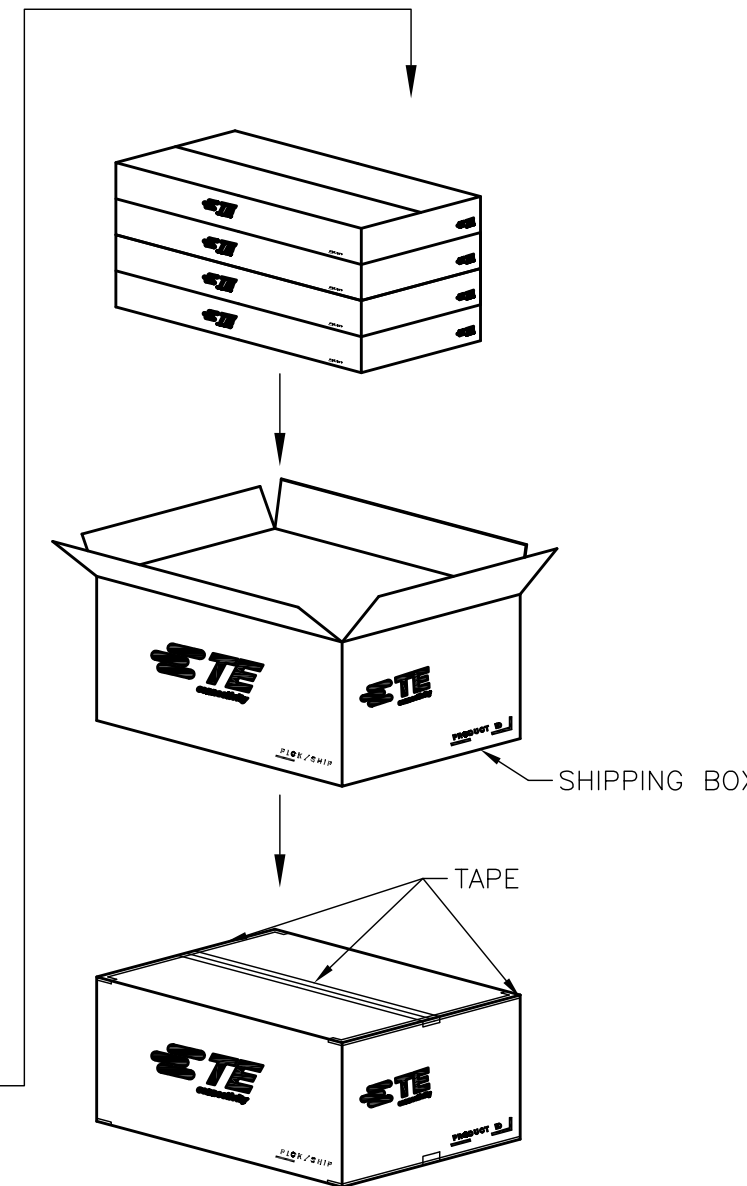
TRAY



- INNER BOX DIMENSION: 340mmX243mmX111mm
 - SHIPPING BOX DIMENSION: 505mmX350mmX248mm
 - EU ROHS-RELATED RESTRICTED SUBSTANCE SPEC IN HOMOGENEOUS MATERIAL REFER TO TEC-138-702 REV.G:
LEAD < 1000PPM, CADMIUM < 100PPM, MERCURY < 1000PPM
CHROMIUM VI < 1000PPM, PBB <1000PPM, PBDE < 1000PPM
 - HALOGEN FREE SPEC:
CHLORINE (Cl): 900 ppm MAX.
BROMINE (Br): 900 ppm MAX.
CHLORINE (Cl) + BROMINE (Br): 1500 ppm MAX.
- △ PRODUCT SPEC:
108-99035 FOR 7A CURRENT RATING.
108-99040 FOR 10.7A CURRENT RATING.



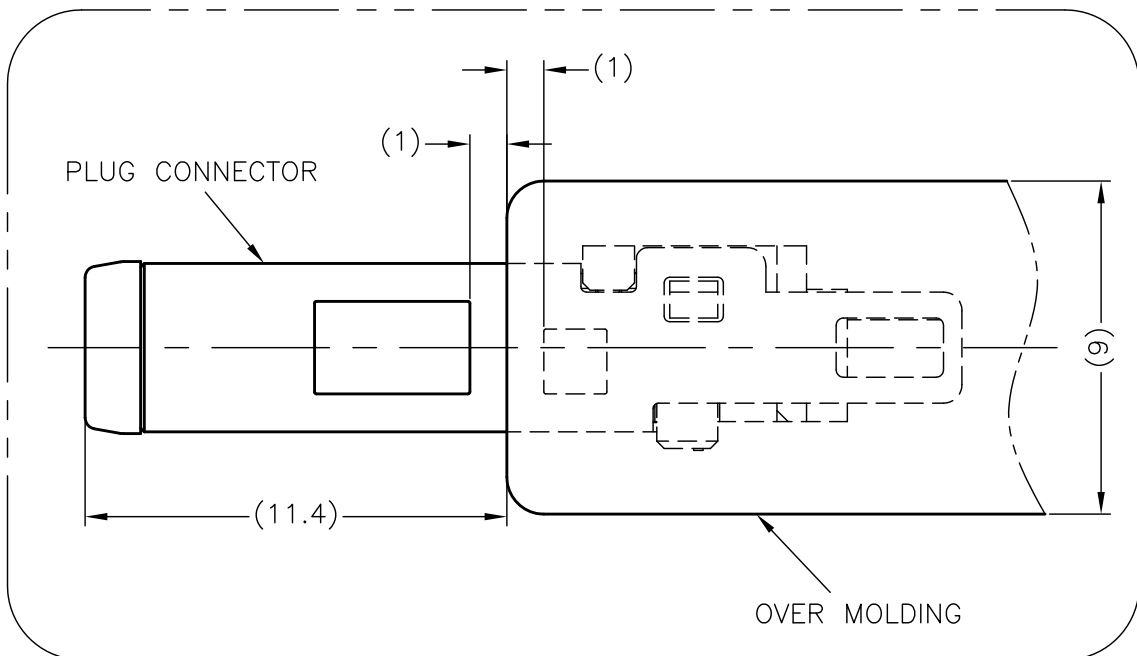
INNER BOX



SHIPPING BOX

TAPE

64	768	4	3072
PCS/TRAY	PCS/INNER BOX	INNER BOX/SHIPPING BOX	TOTAL Q'TY



OVER MOLDING

THIS DRAWING IS A CONTROLLED DOCUMENT.		DWN	STE TE Connectivity	
DIMENSIONS: mm		CHK	NAME	
TOLERANCES UNLESS OTHERWISE SPECIFIED:		APVD	DC POWER PLUG CONNECTOR	
0-PLC ± -		PRODUCT SPEC	SIZE	CAGE CODE
1-PLC ± -		APPLICATION SPEC	A3	00779
2-PLC ± - ±0.25		WEIGHT	DRAWING NO	
3-PLC ± - ±3°		CUSTOMER DRAWING	C-2129334	
4-PLC ± -		SCALE	NA	SHEET
ANGLES ± -		NA	2	OF 2
MATERIAL		REV	B3	
FINISH				