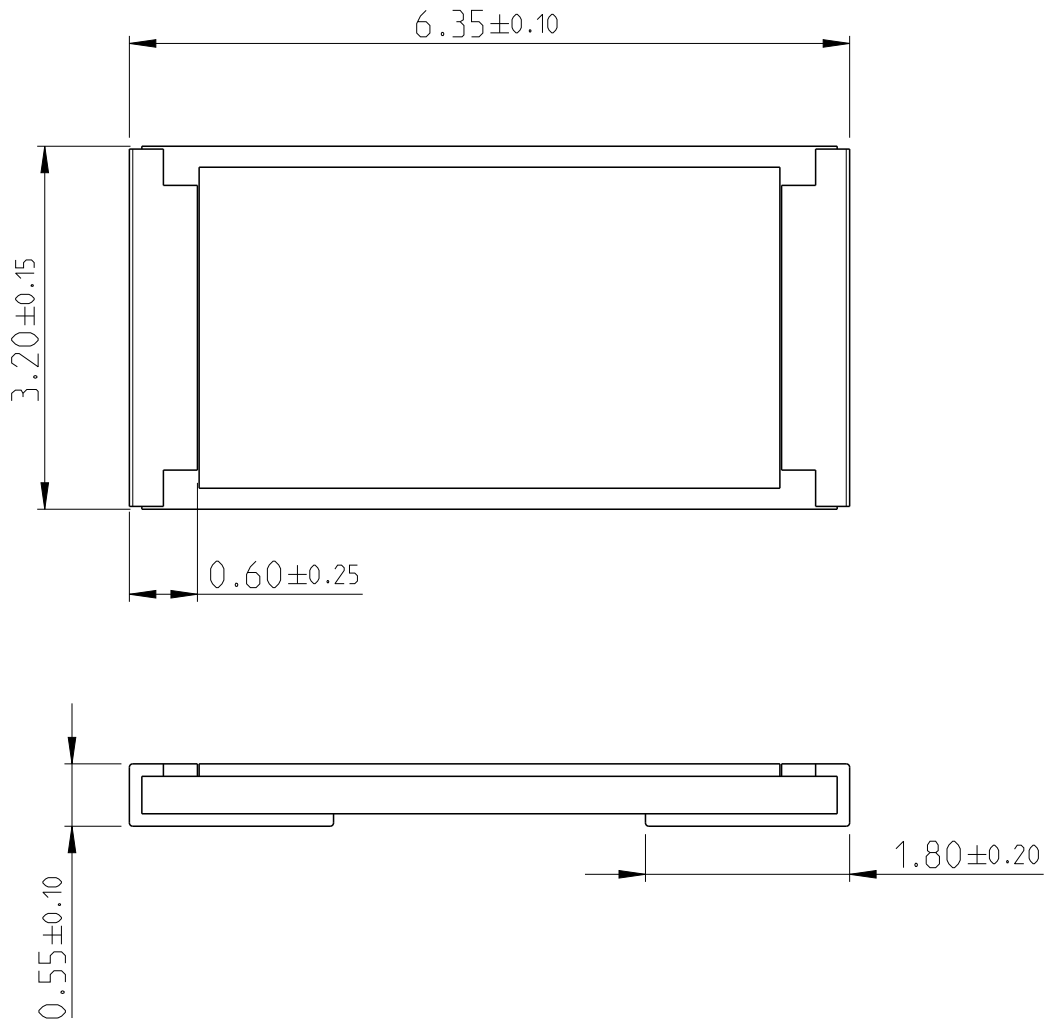
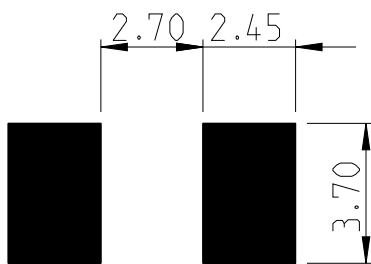


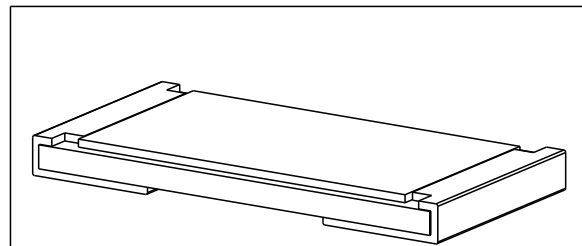
LOC	DIST	REVISIONS					
-	-	P	LTR	DESCRIPTION	DATE	DWN	APVD
		BB1	ECR-15-009470		23JUN2015	KR	TN



FOR FURTHER INFORMATION SEE PRODUCT SPECIFICATION FOR CRGH SERIES




RoHS Compliant



PCB LAYOUT PLAN

20
 RELEASED FOR PUBLICATION
 ALL RIGHTS RESERVED.
 BY -
 COPYRIGHT 20

DIMENSIONS: mm	DWN RAGHAVENDRA K	27JUN2012	MATERIAL	-	FINISH	-
	CHK ALLAN P	27JUN2012	 TE Connectivity			
TOLERANCES UNLESS OTHERWISE SPECIFIED:	APVD TONY N	27JUN2012				
0 PLC ±	PRODUCT SPEC	-	NAME SMD POWER RESISTORS - TYPE CRGH2512 SERIES			
1 PLC ±0.5	-	-	SIZE	CAGE CODE	DRAWING NO	RESTRICTED TO
2 PLC ±0.13	APPLICATION SPEC	-	A 4	00779	C-1879524	-
3 PLC ±0.013	-	-	Customer Drawing			
4 PLC ±0.0001	WEIGHT	-	SCALE	40:1	SHEET 1 OF 1	REV BB1
ANGLES ±	