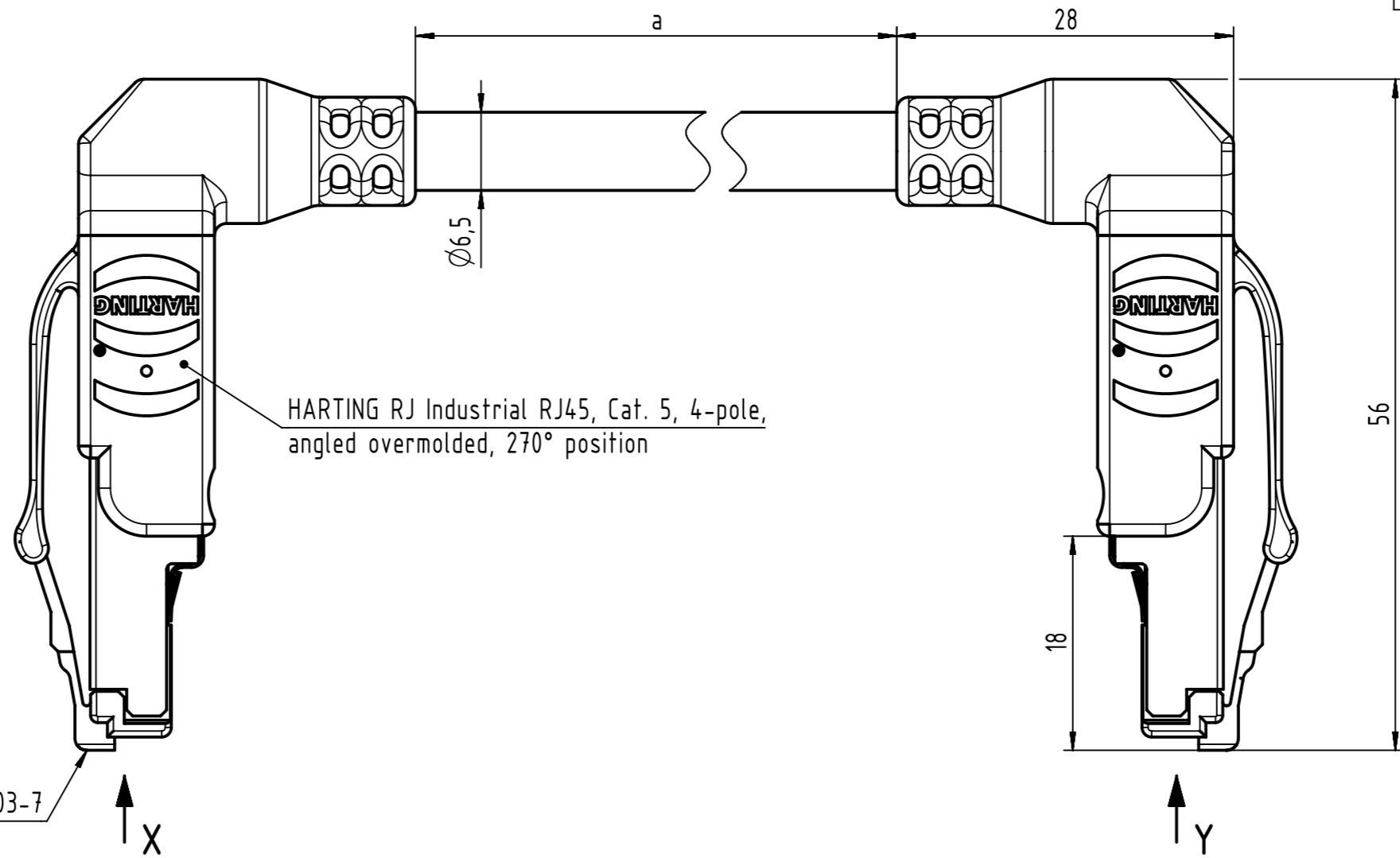


Connector Location A

Connector Location B



HARTING RJ Industrial RJ45, Cat. 5, 4-pole, angled overmolded, 270° position

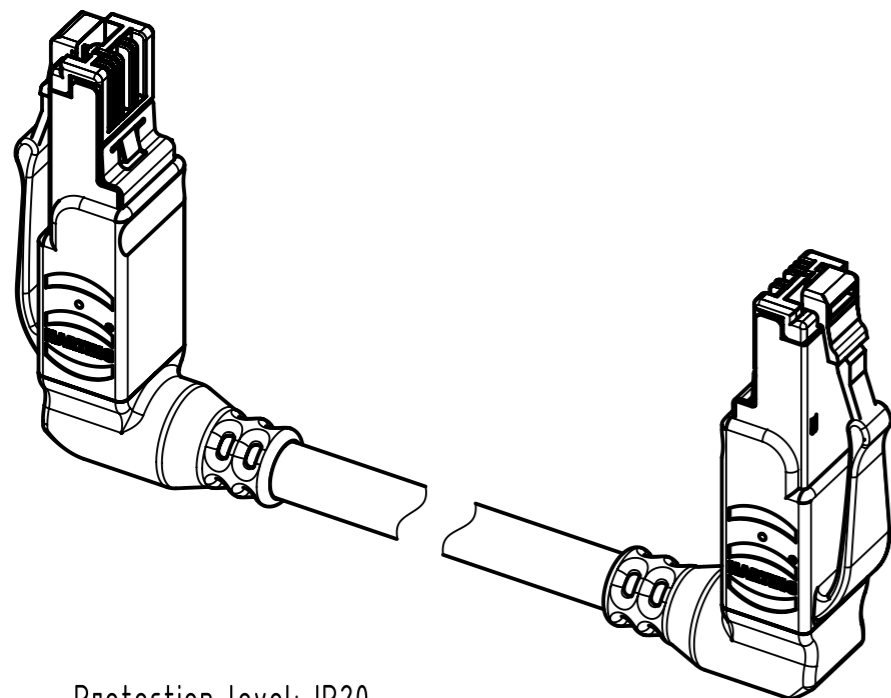
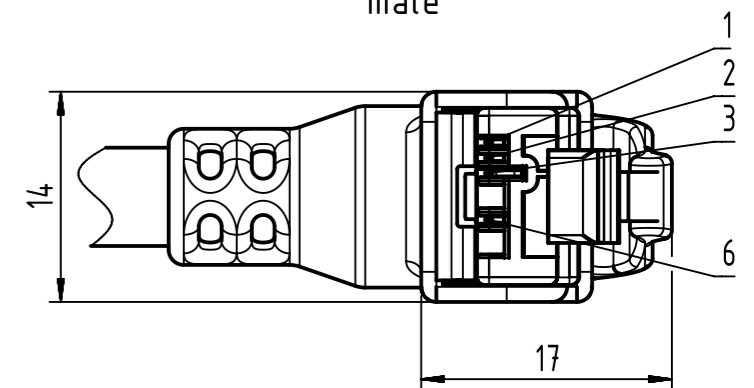
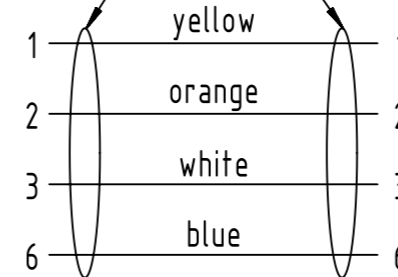
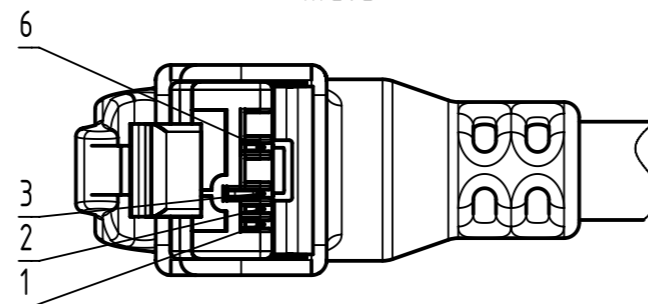
Mating face RJ45 acc. to IEC 60603-7

Loading-Plan

X male

Shield

Y male




- Protection level: IP20
- Temperature range: -40°C ... +70°C

	All Dimensions in mm	Tech. Character.		Free size tol.		According to production drawing	
	All rights reserved Department HCS - RO	Created by STOCHECIC Stochei	Inspected by COSTEA Costea	Standardisation MUNTEANV Muntean	Date 2018-05-29	State Final Release	
HARTING Customised Solutions D-32339 Espelkamp		Title RJ Industrial Cable Assembly				Doc-Key / ECM-Nr. 100155505/UGD/009/C 500000135635	
		Type TB	Number 09470303XXX			Rev. C	Page 1/2

1	2	3	4
45	09470303044	RJl Ethernet stranded cable, 4xAWG22/7, PVC, Cat. 5+, green	100
44	09470303043		90
43	09470303042		80
42	09470303041		70
41	09470303040		60
40	09470303039		50
39	09470303038		40
38	09470303037		30
37	09470303036		20
36	09470303035		15
35	09470303134		12
34	09470303034		10
33	09470303033		9
32	09470303032		8
31	09470303031		7
30	09470303030		6
29	09470303029		5
28	09470303028		4
27	09470303027		3
26	09470303026		2
25	09470303025		1.5
24	09470303024		1
23	09470303023		0.5
22	09470303022	RJl Ethernet standard cable, AWG22/1, 2x2x0.64, PVC, Cat. 5+, green	100
21	09470303021		90
20	09470303020		80
19	09470303019		70
18	09470303018		60
17	09470303017		50
16	09470303016		40
15	09470303015		30
14	09470303014		20
13	09470303013		15
12	09470303012		10
11	09470303011		9
10	09470303010		8
9	09470303009	7	
8	09470303008	6	
7	09470303007	5	
6	09470303006	4	
5	09470303005	3	
4	09470303004	2	
3	09470303003	1.5	
2	09470303002	1	
1	09470303001	0.5	
Cont. no.	Part no.	Type of cable	Dim. a[m]

89	09470303088	RJl Ethernet stranded cable, AWG22/7, 2x2x0.75, outdoor, PVC, Cat. 5+, black	100
88	09470303087		90
87	09470303086		80
86	09470303085		70
85	09470303084		60
84	09470303083		50
83	09470303082		40
82	09470303081		30
81	09470303080		20
80	09470303079		15
79	09470303078		10
78	09470303077		9
77	09470303076		8
76	09470303075		7
75	09470303074		6
74	09470303073		5
73	09470303072		4
72	09470303071		3
71	09470303070		2
70	09470303069		1.5
69	09470303068		1
68	09470303067		0.5
67	09470303066		RJl Ethernet trailing cable, AWG22/7, 2x2x0.75, PUR, Cat. 5+, green
66	09470303065	90	
65	09470303064	80	
64	09470303063	70	
63	09470303062	60	
62	09470303061	50	
61	09470303060	40	
60	09470303059	30	
59	09470303058	20	
58	09470303057	15	
57	09470303056	10	
56	09470303055	9	
55	09470303054	8	
54	09470303053	7	
53	09470303052	6	
52	09470303051	5	
51	09470303050	4	
50	09470303049	3	
49	09470303048	2	
48	09470303047	1.5	
47	09470303046	1	
46	09470303045	0.5	
Cont. no.	Part no.	Type of cable	Dim. a[m]

	All rights reserved Department HCS - RO	Created by STOCHECIC Stochezi	Inspected by COSTEA Costea	Standardisation MUNTEANV Muntean	Date 2018-05-29	State Final Release	Doc-Key / ECM-Nr. 100155505/UGD/009/C 500000135635
HARTING Customised Solutions D-32339 Espelkamp		Title RJ Industrial Cable Assembly		Number 09470303XXX		Rev. C	Page 2/2

Mouser Electronics

Authorized Distributor

Click to View Pricing, Inventory, Delivery & Lifecycle Information:

[HARTING:](#)

[09470303023](#) [09470303024](#)