

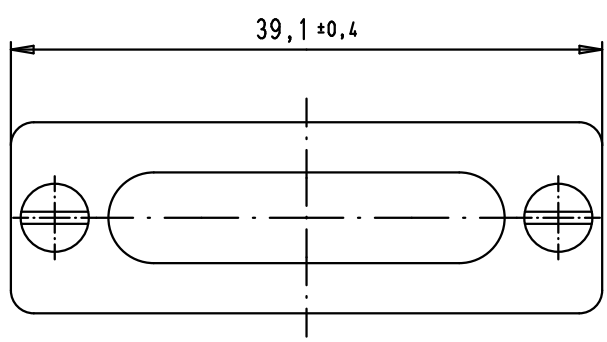
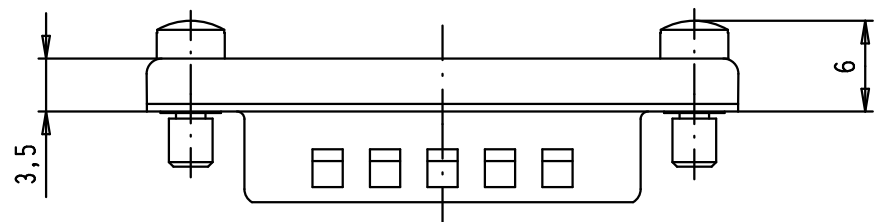
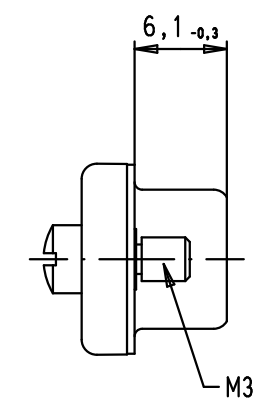
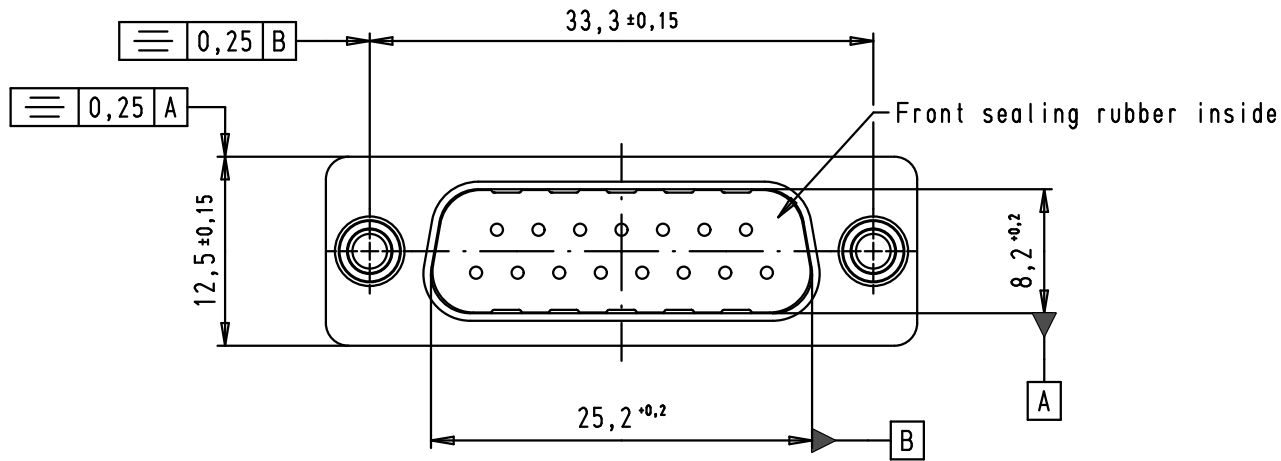
5 4 3 2 1

D

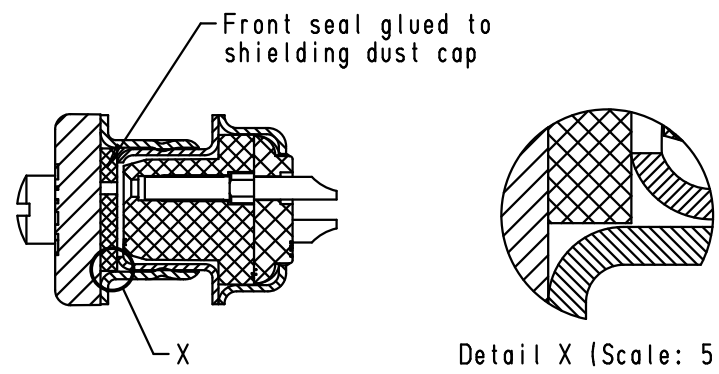
C

B

A



IP 67 shielding concept



Detail X (Scale: 5:1)

				Dot.	Name	<p>All Dim. in mm Orig. Size DIN A 4</p>	IP 67 male metal shielding cap, tin plated shell with dimples for 15 poles female D-Sub with screw locks	Maßstab/ Scale	
				Detail.	12/04/07			PK	2:1
				Insp.					
				Stand.					
34906	18/04/08	PK	HARTING EURL F-95972 Paris				TB 09 67 002 9056	Blatt/ Page	
33977	12/04/07	PK						1 / 1	
Mod.	Dot.	Name					Sub.		