

PART NAME: KNOB

SCALE: 1:1

DATE: 10/13/97

DR. BY HD

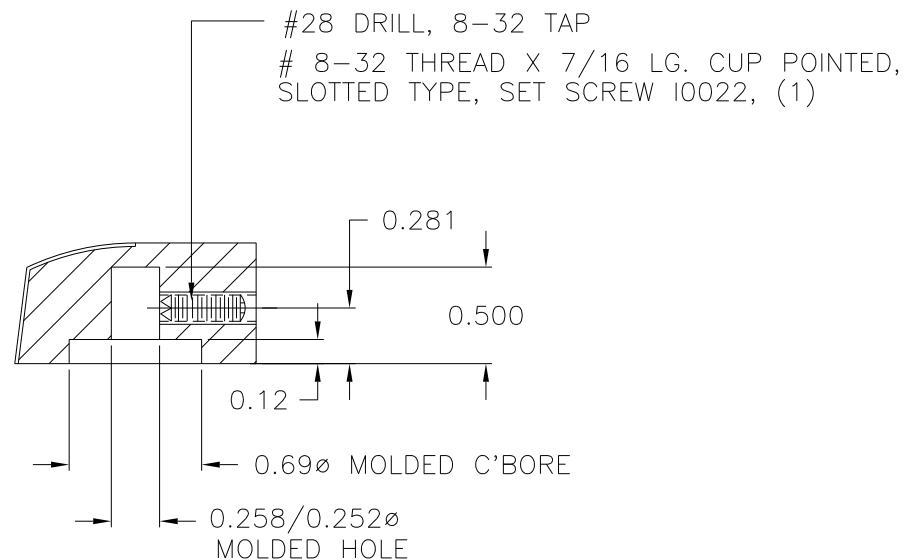
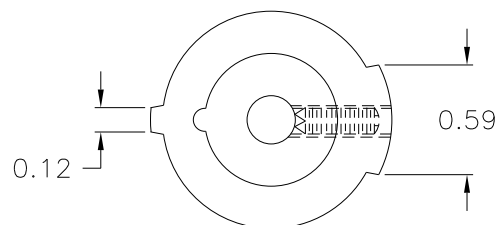
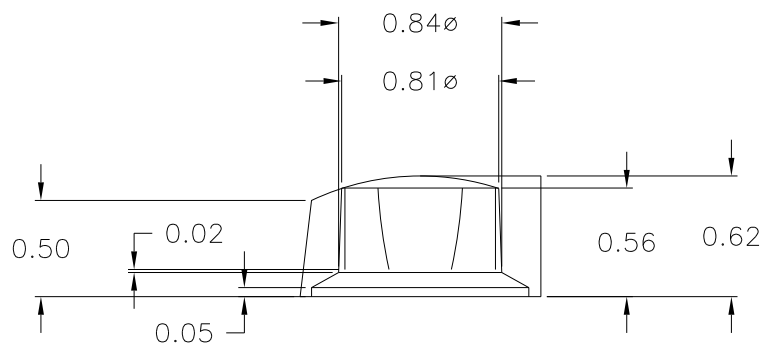
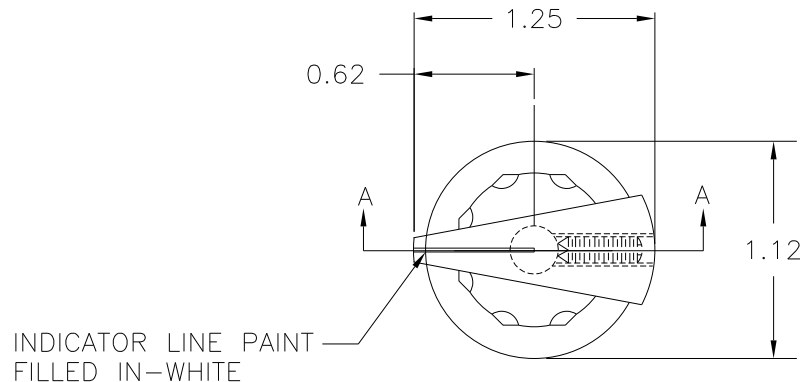
DAVIES MOLDING COMPANY  
CAROL STREAM, ILLINOIS 60188

P/N 1919AB

BASE PART 1919-01

SET SCREW I0022

THIS DRAWING IS THE PROPERTY OF DAVIES MOLDING COMPANY, IS SUBMITTED SOLELY AS A DESIGN OR ENGINEERING PROJECT. WE ACCEPT NO RESPONSIBILITY WHATSOEVER FOR THE PRACTICAL APPLICATION OF THE PIECES MADE TO THIS DESIGN.



SECTION A-A

MATERIAL : G.P. PHENOLIC (B11)  
COLOR : BLACK

TOLERANCES: UNLESS OTHERWISE SPECIFIED	DO NOT SCALE DRAWING			
DECIMALS: X.XXX ± .005 X.XX ± .015	MM: X.XX ± 0.15MM X.X ± 0.4MM	-	UPDATED TOOLBOX	JAM 10/22/02
FRACTIONS ± 1/64	ANG. ± 1°	CHANGES		