

# AS39029 QPL LISTED CONTACTS

FOR MIL/AERO APPLICATIONS  
WITH PATENTED REVERSED CLIP  
TECHNOLOGY



preci-dip

swiss world connects



# REVERSED CLIP SOCKET CONTACT TECHNOLOGY

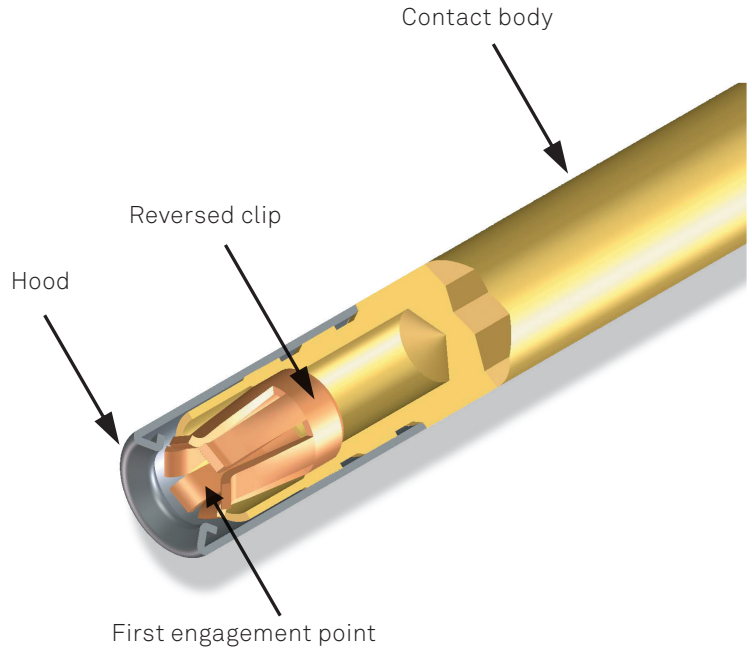
## CONTACT DESIGN

The contact consists of three parts, separately manufactured and made of different base materials. This design allows to optimise the performance and to select the most appropriate production process individually:

- Contact body made of machined brass
- Beryllium-copper clip insert achieved by precision stamping process
- Protection hood made of deep-drawn stainless steel

Separate electroplating processes of body and clip allow the best cost-performance ratio (localized finish). The assembly of the three parts is then carried out on dedicated, fully automatic assembly lines.

Reversed clip contacts are presently available in size 12, 16, 20 and 22. This proprietary technology developed by PRECI-DIP, is protected by international patents.



## ADVANTAGES AND CHARACTERISTICS

In comparison with the alternative slotted contact body design, the reversed clip concept has several advantages:

- Smaller difference between insertion and extraction forces
- Reduced dispersion of the force values
- Higher redundancy of the contact points, thanks to 6 or 8 contact fingers

We are also manufacturing the corresponding precision-machined pin contacts.

These contacts have successfully passed all the qualification tests according to AS39029 and are QPL listed.

## TECHNICAL SPECIFICATIONS

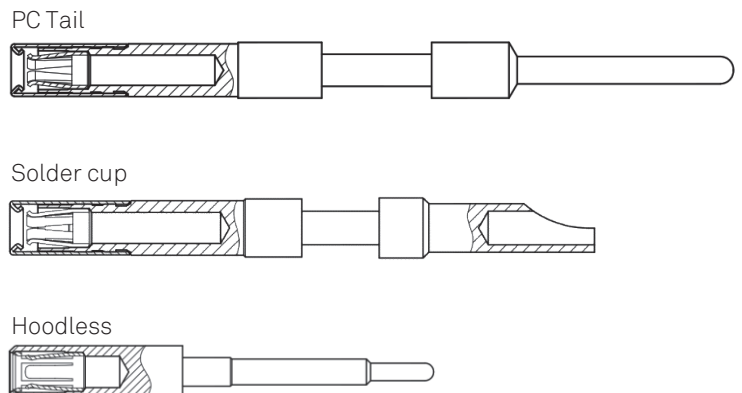
• Operating temp.	-65°C to +125°C for Class A contacts -65°C to +200°C for Class B contacts	
• Material	Pin contact:	Type A : copper alloy Machined brass acc. to ASTM B121/B121M
	Socket contact:	Type A : copper alloy Machined brass acc. to ASTM B121/B121M
	Reversed clip: Hood:	BeCu acc. to ASTM B194 Corrosion-resistant steel
• Finish	Gold plated (min. 1.27µm in the contact area) acc. to ASTM B488, Type II, Code C, over 2.5 µm Ni acc. to AMS-QQ-N-290, Class 2	
	Silver plated acc. to ASTM B700, over 2.5 µm Ni acc. to AMS-QQ-N-290, Class 2 (M39029/29-213 only)	

## CUSTOMIZED PRODUCTS

We also provide cost effective customized versions, derived from the MIL QPL contacts, for heavy duty applications:

- Solder-cup or PC tail termination
- No color coding
- Other finish, Gold or Nickel only plating
- Hoodless version

Please consult for product availability.







preci-dip

# CONTACT TECHNOLOGY

## MIL CONTACTS

### QUALIFIED PRODUCT LIST : PRECI-DIP PART NUMBERS

#### SOCKET CONTACTS

CONNECTOR TYPE ACC. TO	MIL P/N	PRECI-DIP P/N	MATING END SIZE	WIRE BARREL SIZE	TYPE	CLASS
MIL-DTL-26482, Series 2						
AS81703, Series 3	M39029/5-115	83181-7Q4-7110-B1	20	20	A	B
MIL-DTL-83723, Series 1, 3	M39029/5-116	83191-7Q4-7210-B1	16	16	A	B
MIL-DTL-83733	M39029/5-118	83151-7Q4-7310-B1	12	12	A	B
MIL-DTL-12883/40, /41, /47, /48						
AS81714, Series II	M39029/22-191	83211-7Q4-7010-B1	22	22	A	B
MIL-C-81511, Series 3, 4 Class L	M39029/22-192	83231-7Q4-7110-B1	20	20	A	B
MIL-DTL-26500						
MIL-DTL-26518, Class R	M39029/32-248	83171-7Q4-7210-B1	16	16	A	B
MIL-C-38300						
MIL-DTL-26482, Series 1	M39029/32-259	83161-7Q4-7110-B1	20	20	A	A
	M39029/56-348	83011-1P4-7010-B1	22	22D	A	B
	M39029/56-351	83021-1P4-7110-B1	20	20	A	B
MIL-DTL-38999, Series I, III, IV	M39029/56-352	83031-1P4-7210-B1	16	16	A	B
	M39029/56-353	83041-1P4-7310-B1	12	12	A	B
MIL-DTL-38999, Series II						
MIL-DTL-24308	M39029/57-354	83101-7Q4-7010-B1	22	22D	A	B
MIL-DTL-55302/68, /71, /75	M39029/57-357	83341-7Q4-7110-B1	20	20	A	B
MIL-DTL-83733	M39029/57-358	83361-7Q4-7210-B1	16	16	A	B
MIL-DTL-24308	M39029/63-368 *	83121-7Q4-6110-01	20	20	A	A
MIL-DTL-12883/44, /45, /46	M39029/101-552	83431-7Q4-7010-B1	22	22	A	A
	M39029/101-553	83441-7Q4-7110-B1	20	20	A	A



Listed part numbers are of localized finish.

\* Eagle Grip Clip (hoodless)

#### PIN CONTACTS

CONNECTOR TYPE ACC. TO	MIL P/N	PRECI-DIP P/N	MATING END SIZE	WIRE BARREL SIZE	TYPE	CLASS
	M39029/1-100	82151-7Q4-01	16	22	A	B
	M39029/1-101	82161-7Q4-01	16	20	A	B
AS81714, Series I	M39029/1-102	82171-7Q4-01	14	16	A	B
	M39029/1-103	82181-7Q4-01	12	12	A	B
MIL-DTL-26482, Series 2						
AS81703, Series 3	M39029/4-110	82071-7Q4-01	20	20	A	B
MIL-DTL-83723, Series 1, 3	M39029/4-111	82081-7Q4-01	16	16	A	B
MIL-DTL-83733	M39029/4-113	82091-7Q4-01	12	12	A	B
AS50151, Series 3450	M39029/29-212	82111-7Q4-01	16	16	A	B
MIL-DTL-83723, Series 2	M39029/29-213	82121-6Q0-01	12	12	A	B
MIL-DTL-26500						
MIL-DTL-26518, Class R	M39029/31-627	82141-7Q4-01	20	20	A	B
MIL-C-38300	M39029/31-229	82101-7Q4-01	16	16	A	B
MIL-DTL-26482, Series 1	M39029/31-240	82051-7Q4-01	20	20	A	A
AS81703, Series 2	M39029/31-228	82131-7Q4-01	16	16	A	A
MIL-DTL-38999, Series I, II, III, IV						
MIL-DTL-24308	M39029/58-360	82011-7Q4-01	22	22D	A	B
	M39029/58-363	82021-7Q4-01	20	20	A	B
	M39029/58-364	82031-7Q4-01	16	16	A	B
MIL-DTL-83733	M39029/58-365	82041-7Q4-01	12	12	A	B
MIL-DTL-24308	M39029/64-369	82061-7Q4-01	20	20	A	A



Listed part numbers are of localized finish (except M39029/29-213). For overall plating please contact us.



# ENJOY THE BENEFITS

---

## HEADED FOR SUCCESS

Awards from prestigious institutions and customers. Major certifications. World-wide recognition. For ongoing innovation, perfect teamwork, environmental responsibility as well as entrepreneurial excellence and sustained growth. In short, for Swiss quality.

- Complete range of highly reliable interconnect components
- Diverse fields of application
- Effective management system
- In-house manufacturing –from raw material to finished product
- Highly skilled and motivated workforce
- Strong customer support
- Custom design
- Competitive pricing, flexibility and Swiss quality
- Worldwide presence
- Prestigious client base

---

## AROUND THE WORLD

More than 100 Distributors around the world distribute PRECI-DIP products across the five continents.



[www.precidip.com](http://www.precidip.com)