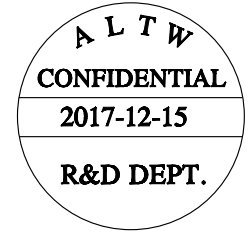
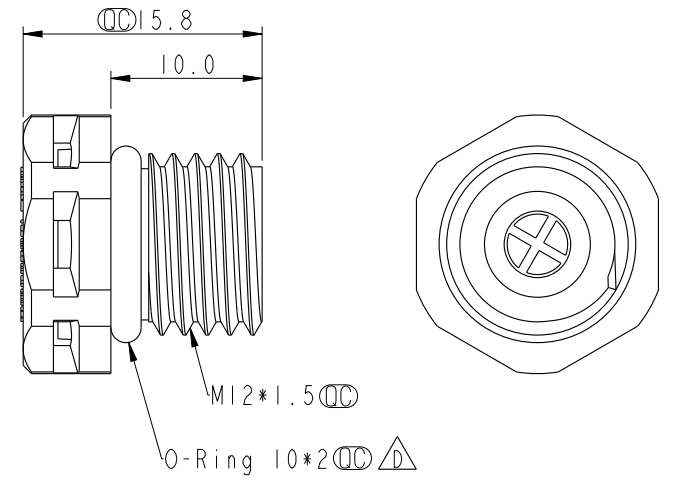
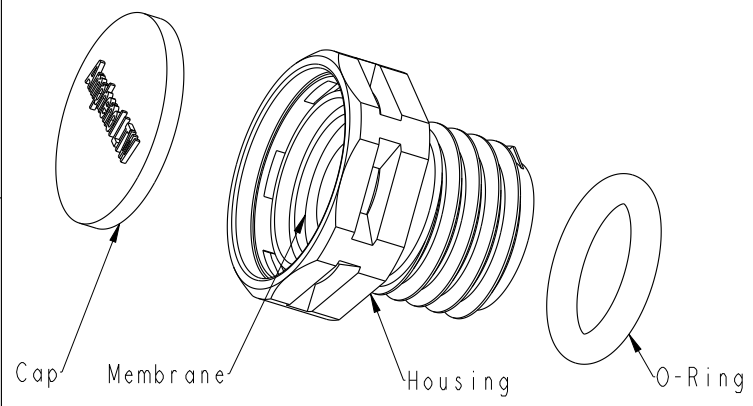


THIS DOCUMENT IS SUBJECT TO CHANGE WITHOUT NOTICE. IT IS CONFIDENTIAL AND A PROPERTY OF Amphenol LTW. DISCLOSURE TO THIRD PARTY HAS TO BE AUTHORIZED BY Amphenol LTW.

REV.	ECN NO.	DATE	SIGN	DESCRIPTION
A	Initial Release	2017/03/28	Jinhai	Chnage Rev.05 To Rev.A
B	LEN1750155~166	2017/05/12	Jinhai	Add Recommended thickness of plank
C	LEN1790339~350	2017/09/25	Ethan	Add透氣量>3000ml/min@70mbar Vent
D	LEN17C0606~621	2017/12/15	Ethan	Add O-Ring Dimensions And Modify Dimensions



Without Nut					
成品料號 (Product no.)	透氣量 ml/min@70mbar	主體顏色 (Body Colour)	O-Ring Color	疏油性 (Oleophobic)	Waterproof Rate
VENT-PSINGY-N8001	>1000	Gray	Blue	N	IP68/IP69K
VENT-PSINBK-N8001	>1000	Black	Blue	N	IP68/IP69K
VENT-PSINGY-O8001	>550	Gray	Black	Y	IP68/IP69K
VENT-PSINBK-O8001	>550	Black	Black	Y	IP68/IP69K
VENT-PSINGY-O8002	>1000	Gray	Green	Y	IP68/IP69K
VENT-PSINBK-O8002	>1000	Black	Green	Y	IP68/IP69K
VENT-PSINGY-N8002	>3000	Gray	Red	N	IP68
VENT-PSINBK-N8002	>3000	Black	Red	N	IP68

With Nut					
成品料號 (Product no.)	透氣量 ml/min@70mbar	主體顏色 (Body Colour)	O-Ring Color	疏油性 (Oleophobic)	Waterproof Rate
VENT-PSIYGY-N8001	>1000	Gray	Blue	N	IP68/IP69K
VENT-PSIYBK-N8001	>1000	Black	Blue	N	IP68/IP69K
VENT-PSIYGY-O8001	>550	Gray	Black	Y	IP68/IP69K
VENT-PSIYBK-O8001	>550	Black	Black	Y	IP68/IP69K
VENT-PSIYGY-O8002	>1000	Gray	Green	Y	IP68/IP69K
VENT-PSIYBK-O8002	>1000	Black	Green	Y	IP68/IP69K
VENT-PSIYGY-N8002	>3000	Gray	Red	N	IP68
VENT-PSIYBK-N8002	>3000	Black	Red	N	IP68

UNIT : mm		TITLE M12*1.5 VENT
TOLERANCE .X ±0.25 .XX ±0.1 .XXX ±0.05 ANGLES ±1°	SCALE 2:1 SIZE A4 SHEET 1 OF 2	REV. D WC-REV. A.7 ☉: Inspection item

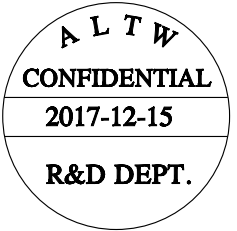
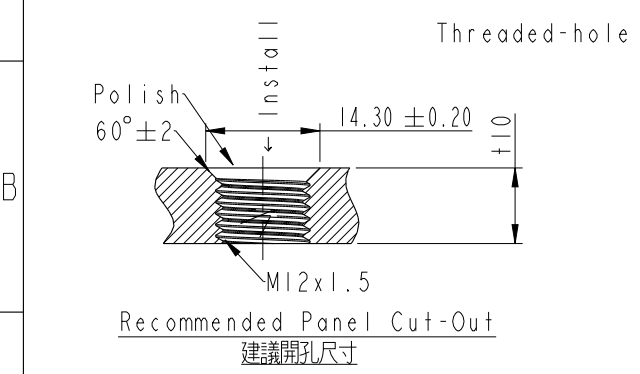
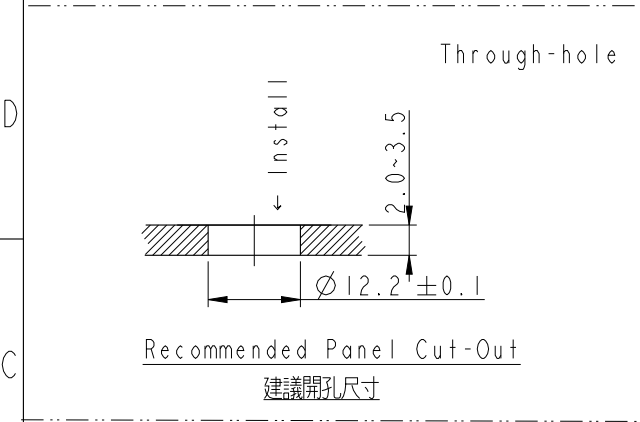
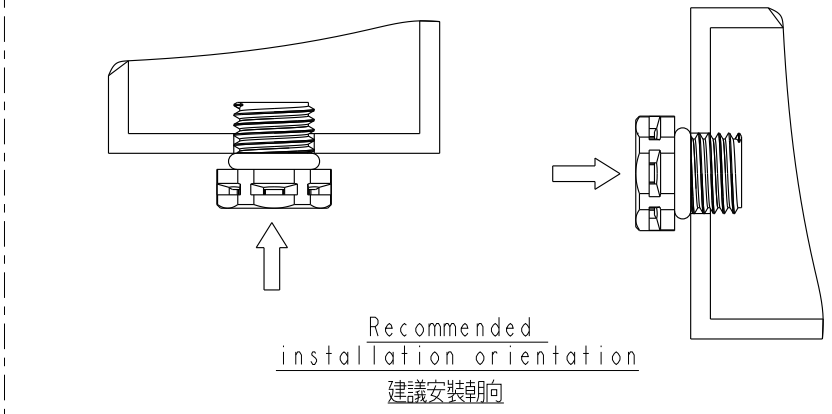
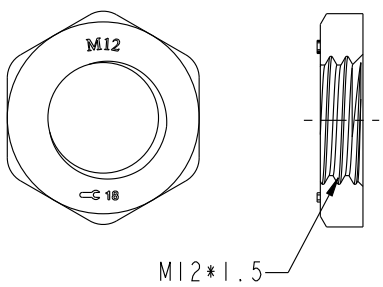
Amphenol LTW
安費諾亮泰企業股份有限公司

ITEM NO.	DRAWN BY Ethan	DATE 2017-12-15
DWG NO. VENT-PSIXXX-XXXXX	CHECKED BY Feng-li	DATE 2017-12-15
CUSTOMER ALTW	APPROVED BY Jerry	DATE 2017-12-15

THIS DOCUMENT IS SUBJECT TO CHANGE WITHOUT NOTICE. IT IS CONFIDENTIAL AND A PROPERTY OF AMPHENOL LTW. DISCLOSURE TO THIRD PARTY HAS TO BE AUTHORIZED BY AMPHENOL LTW.

REV.	ECN NO.	DATE	SIGN	DESCRIPTION

Screw Nut: Optional part
 No.: APTP-ABKPA012-001
 螺母作為選配件



- Note:
- * \varnothing Important Dimension.
 - * Cap: Nylon+GF, 94V-0, UV Resistance
 - * Membrane: ePTFE
 - * Body: Nylon+GF, 94V-0, UV Resistance
 - * O-Ring: Silicone, 94V-0
 - * Nut Torque Force: 6.0~8.0 Kgf.cm

UNIT: mm		TITLE M12*1.5 VENT		ITEM NO	DRAWN BY Ethan	DATE 2017-12-15	
		TOLERANCE .X ±0.25 .XX ±0.1 .XXX ±0.05 ANGLES ±1°	SCALE 2:1	SIZE A4	SHEET 2 OF 2	DWG NO VENT-PSIXXX-XXXXX	CHECKED BY Feng-li
		REV. D	WC-REV. A.7	\varnothing : Inspection item	CUSTOMER ALTW	APPROVED BY Jerry	DATE 2017-12-15

Amphenol LTW
 安費諾亮泰企業股份有限公司