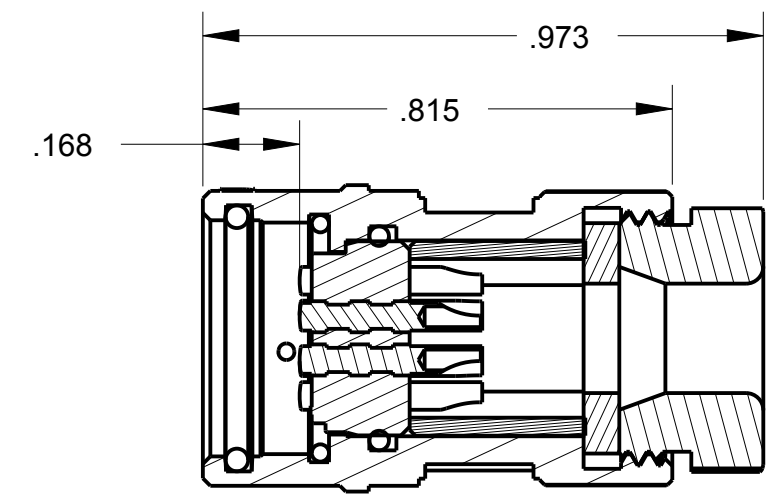
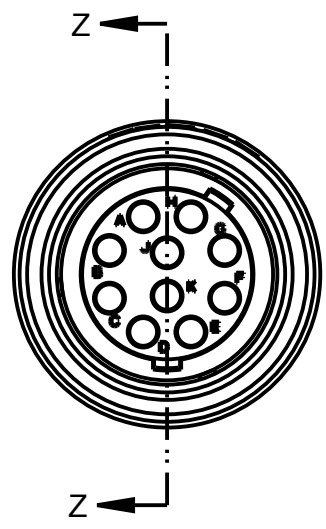
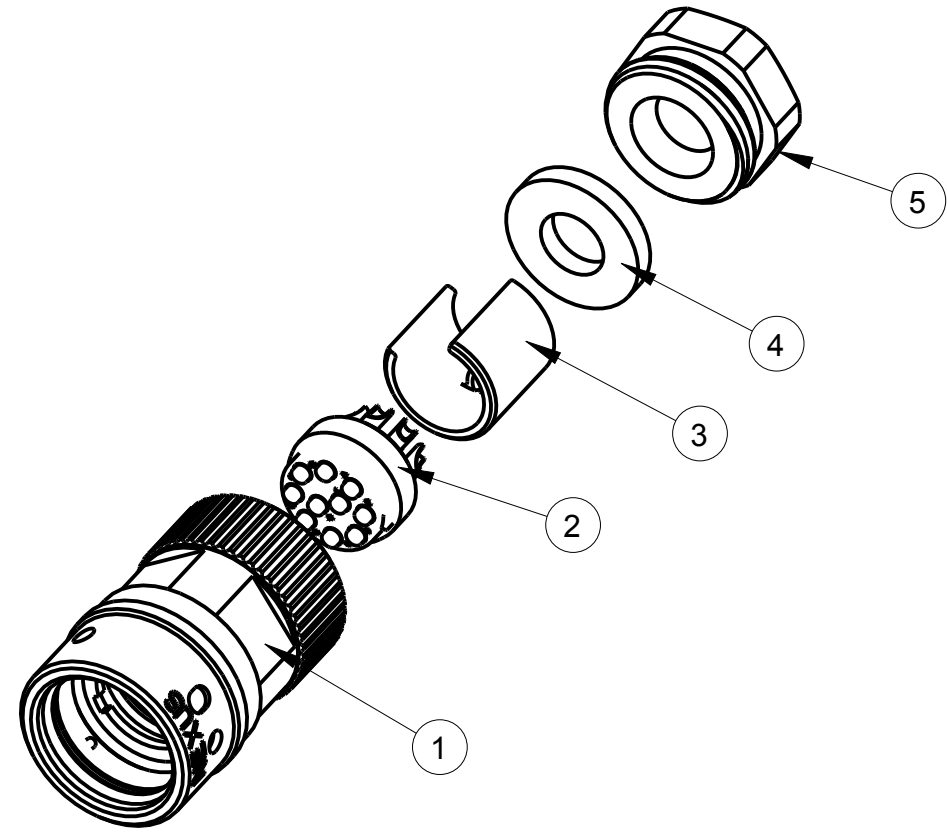
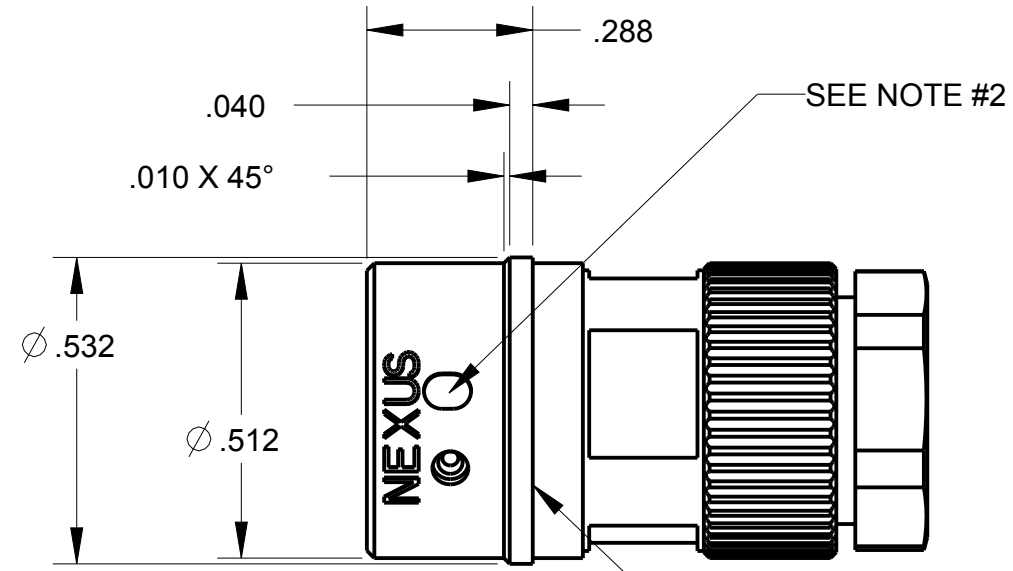


ITEM #	PART #	QTY	DESCRIPTION
1	MAP-60-11	1	OM PLUG HOUSING
2	MAP-60-02	1	PLUG INSERT, 10 COND
3	MAP-60-06	1	STRAIN RELIEF
4	MAP-60-07	1	WASHER, RUBBER
5	MAP-60-10	1	NUT, OM ADAPTER

B MAP-60-50



SECTION Z-Z

THIS DOCUMENT CONTAINS PROPRIETARY INFORMATION OF NEXUS, INCORPORATED AND SUCH INFORMATION MAY NOT BE DISCLOSED TO OTHERS FOR ANY PURPOSE OR USED FOR ANY PURPOSE WITHOUT THE WRITTEN CONSENT OF NEXUS.

NOTES:
 1) OVERMOLD SHUTOFF SURFACE
 2) ORANGE ALIGNMENT DIMPLE

LET.	REVISION	CN #	DATE	CHK.
A	NEW RELEASE		8/16 2011	HR

DWN.BY HR	DATE Aug-16-11	MATERIAL	
CHECKED BY	DATE	FINISH	
APPR.BY	DATE	WEIGHT —	SCALE = 2.00 :1
UNLESS OTHERWISE SPECIFIED: DIMENSIONS ARE IN INCHES &/OR (mm)		TITLE 10 - COND OM PLUG Ø .185 CABLE	
TOLERANCES:			
DECIMAL: .XX[X.X] .XXX[X.XX] ± .01[0.3] ± .003[0.08]			
FRACTION: X/X ± 1/64		ANGLES: X ± .5°	
DO NOT SCALE DWG.		SHEET 1 OF 1	
		NEXUS STAMFORD, CONN	
		SIZE B	DWG. NO. MAP-60-50