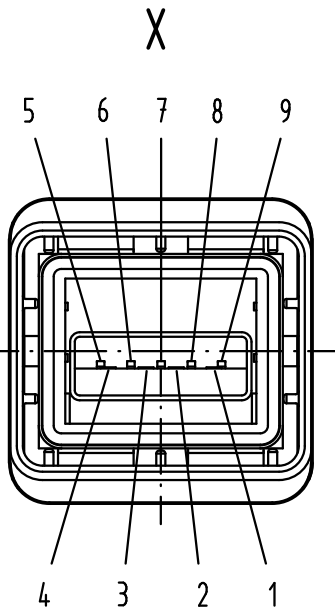
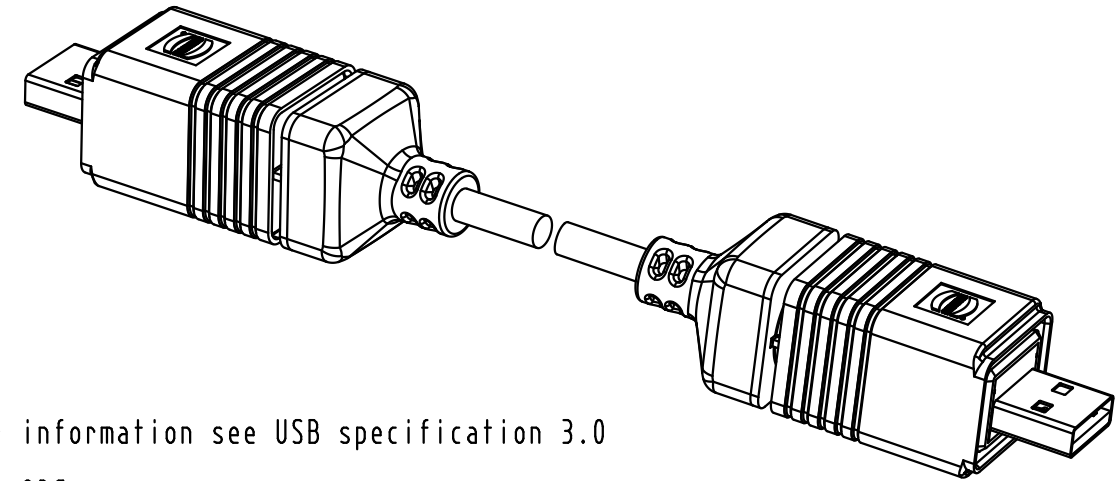
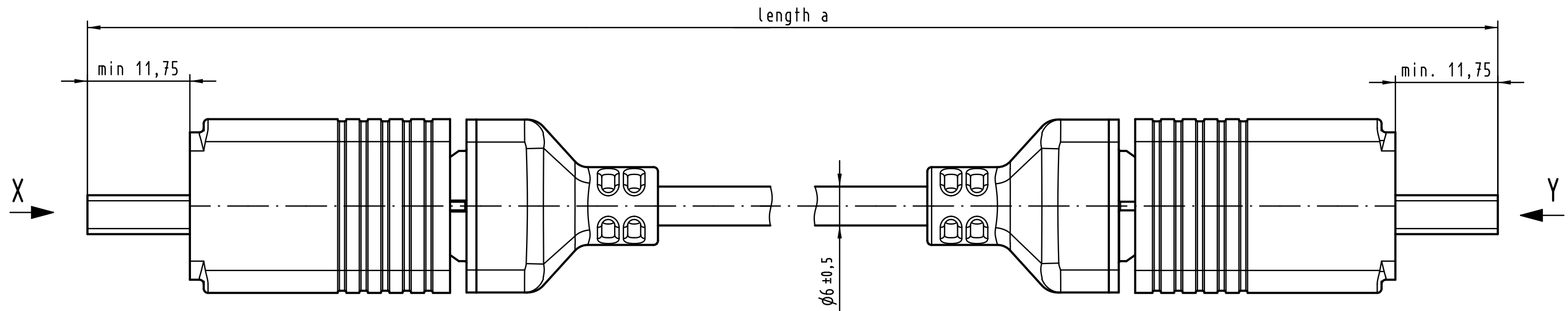
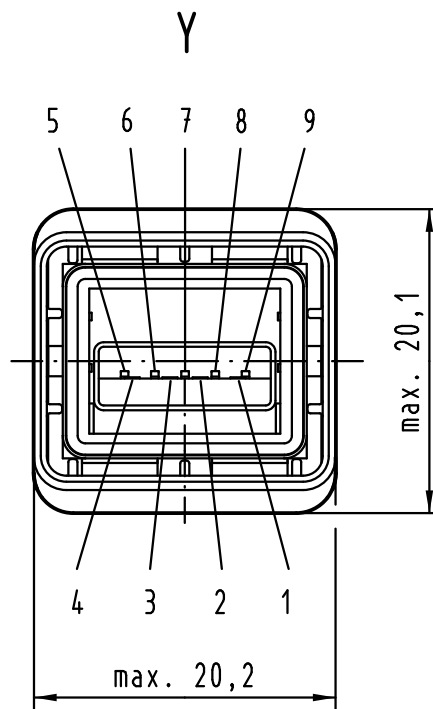


Alle Rechte vorbehalten/ All rights reserved



loading-plan

- | | | |
|------------|---|---|
| V Bus | 1 | 1 |
| D- | 2 | 2 |
| D+ | 3 | 3 |
| GND | 4 | 4 |
| StdA_SSRX- | 5 | 5 |
| StdA_SSRX+ | 6 | 6 |
| GND_DRAIN | 7 | 7 |
| StdA_SSTX- | 8 | 8 |
| StdA_SSTX+ | 9 | 9 |



further information see USB specification 3.0
www.usb.org

no.	part-no.	description	length a [meter]
6	09 45 145 2905	USB 3.0, Type A, PushPull double ended	5,0 m
5	09 45 145 2904	USB 3.0, Type A, PushPull double ended	3,0 m
4	09 45 145 2903	USB 3.0, Type A, PushPull double ended	2,0 m
3	09 45 145 2902	USB 3.0, Type A, PushPull double ended	1,5 m
2	09 45 145 2901	USB 3.0, Type A, PushPull double ended	1,0 m
1	09 45 145 2900	USB 3.0, Type A, PushPull double ended	0,5 m

	All Dimensions in mm Original Size DIN A 3			Techn. Character.		Nicht tolerierte Maß/Free size tolerances		
				Dat.	Name	Maßstab/Scale 2:1	HARTING PushPull V4 USB 3.0 Type A PushPull double ended	
				Detail.	14.02.12			hsv
				Insp.	14.02.12			Lue.
			Stand.					
36366			HARTING Electronics GmbH & Co. KG D-32339 ESPELKAMP				TB 09 45 145 290x	
Mod.	Dat.	Name			Sub.			Blatt/ page