



**PDS-240-3**

## R-SATA CONNECTORS

The new (Rugged) R-SATA style connector is perfectly suited as the primary internal storage interconnect for desktop and mobile PCs, connecting the system to peripherals such as hard drives, solid state drives, optical drives, and removable magnetic media drives.

The R-SATA supports SATA 3.0 protocol, delivering 6.25 Gb/s data rates & beyond. Amphenol's R-SATA connector utilizes a Micro-Hyperboloid contact with proven performance. The Micro-Hyperboloid contact system offers low insertion and extraction forces, high durability counts and is resistant to shock, vibration and fretting corrosion.

---

### Features & Benefits

- Ruggedized SATA style
- Supports SATA 3.0 protocol (6.25 Gb/s) & beyond
- Rugged Micro-Hyperboloid contacts
- Low insertion/extraction force
- 20K mating cycles
- Resistant to shock, vibration & fretting corrosion
- 7 pin SATA & Combo (Power/Signal) 22 pin R-SATA contact arrangements (two differential pairs, 3 ground)
- Foot print compatible with 3M SATA Connectors



Micro-Hyperboloid  
Socket Contact



Cross Section -  
Mated View

### Application Flexibility

- Four body styles for 7 and Combo (Power/Signal) 22 pin arrangements
  - Right Angle Plug - Daughterboard
  - Straight Receptacle - Motherboard
  - Right Angle Receptacle - PC
  - Straight Plug - Parallel Boards



### PDS-240-3

#### Four Possible Mated Configurations for 7 and Combo 22 Pin Arrangements\*

End to End Boards



Boards at Right Angle



Boards at Right Angle

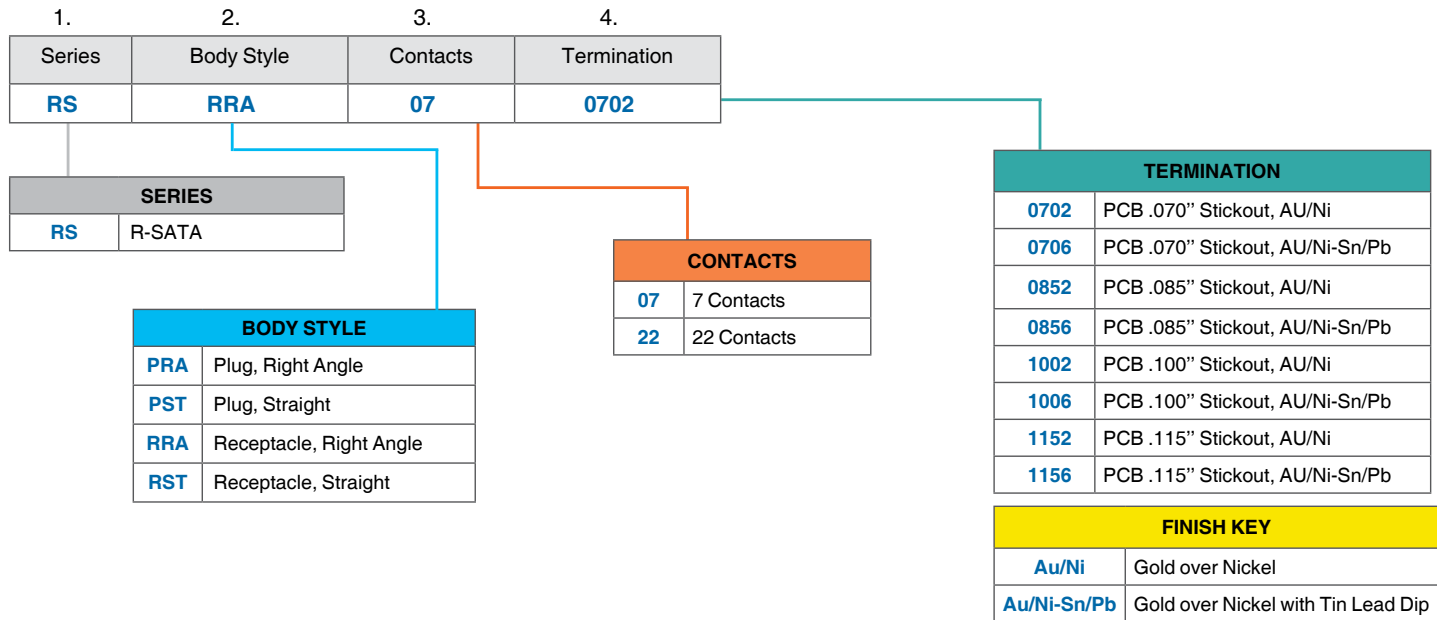


Parallel Boards



\*7 pin configuration shown

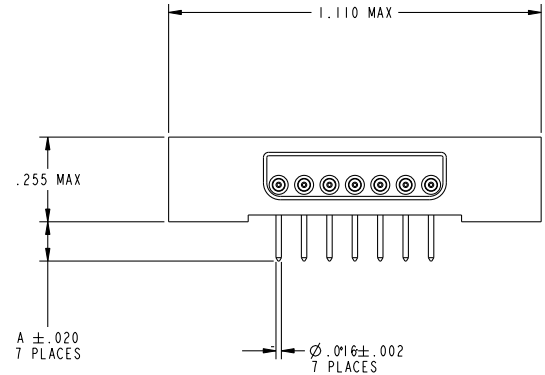
#### How to Order - R-SATA with PCB Termination





## PDS-240-3

### 7 Pin Right Angle Plug



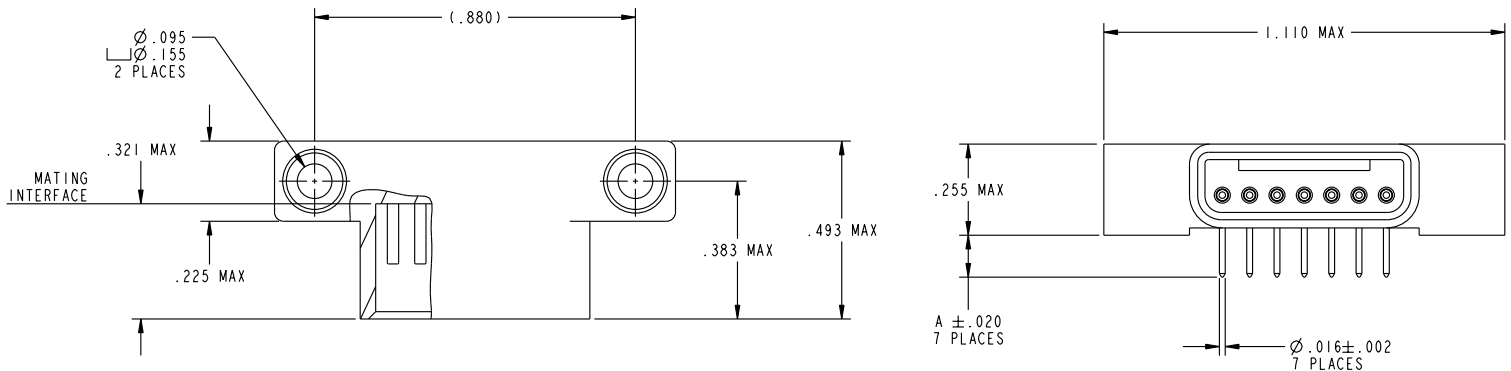
### 7 Pin Straight Plug



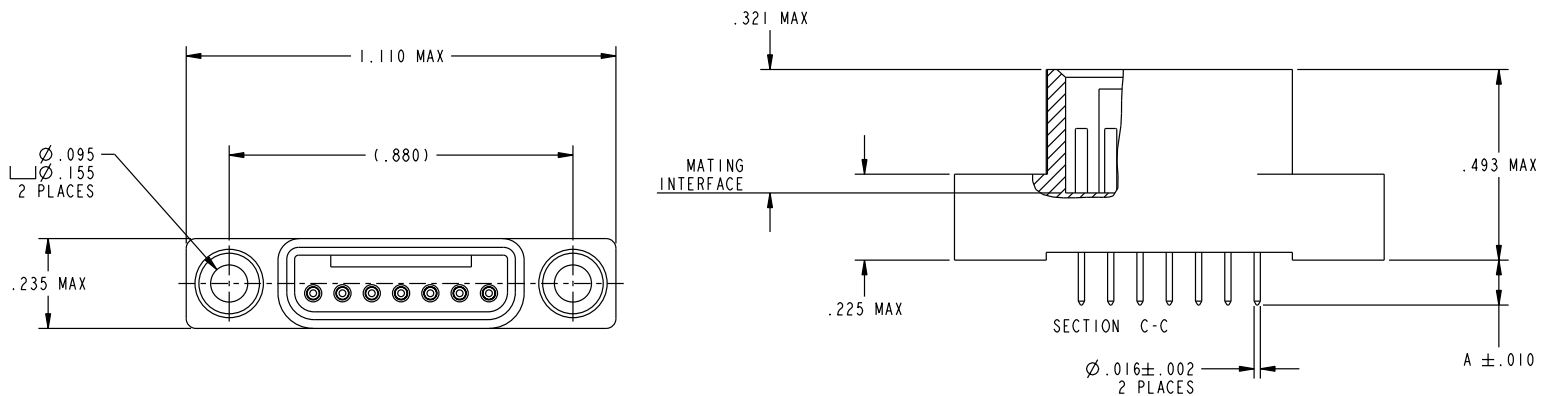


**PDS-240-3**

## 7 Pin Right Angle Receptacle



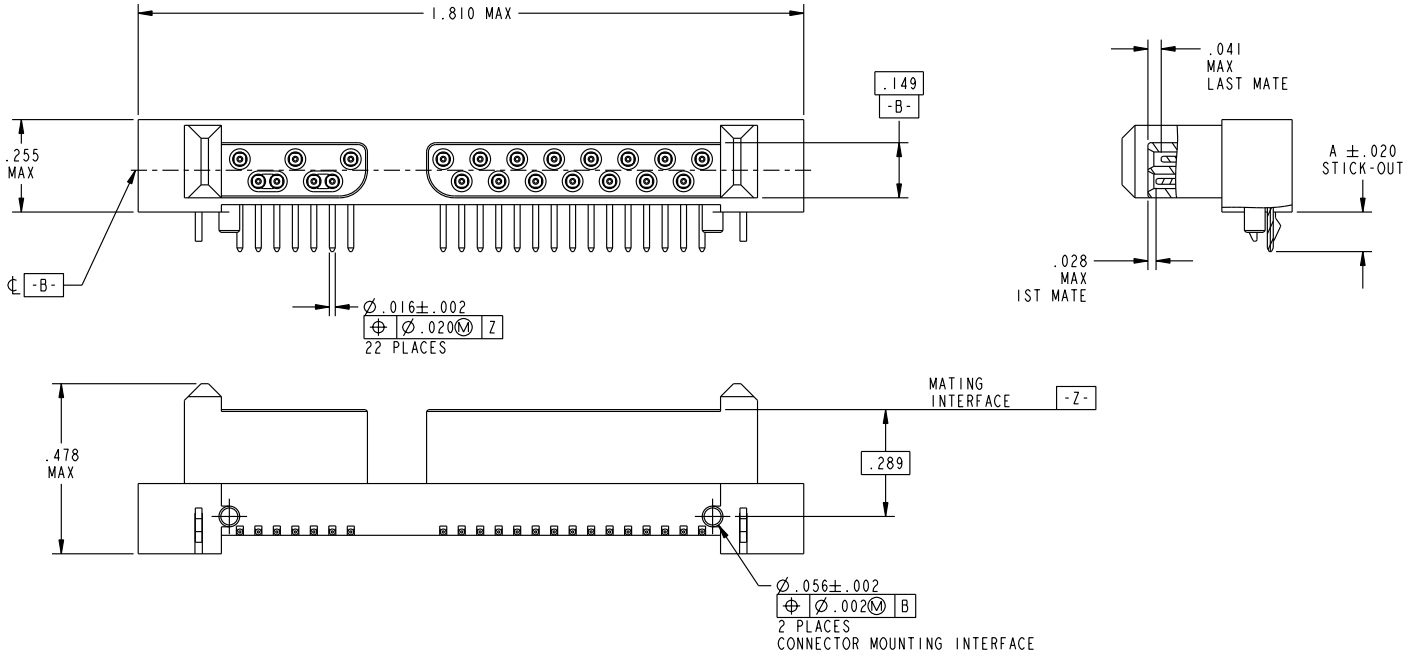
## 7 Pin Straight Receptacle



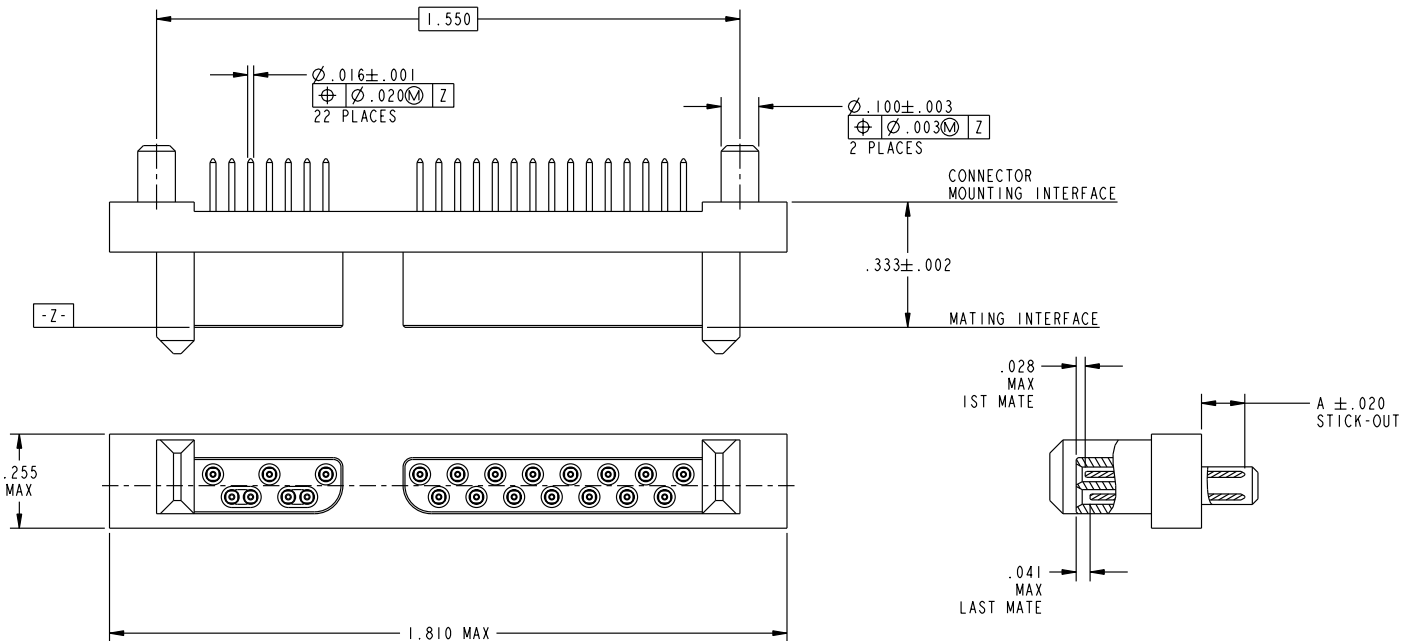


## PDS-240-3

### Combo 22 Pin Right Angle Plug



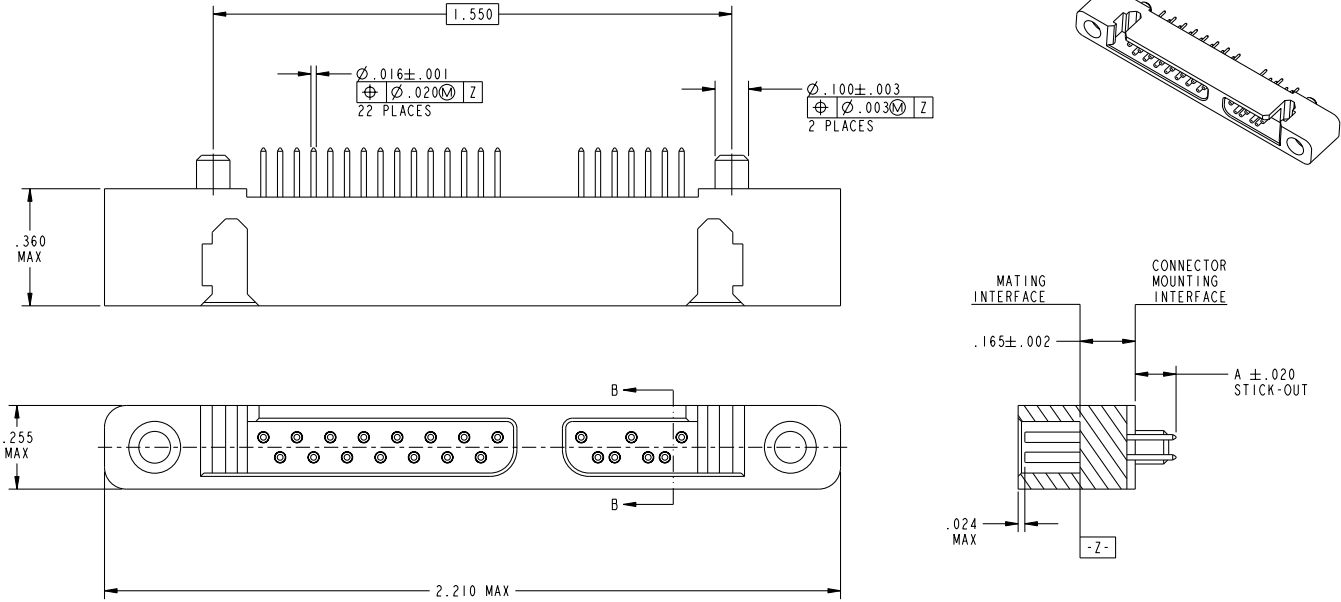
### Combo 22 Pin Straight Plug





**PDS-240-3**

## Combo 22 Pin Straight Receptacle



## Combo 22 Pin Right Angle Receptacle





### PDS-240-3

## R-SATA Combo 22 Pin Surface Mount Configuration



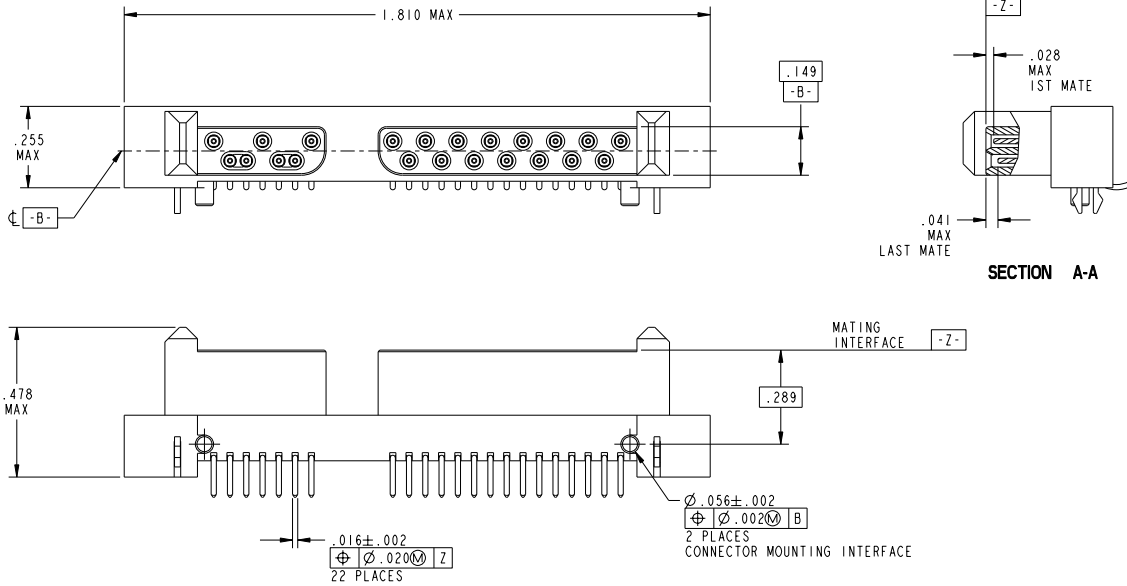
## How to Order - Combo 22 Pin Surface Mount Configurations





**PDS-240-3**

## Combo 22 Pin Surface Mount Right Angle Plug



Foot print compatible with 3M Part # 5622-1200-ML

## Combo 22 Pin Surface Mount Right Angle Receptacle

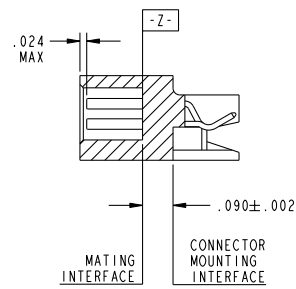






## PDS-240-3

### Combo 22 Pin Right Angle Receptacle Card Edge



Foot print compatible with 3M Part # 5622-6309-ML