

THIS DRAWING IS UNPUBLISHED.

RELEASED FOR PUBLICATION

20

© COPYRIGHT 20 BY -

ALL RIGHTS RESERVED.

REVISIONS

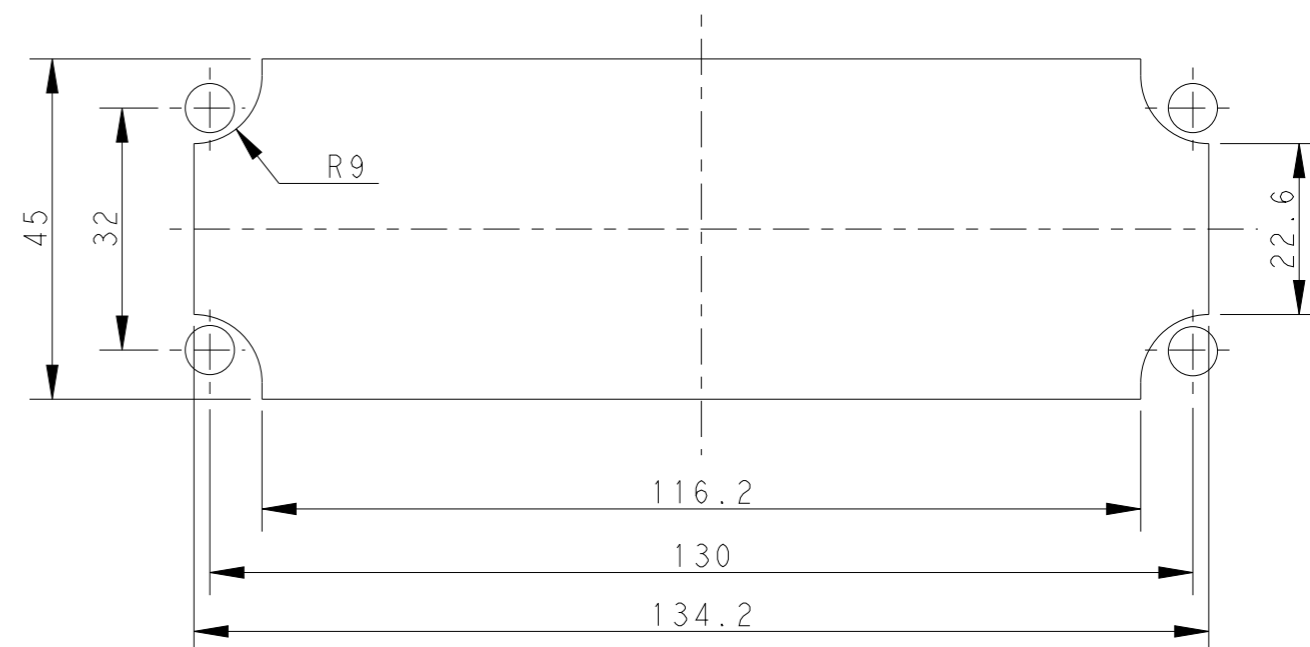
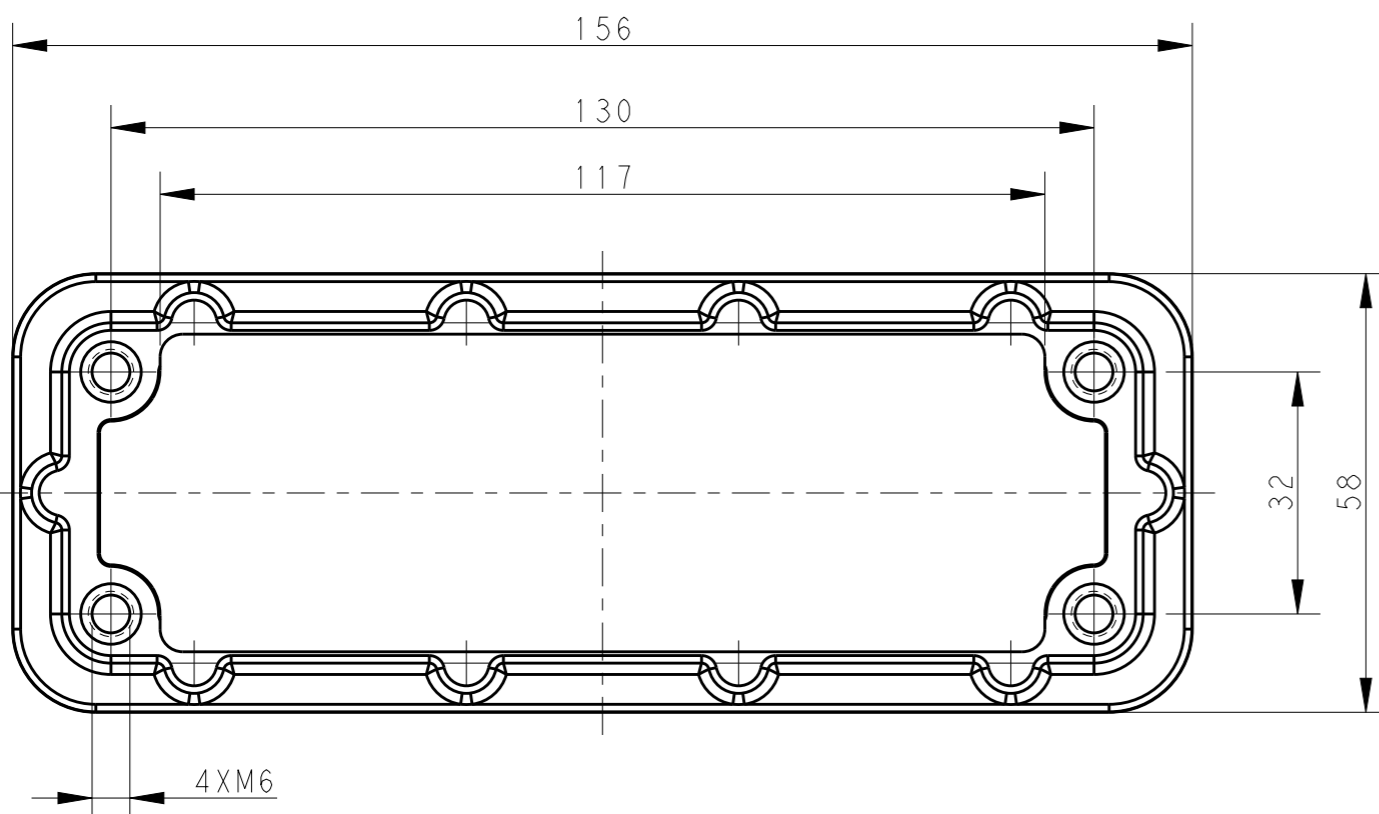
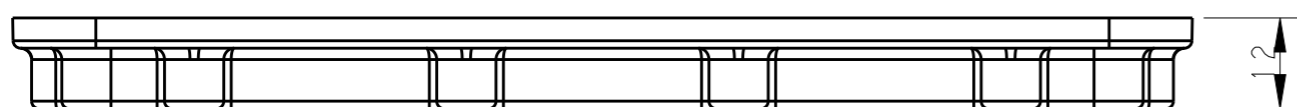
P	LTR	DESCRIPTION	DATE	DWN	APVD
	A	INITIAL RELEASE	08FEB2018	GY	CW

NOTES:

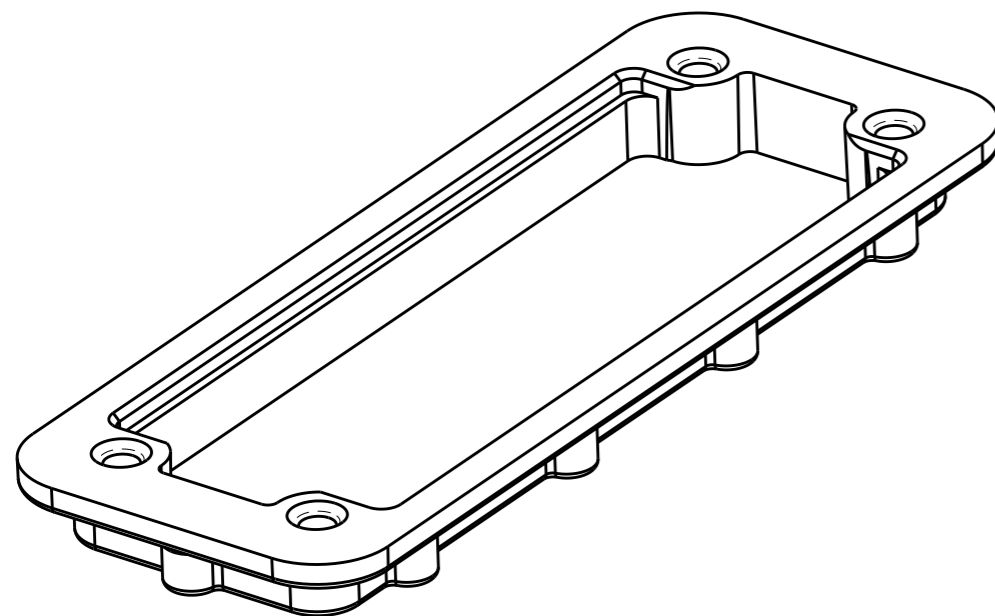
1. TECHNICAL CHARACTERISTICS:  
MATERIAL: ALUMINIUM ALLOY

注释:


1. 技术参数:  
材料: 铝合金



Panel Cut Out  
面板开口尺寸



T1990240001-001	H24BPR-FRAME	H24BPR-FRAME, DIAGONAL LOCKING H24BPR安装架, 对角锁定
PART NUMBER 零件料号	DESCRIPTION 描述	

THIS DRAWING IS A CONTROLLED DOCUMENT.		DWN GINO.YAO 08FEB2018	 TE Connectivity	
DIMENSIONS: mm		CHK CHRIS.WANG 08FEB2018		
TOLERANCES UNLESS OTHERWISE SPECIFIED:		APVD CHRIS.WANG 08FEB2018	NAME H24BPR-FRAME	
0 PLC ±-		PRODUCT SPEC	-	
1 PLC ±-		APPLICATION SPEC	-	
2 PLC ±-		WEIGHT	-	
3 PLC ±-		SIZE	A3	00779
4 PLC ±-		CAGE CODE	G-T1990240001001	
ANGLES ±-		DRAWING NO	-	
FINISH		RESTRICTED TO	-	
MATERIAL		CUSTOMER DRAWING	SCALE	1:1
-			SHEET	1 OF 1
-			REV	A