

# High Frequency Ceramic Solutions

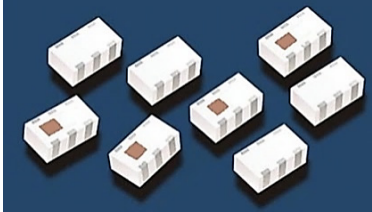
**3700MHz (3.4-4GHz) 1:1 RF Balun EIA 0805, 6-Pin**

**P/N 3700BL15C0050**

Detail Specification: 4/7/2016

Page 1 of 3

## General Specifications

<b>Part Number</b>	3700BL15C0050				
<b>Frequency (MHz)</b>	3400 ~ 4000				
<b>Unbalanced Impedance</b>	50 Ω				
<b>Differential Balanced Imp.</b>	50 Ω				
<b>Insertion Loss</b>	1.2 dB max.				
<b>Return Loss</b>	9.5 dB min.				
<b>Phase Difference (degree)</b>	180 ± 25				
<b>Amplitude Difference</b>	2 dB max.			<b>Operating Temperature</b>	-40 to +85°C
<b>Impedance</b>	50 / 50 Ω			<b>Recommended Storage Conditions of unused product on T&amp;R</b>	+5 to +35°C, 18 mos. max. Humidity 45~75% RH
<b>Power Capacity</b>	1W max. (CW)				
<b>Reel Quantity</b>	4,000 pcs				

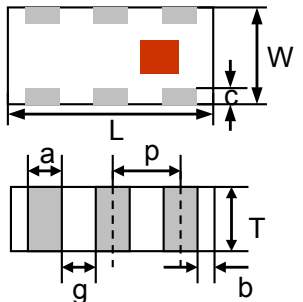
You can download measured s-parameters of this component at: <http://www.johansontechnology.com/rfbaluns>

## Part Number Explanation

<b>P/N Suffix</b>	<b>Packing Style</b>	Bulk	Suffix = S	Eg. 3700BL15C0050S
		T & R	Suffix = E	Eg. 3700BL15C0050E
	<b>Termination style</b>	100% Tin	Suffix = None	Eg. 3700BL15C0050 (E or S)
	<b>Evaluation Board</b>	3700BL15C0050-EB3SMA (3 female SMA connectors)		

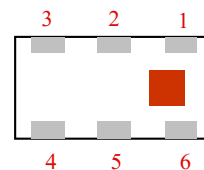
## Mechanical Dimensions

	In	mm
<b>L</b>	0.079 ± 0.004	2.00 ± 0.10
<b>W</b>	0.049 ± 0.004	1.25 ± 0.10
<b>T</b>	0.033 ± 0.004	0.85 ± 0.10
<b>a</b>	0.012 ± 0.004	0.30 ± 0.10
<b>b</b>	0.008 ± 0.004	0.20 ± 0.10
<b>c</b>	0.012 +0.004/0.008	0.30 +0.1/-0.2
<b>g</b>	0.014 ± 0.004	0.35 ± 0.10
<b>p</b>	0.026 ± 0.002	0.65 ± 0.05



## Terminal Configuration

<b>1</b>	Unbalanced Port	<b>4</b>	Balanced Port
<b>2</b>	GND or DC Feed	<b>5</b>	GND
<b>3</b>	Balanced Port	<b>6</b>	NC



Johanson Technology, Inc. reserves the right to make design changes without notice.  
All sales are subject to Johanson Technology, Inc. terms and conditions.



[www.johansontechnology.com](http://www.johansontechnology.com)

4001 Calle Tecate • Camarillo, CA 93012, USA • TEL +1.805.389.1166

Ver 1.0

2014 Johanson Technology, Inc. All Rights Reserved

# High Frequency Ceramic Solutions

3700MHz (3.4-4GHz) 1:1 RF Balun EIA 0805, 6-Pin

P/N 3700BL15C0050

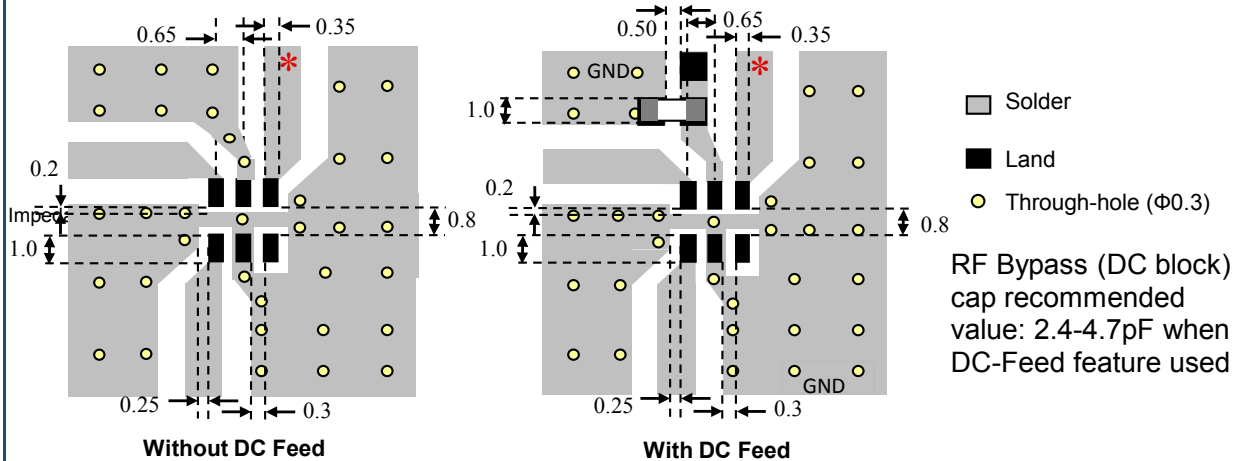
Detail Specification: 4/7/2016

Page 2 of 3

## Mounting Considerations

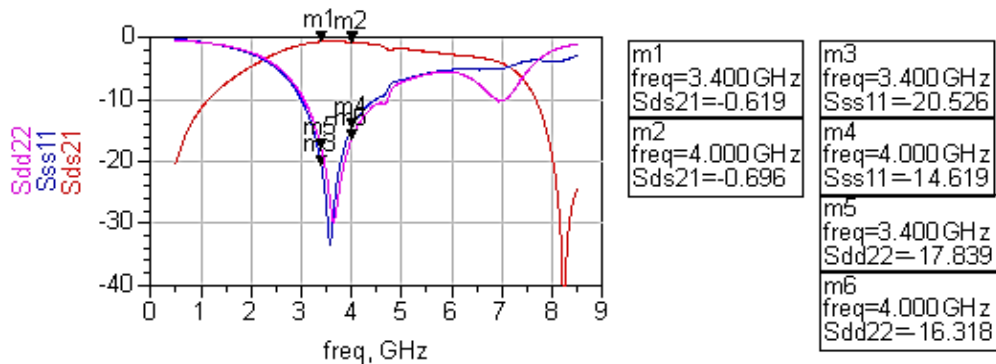
Mount these devices with colored mark facing up.

\* Line width should be designed to provide 50ohm impedance matching characteristics.



Need our help laying this out for you? Need the layout file? Send us a message at: [www.johansontechnology.com/component/techquestion](http://www.johansontechnology.com/component/techquestion)

## Typical Electrical Characteristics (T=25°C)



(Sds21) Insertion Loss / (Sss11) Return Loss SE / (Sdd22) Return Loss Differential

Johanson Technology, Inc. reserves the right to make design changes without notice.

All sales are subject to Johanson Technology, Inc. terms and conditions.



[www.johansontechnology.com](http://www.johansontechnology.com)

4001 Calle Tecate • Camarillo, CA 93012, USA • TEL +1.805.389.1166

Ver 1.0

2014 Johanson Technology, Inc. All Rights Reserved

# High Frequency Ceramic Solutions

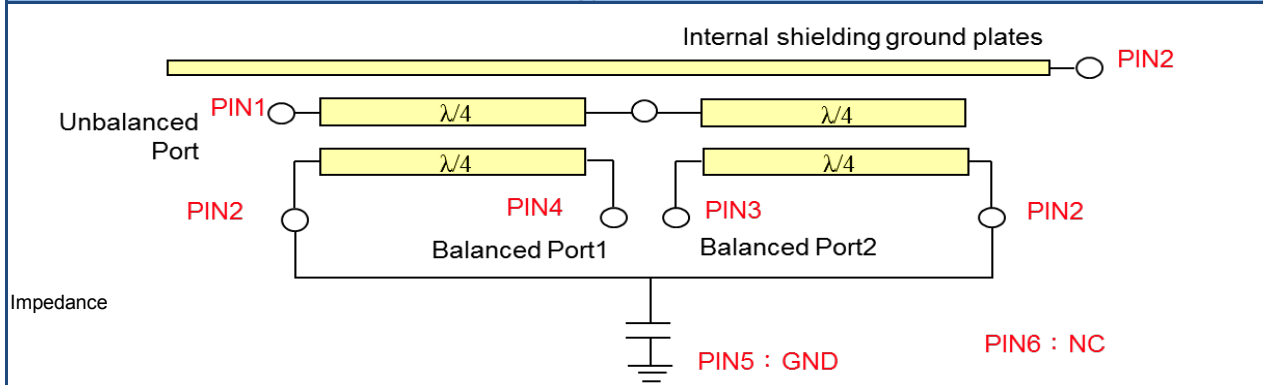
3700MHz (3.4-4GHz) 1:1 RF Balun EIA 0805, 6-Pin

P/N 3700BL15C0050

Detail Specification: 4/7/2016

Page 3 of 3

## Internal Representative Schematic/Topology



## More Filter-Balun info at:

<http://www.johansontechnology.com/rfbaluns>

## Packaging information

[www.johansontechnology.com/ipcpackaging.html](http://www.johansontechnology.com/ipcpackaging.html)

## Soldering Information

[www.johansontechnology.com/ipcsoldering-profile](http://www.johansontechnology.com/ipcsoldering-profile)

## MSL Info

[www.johansontechnology.com/technical-notes/msl-rating.html](http://www.johansontechnology.com/technical-notes/msl-rating.html)

## Recommended Storage Condition and Max Shelf Life

[www.johansontechnology.com/ipcstorage-shelflife](http://www.johansontechnology.com/ipcstorage-shelflife)

## RoHS Compliance

[www.johansontechnology.com/technical-notes/rohs-compliance.html](http://www.johansontechnology.com/technical-notes/rohs-compliance.html)

## Layout review services

<http://www.johansontechnology.com/component/techquestion>

## Antenna layout review, tuning, and characterization services

[www.johansontechnology.com/ipcantennaservices](http://www.johansontechnology.com/ipcantennaservices)

Johanson Technology, Inc. reserves the right to make design changes without notice.

All sales are subject to Johanson Technology, Inc. terms and conditions.



[www.johansontechnology.com](http://www.johansontechnology.com)

4001 Calle Tecate • Camarillo, CA 93012, USA • TEL +1.805.389.1166

Ver 1.0

2014 Johanson Technology, Inc. All Rights Reserved