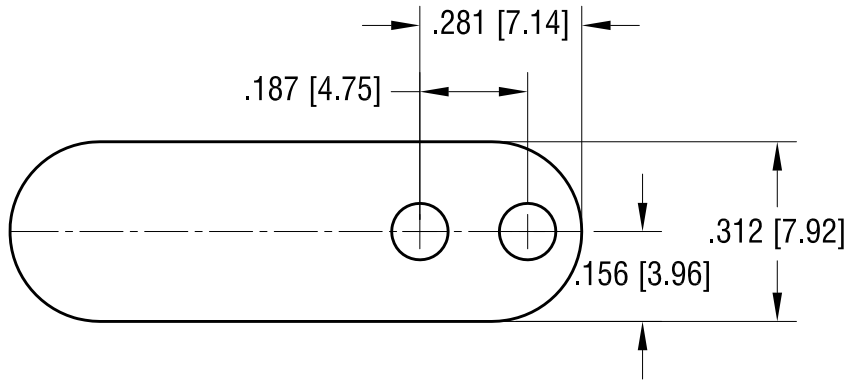
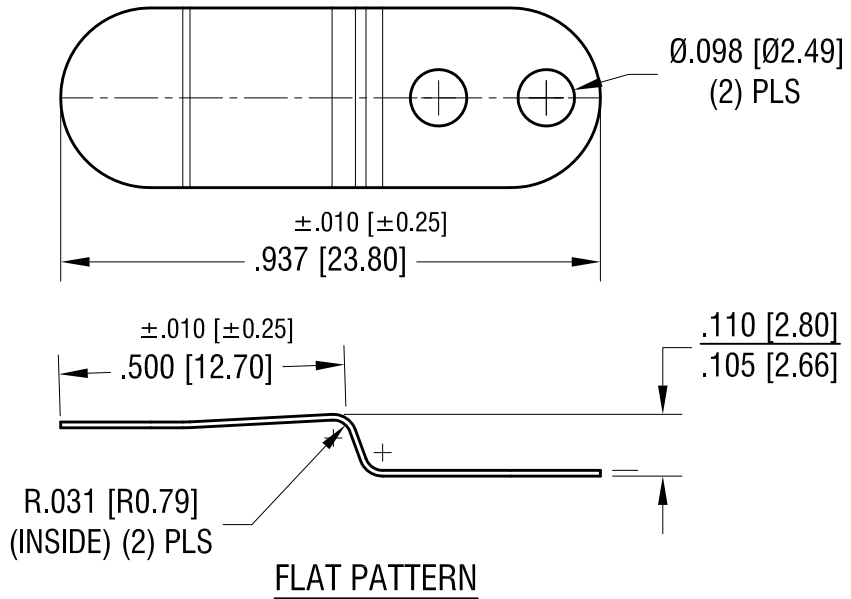
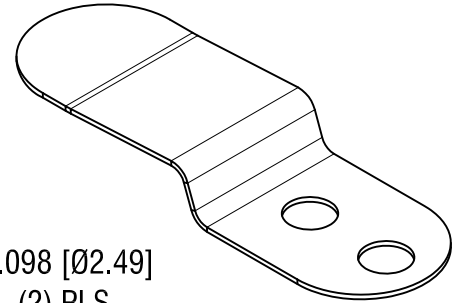


THIS DOCUMENT IS THE PROPERTY OF
KEYSTONE ELECTRONICS CORP. AND
SHALL NOT BE REPRODUCED, DISTRIBUTED
OR USED AS A BASIS FOR MANUFACTURE
WITHOUT PRIOR WRITTEN PERMISSION
FROM KEYSTONE ELECTRONICS CORP.



KEYSTONE ELECTRONICS CORP.			
www.keyelco.com • ASTORIA, N.Y. 11105-2017 • Tel (718) 956-8900			
PART NAME		SPRING CONTACT	
MATERIAL		.010 [0.25] TH'K PHOSPHOR BRONZE	
FINISH		DRN BY LN	DATE 11.25.81
NICKEL PLATE		APP'D LN	SCALE 3X
		DWG NO.	
TOLERANCES	INCH [MM]	CODE	115
DECIMAL	$\pm .005$ [± 0.13]	C/M	
ANGULAR	$\pm 1^\circ$		
UNLESS OTHERWISE SPECIFIED			

2.23.11	REDRAWN IN CAD FORMAT	—
DATE	DESCRIPTION	REV.