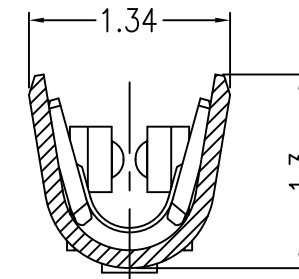
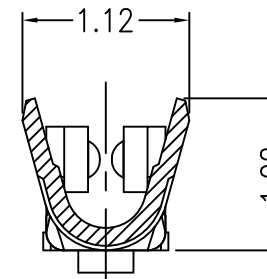
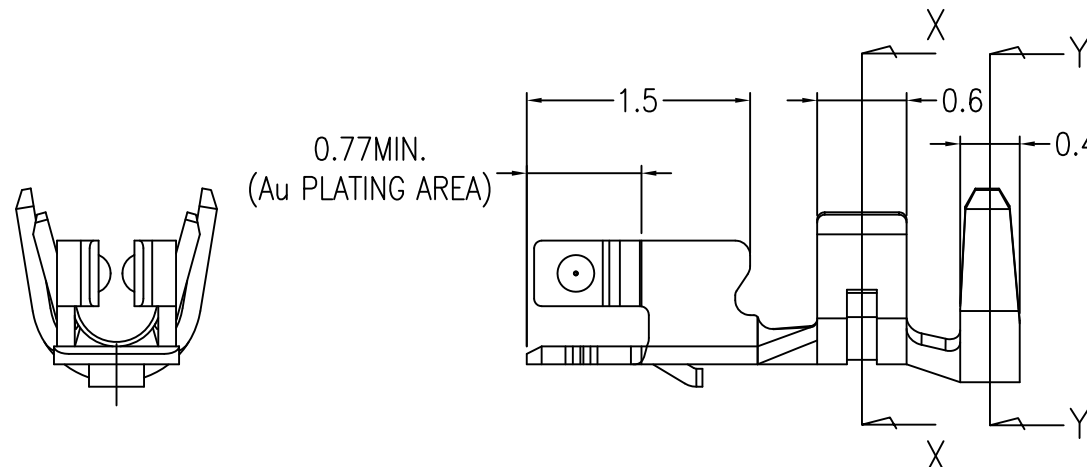
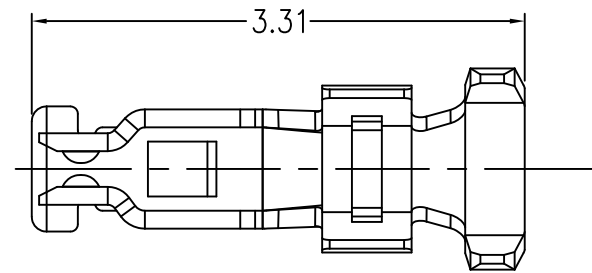
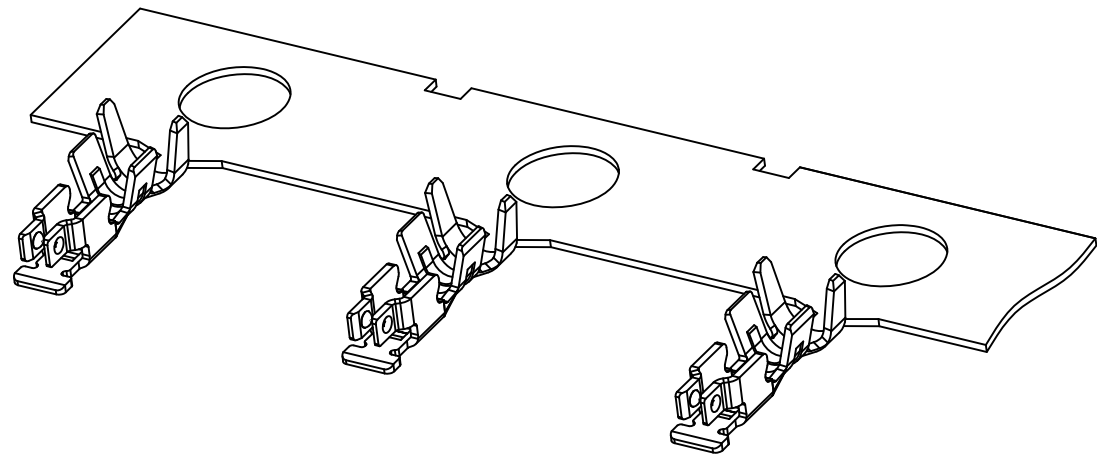


PRODUCT NO.

10125837-001**GLF



CROSS SECTION X-X
(CONDUCTOR BARREL)

CROSS SECTION Y-Y
(INSULATION BARREL)

NOTE

1. APPLICABLE HOUSING ; 10125836-*****
2. MATERIAL ; COPPER ALLOY
3. PLATING ; Au PLATING
Ni UNDER PLATING
4. SPECIFICATIONS
PRODUCT SPEC: GS-12-1189
PACKAGING SPEC: GS-14-2373
APPLICATION SPEC: GS-20-0393
5. Applicable crimp tool:
a. Japan Automatic Machine ; EFS868900-UP
b. Japan Chain Terminal ; OR-02-131Y
6. This product meets European Union Directives and other country regulations as described in GS-47-0004.
7. "A" symbol will be next to any dimension, view, or note which has been modified with the current drawing revision."

Hitachi Metals,LTD : UL STYLE 10368 (HALOGEN FREE AS RoHS COMPLIED WIRES)

	SPECIFICATIONS				
	AWG#	STRANDING (No./mm)	SECT. AREA (mm ²)	INSULATION O.D (mm)	RATING
UL 10368 STRANDED WIRE	28	7/0.127	0.089	0.88	105 deg. C , 300V
	30	7/0.102	0.057	0.8	105 deg. C , 300V

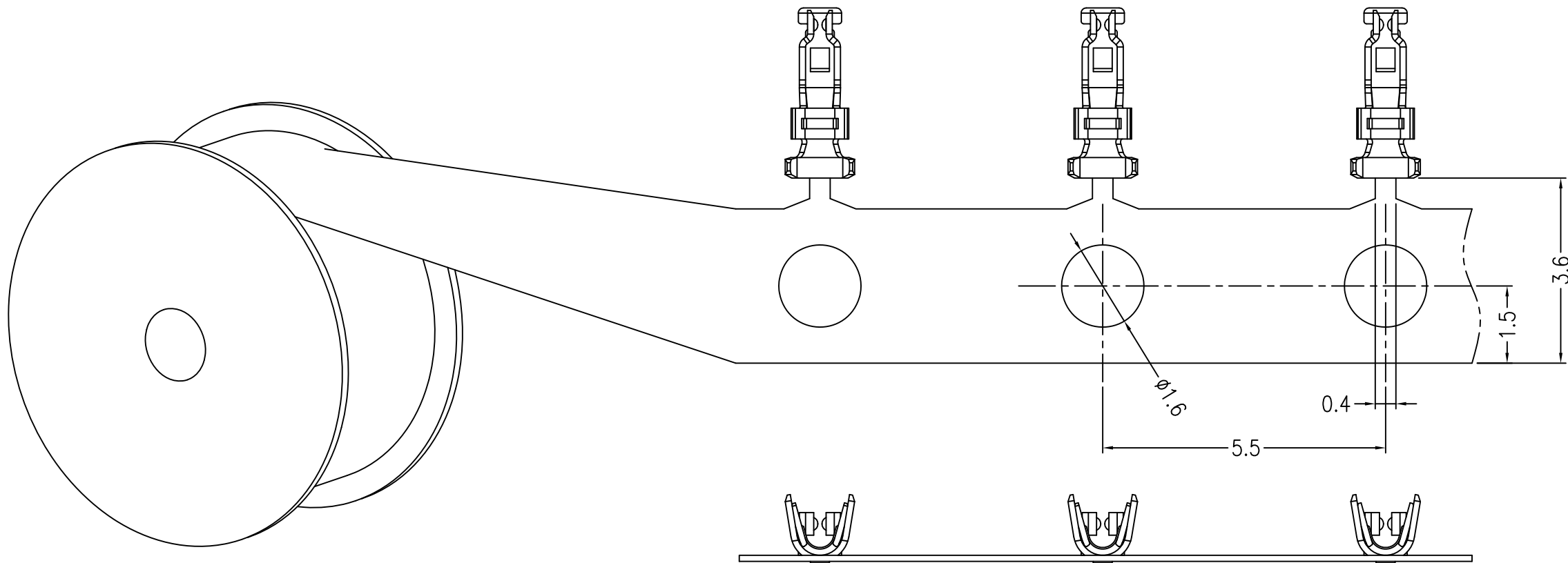
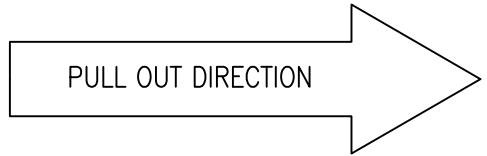
SUZHOU RENDE SCIENCE AND TECHNOLOGY : UL STYLE 10368 (HALOGEN FREE AS RoHS COMPLIED WIRES)

	SPECIFICATIONS				
	AWG#	STRANDING (No./mm)	SECT. AREA (mm ²)	INSULATION O.D (mm)	RATING
UL 10368 STRANDED WIRE	30	7/0.1	0.055	0.75	105 deg. C , 300V

25,000 x 5REEL = 125,000		25,000		CHAIN	10125837-001GLF
25,000 x 1REEL = 25,000					10125837-001SPGLF
PRODUCT QTY / BOX		PRODUCT QTY / REEL		FORM	PRODUCT NO.
mat'l. code SEE_TABLE		surface ISO 1302 ✓ ISO 406 ISO 1101		projection product family	
ltr ecn no dr date		tolerances unless otherwise specified		title	
A Y.K 2013-10-25		angles linear 0.X/±0.3		CRIMP TERMINAL	
B ELX-J-17474 Y.K 2014-04-16		0.XX/±0.3		FOR 1.2mm PITCH WTB CONNECTOR	
C ELX-J-25457 Y.K 2016-11-25		0.XXX/±0.3		MM	
		0°±3'		scale 20:1	
		dr Y.KAMEDA 2014-04-16		dwg no sheet 1 of 4 size 5	
		enr Y.KAMEDA 2014-04-16		10125837 A3	
		chr H.SUZUKI 2014-04-16		type CUSTOMER Drawing	
		appd N.SASAME 2014-04-16			
sheet index	revision sheet	C 1	C 2	C 3	C 4

PRODUCT NO.

10125837-001**GLF



Amphenol
FCi

© 2016 AFci

CHAIN 10125837-001**GLF

FORM PRODUCT NO.

mat'l. code		surface		tolerance		projection		product family	
SEE_TABLE		ISO 1302 ✓		ISO 406 ISO 1101				title	
ltr	ecn no	dr	date	tolerances unless otherwise specified		MM		CRIMP TERMINAL	
A		Y.K	2013-10-25	angles	linear			FOR 1.2mm PITCH WTB CONNECTOR	
B	ELX-J-17474	Y.K	2014-04-16			scale 10:1		dwg no	
C	ELX-J-25457	Y.K	2016-11-25	0°±3'				sheet 2 of 4	
				dr	Y.KAMEDA	2014-04-16		size	
				enr	Y.KAMEDA	2014-04-16		10125837	
				chr	H.SUZUKI	2014-04-16		A3	
				appd	N.SASAME	2014-04-16		type	
sheet index		revision sheet						CUSTOMER Drawing	

PRODUCT NO.

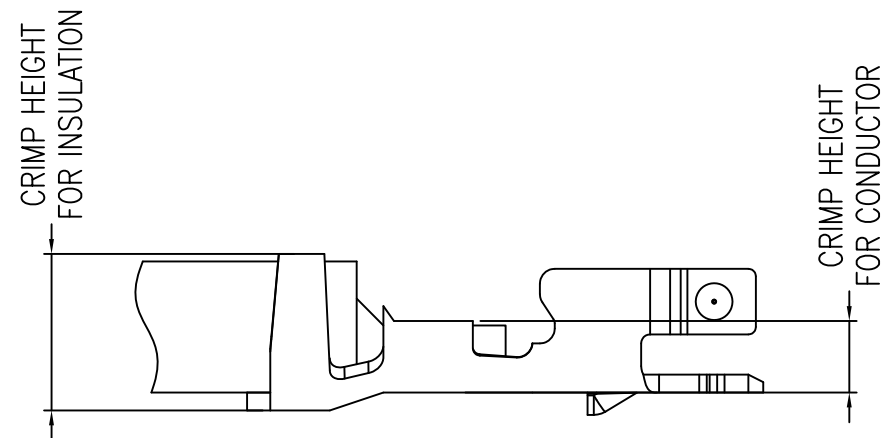
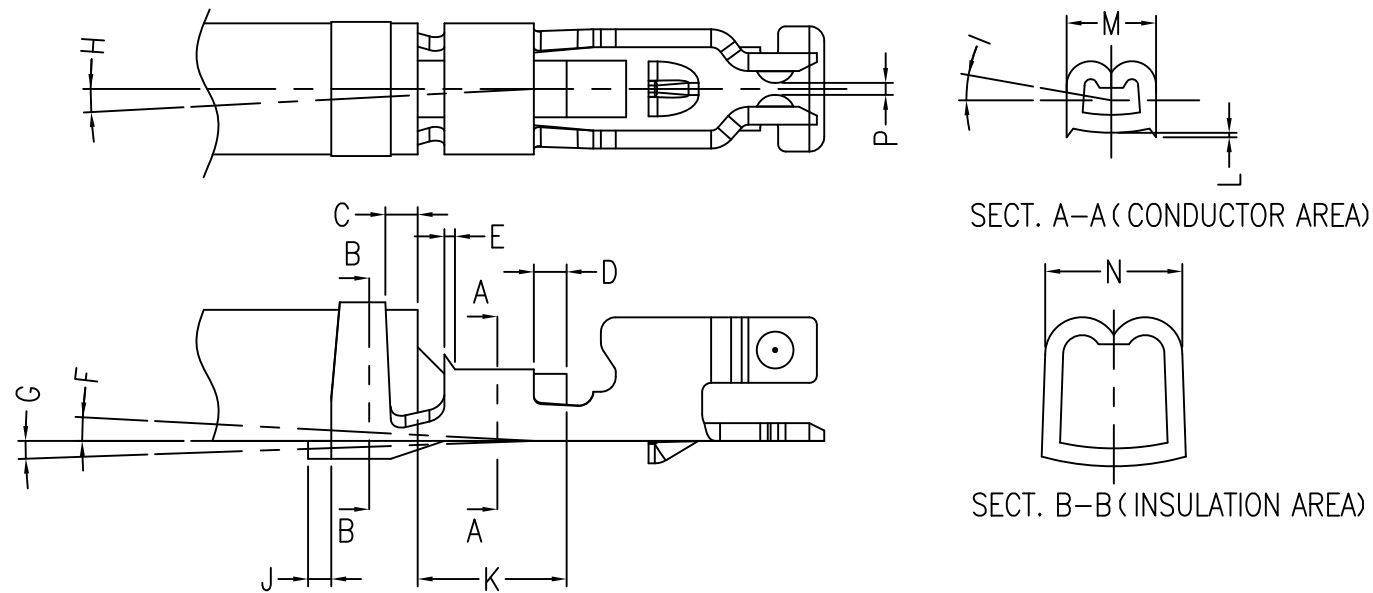
10125837-001**GLF

SPECIFICATION

ITEM		REQUIREMENT	NOTE
INSULATION POSITION	C	0.1~0.25mm (REF.)	
EXTRUDED WIRE LENGTH	D	0.1~0.5mm (REF.)	
BELL MOUTH	E	0.1~0.25mm (REF.)	
BEND UP	F	3° MAX.	
BEND DOWN	G	2° MAX.	
TWISTING	H	±3° MAX.	
ROLLING	I	±3° MAX.	
CUT OFF TAB LENGTH	J	0.1mm MAX.	
WIRE STRIP LENGTH	K	1~1.3mm (REF.)	BEFORE STRIP LENGTH
HEIGHT OF CUT-OUT TEETH	L	0.05mm MAX.	
WIDE (CONDUCTOR BARREL)	M	0.95mm MAX.	
WIDE (INSULATION BARREL)	N	0.95mm MAX.	
CONTACT GAP	P	0.08mm (REF.)	

AFTER CRIMPING, THE CRIMPED AREA SHOULD BE AS BELOW TABLE.

	CRIMP CONDITION			
	WIRE SIZE (AWG)	CRIMP HEIGHT		CRIMP STRENGTH (N)
		CONDUCTOR SIDE (mm)	INSULATION SIDE (mm) (REFERENCE)	
UL 10368 STRANDED WIRE (HITACHI METALS)	#28	0.44~0.48	1.0~1.05	10
	#30	0.43~0.48	0.95~1.0	5
UL 10368 STRANDED WIRE (SUZHOU RENDE SCIENCE AND TECHNOLOGY)	#30	0.42~0.47	0.91~0.95	5



CHAIN	10125837-001**GLF
FORM	PRODUCT NO.

mat'l. code		surface		tolerance		projection		product family	
SEE_TABLE		ISO 1302 ✓		ISO 406 ISO 1101					
		tolerances unless otherwise specified		0.X/±0.3		MM		title	
ltr		ecn no		dr		date		CRIMP TERMINAL	
A		Y.K		2013-10-25				FOR 1.2mm PITCH WTB CONNECTOR	
B		ELX-J-17474		Y.K		2014-04-16			
C		ELX-J-25457		Y.K		2016-11-25		scale 20:1	
		dr		Y.KAMEDA		2014-04-16		dwg no	
		enr		Y.KAMEDA		2014-04-16		sheet 3 of 4	
		chr		H.SUZUKI		2014-04-16		size	
		appd		N.SASAME		2014-04-16		A3	
sheet index		revision sheet						type	
								CUSTOMER Drawing	

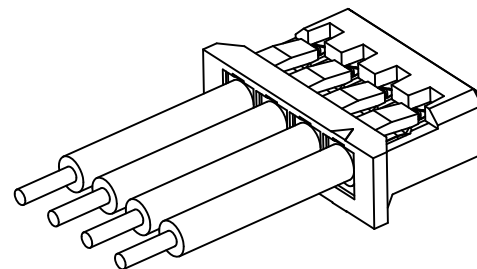
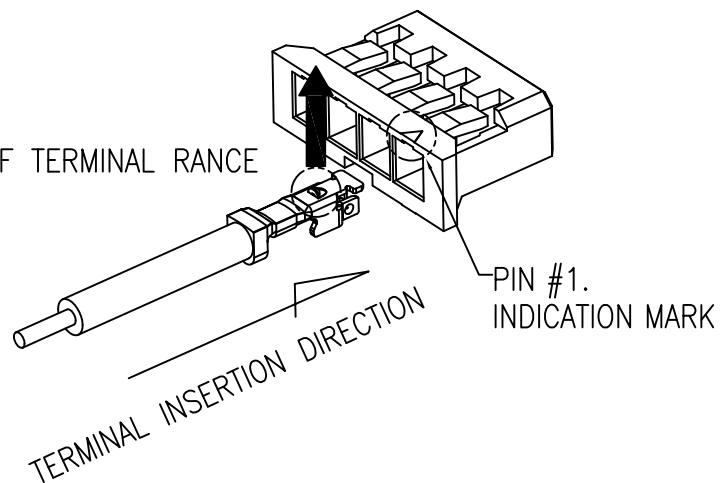
PRODUCT NO.

10125837-001**GLF

*TERMINAL INSERTION DIRECTION

AFTER TERMINAL INSERTION

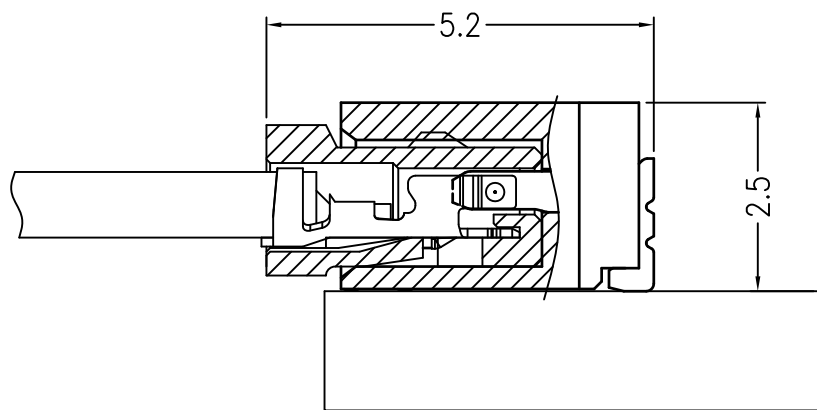
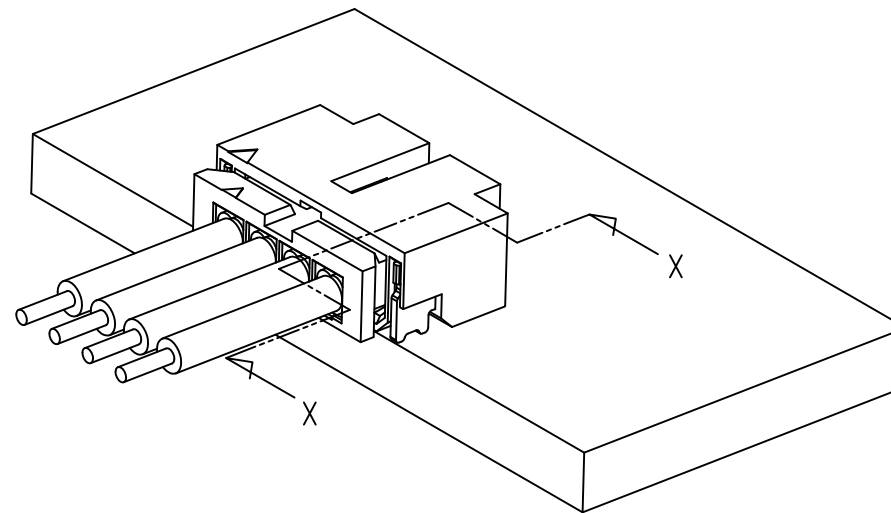
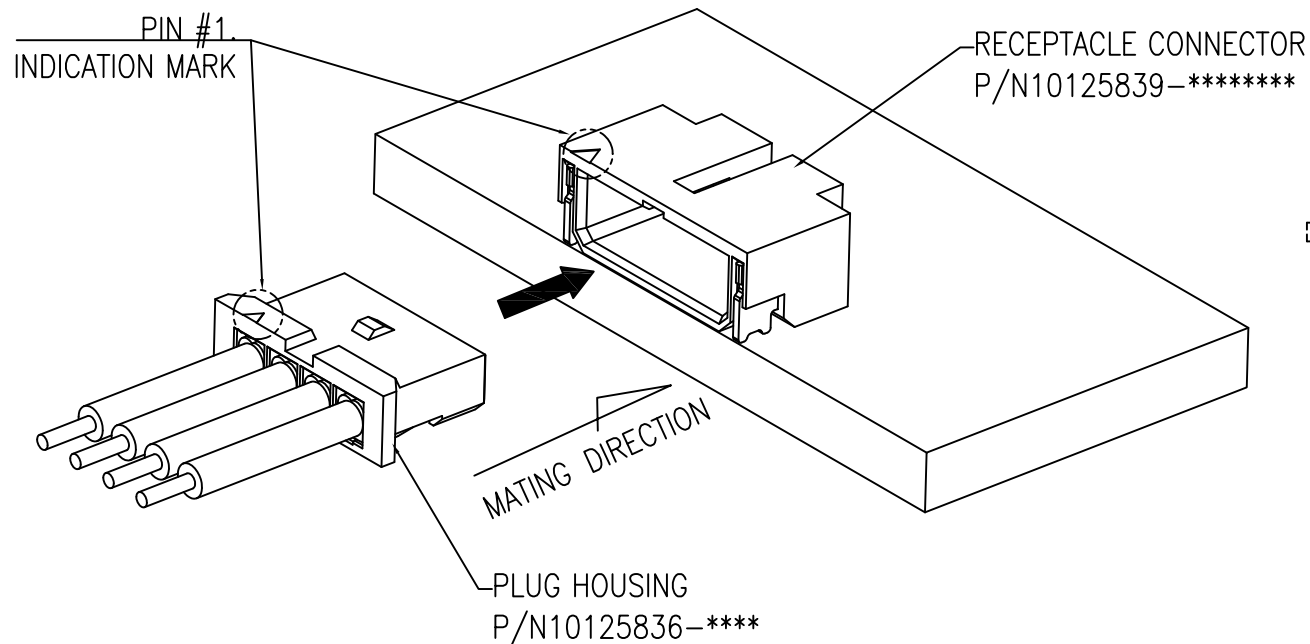
DIRECTION OF TERMINAL RANGE



*NOTE THE DIRECTION OF THE TERMINAL RANGE WHEN THE TERMINAL ENTER THE HOUSING. (REFER TO THE UPPER FIGURE)

BEFORE MATING CONDITION

AFTER MATING CONDITION



SECTION X-X (SCALE: 10:1)

mat'l. code		surface		tolerance		projection		product family	
SEE_TABLE		ISO 1302 ✓		ISO 406 ISO 1101					
ltr	ecn no	dr	date	tolerances unless otherwise specified		MM		title	
A		Y.K	2013-10-25	angles	linear	0.X/±0.3		CRIMP TERMINAL	
B	ELX-J-17474	Y.K	2014-04-16			0.XX/±0.3		FOR 1.2mm PITCH WTB CONNECTOR	
C	ELX-J-25457	Y.K	2016-11-25			0.XXX/±0.3		scale 5:1	
				dr	Y.KAMEDA	2014-04-16		dwg no	sheet 4 of 4
				enr	Y.KAMEDA	2014-04-16		10125837	A3
				chr	H.SUZUKI	2014-04-16		type	
				appd	N.SASAME	2014-04-16		CUSTOMER Drawing	
sheet index	revision sheet								