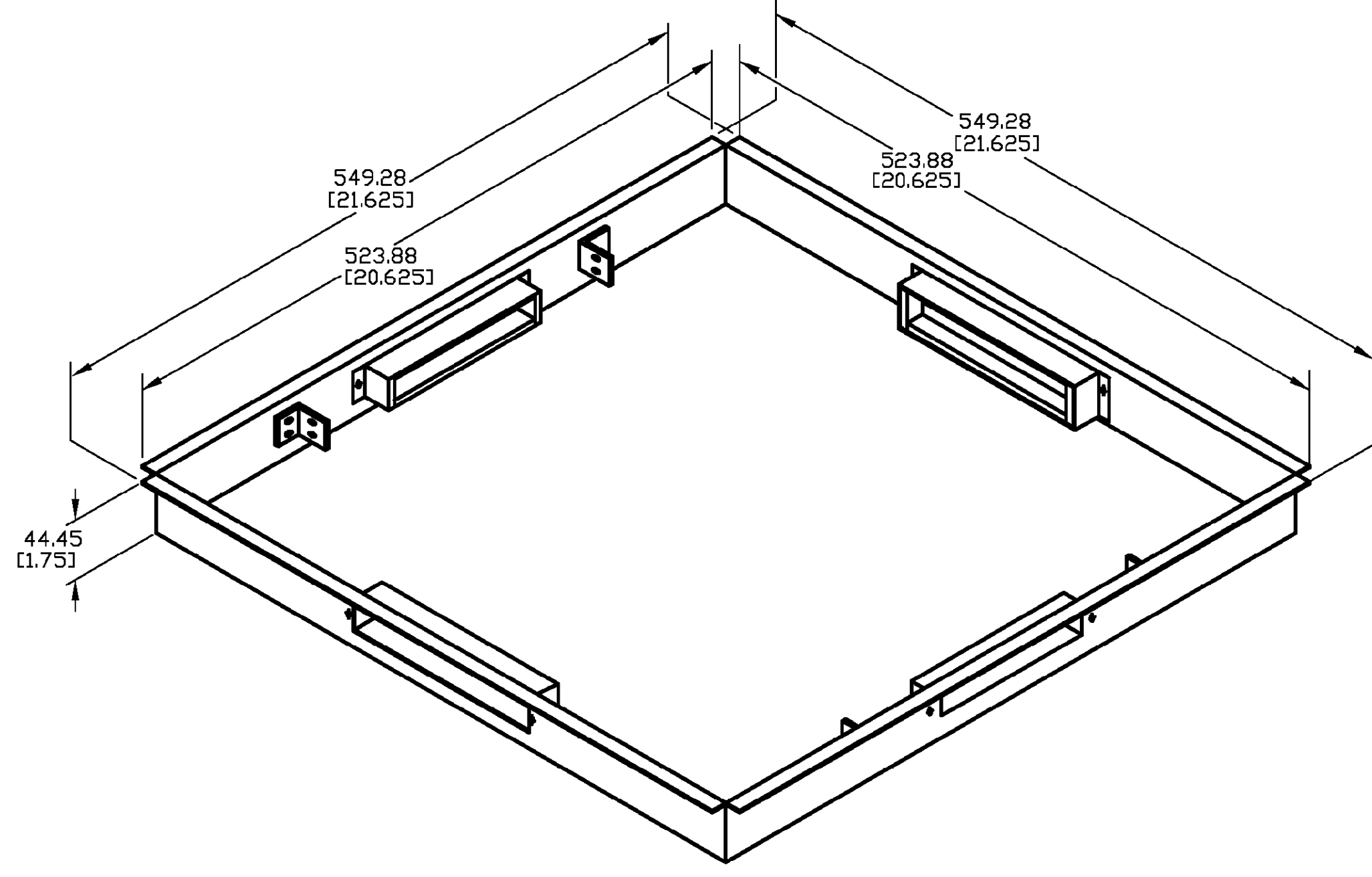


THIS DRAWING IS UNPUBLISHED. RELEASED FOR PUBLICATION  
 © COPYRIGHT BY TYCO ELECTRONICS CORPORATION. ALL RIGHTS RESERVED.

LOC	DIST	REVISIONS					
		P	LTR	DESCRIPTION	DATE	DWN	APVD
HM	00	A		REV; EC 0B40-0190-02	12JUL02	GG	SH

- 1 MATERIAL: .06 ALUMINUM, FINISH: MILL
- 2. PACKAGE 1 PER BOX.



1479158-1  
PART NO.

THIS DRAWING IS A CONTROLLED DOCUMENT.		DWN L HALL 26FEB02	Tyco Electronics Corporation Harrisburg, PA 17105	
DIMENSIONS: MM [INCHES]		CHK S HERNDON 27FEB02	NAME RAISED FLOOR 1.75" BOX FOR PATCH PANELS	
TOLERANCES UNLESS OTHERWISE SPECIFIED: 0 PLC ± 1 PLC ± 2 PLC ± .03 3 PLC ± .010 4 PLC ± ANGLES ±		APVD S HERNDON 27FEB02	RESTRICTED TO	
MATERIAL 1	FINISH 1	PRODUCT SPEC APPLICATION SPEC WEIGHT	SIZE A2	CAGE CODE 00779
CUSTOMER DRAWING		DRAWING NO 1479158	SCALE NTS	
		SHEET 1 OF 1		REV A