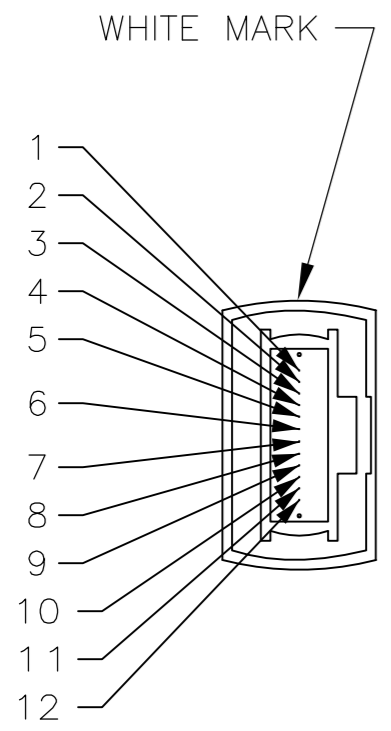
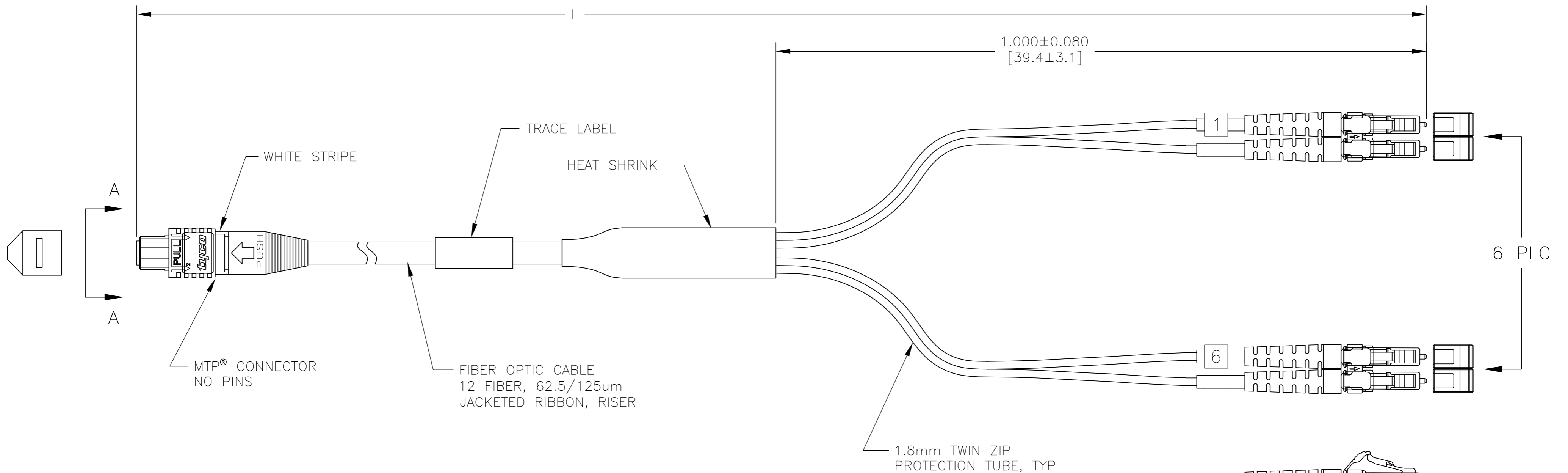


THIS DRAWING IS UNPUBLISHED. RELEASED FOR PUBLICATION
 © COPYRIGHT - By - ALL RIGHTS RESERVED.

LOC	DIST	REVISIONS					
CE	16	P	LTR	DESCRIPTION	DATE	DWN	APVD
		C		ECO-15-003451	08JUN2015	BB	JO



MTP® FIBER NO	LC CONNECTOR
1	1A
2	1B
3	2A
4	2B
5	3A
6	3B
7	4A
8	4B
9	5A
10	5B
11	6A
12	6B

- MAXIMUM INSERTION LOSS (1300nm): MTP® = 1.0dB
LC = 0.5dB
- PRODUCT AND PROCESSING MUST MEET REQUIREMENTS OF TEC-138-702.

25.000±0.250 [984.3±9.8]	2-6754870-5
2.000±0.080 [78.7±3.1]	6754870-2
1.500±0.080 [59.1±3.1]	6754870-1
L METERS [INCHES]	PART NUMBER

VIEW A-A
NOT TO SCALE

MTP® CONNECTOR FIBER PATH

THIS DRAWING IS A CONTROLLED DOCUMENT.		DWN	KATHY HE	10FEB06	TE TE Connectivity			
DIMENSIONS: mm [INCHES]		CHK	J. BARRY	10FEB06				
TOLERANCES UNLESS OTHERWISE SPECIFIED:		APVD	J. BARRY	10FEB06	NAME CABLE ASSEMBLY, FIBER OPTIC, 12 FIBER 62.5/125um JACKETED RIBBON, MTP® NO/PINS TO 6 LC DUPLEX			
0 PLC ± -		PRODUCT SPEC						
1 PLC ± -		APPLICATION SPEC			SIZE	CAGE CODE	DRAWING NO	RESTRICTED TO
2 PLC ± -		WEIGHT	-		A2	00779	C-6754870	-
3 PLC ± -		CUSTOMER DRAWING			SCALE	NTS	SHEET	1 OF 1
4 PLC ± -								REV
ANGLES ± -								C
FINISH								