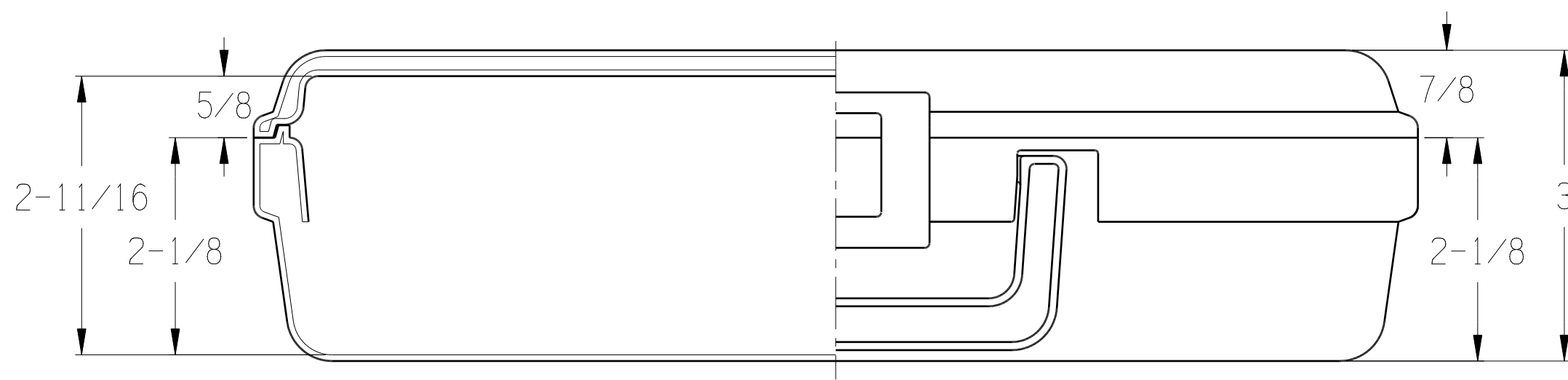
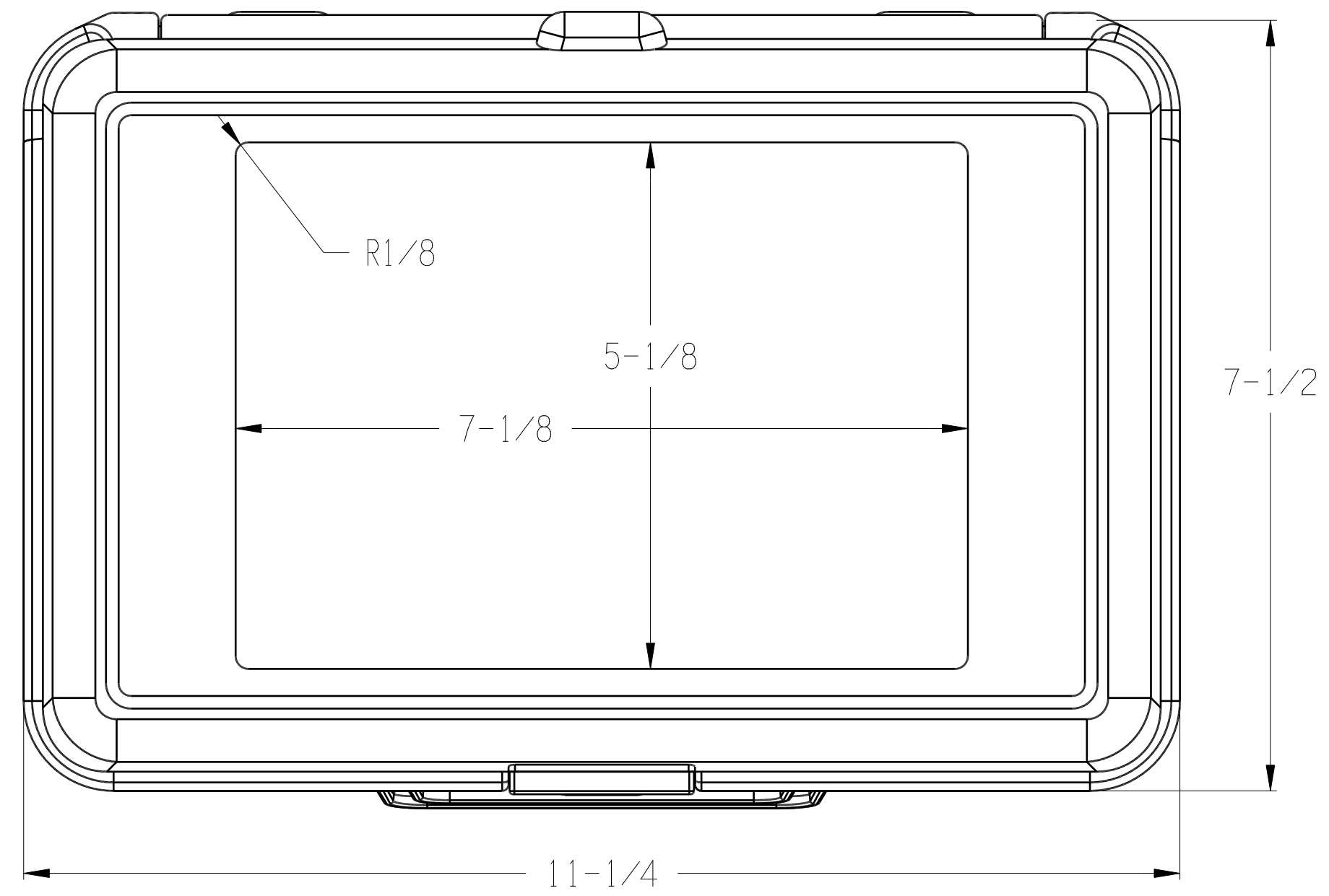



REV		DATE	APPROVED
-----	--	------	----------



NOTE:
SECTIONS ARE REPRESENTATIVE OF
NOMINAL DIMENSIONS AND SHOULD
NOT BE USED FOR DESIGN PURPOSES.

THIS DOCUMENT IS THE PROPERTY OF THE PLASTIC FORMING CO., INC.
AND THE INFORMATION CONTAINED HEREIN IS CONSIDERED CONFIDENTIAL.
THIS DOCUMENT IS NOT TO BE USED, REPRODUCED, OR DISCLOSED IN WHOLE
OR IN PART WITHOUT THE WRITTEN PERMISSION OF THE PLASTIC FORMING CO., INC.

TOLERANCES U.O.S.		SYM		DESCRIPTION		MATL		REQ	
FRACTIONS:	±1/16			 THE PLASTIC FORMING CO. 20 SO. BRADLEY RD. WOODBRIDGE, CONN. 06525 Copyright © Rights Reserved					
X:	±.025			TITLE: 11-1/4 X 7-1/2 X 3" SparkFun Electronics W-Custom Label Recess					
XX:	±.020								
XXX:	±.015								
W.O. NO.		SCALE:	Full	SIZE:	C	DATE:	06/20/2017	REV:	
DRAWN:	AGA	CHKD:	PMP	PRI. NO.:	113-075-030-514	SHEET:		1 of 1	