

## RFA-25-C2M2-U-M70

### Specifications

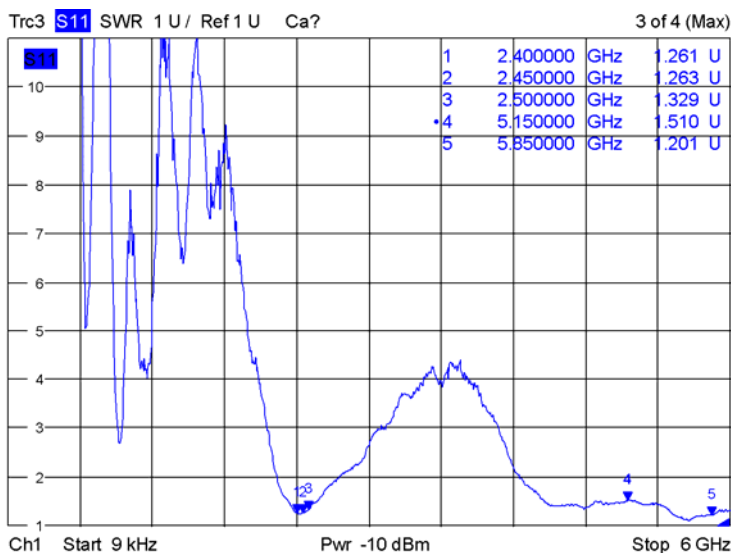
Frequency range	2400 MHz – 2500 MHz	5150 MHz -5875 MHz
Gain	2 dBi	2 dBi
VSWR	2.0 : 1 Max.	2.0 : 1 Max.
Polarization	Linear, vertical	Linear, vertical
Power handling	2 W (cw)	2 W (cw)
Impedance	50 $\Omega$	50 $\Omega$
Connector	RP SMA PLUG	



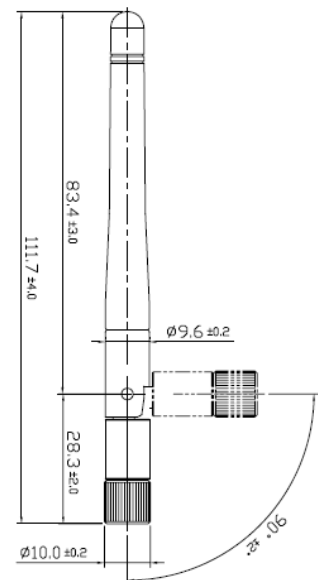
### Environmental & Mechanical Characteristics

Temperature	-10°C to +55°C
Humidity	95% @ 25°C
Radome color	Black

### VSWR

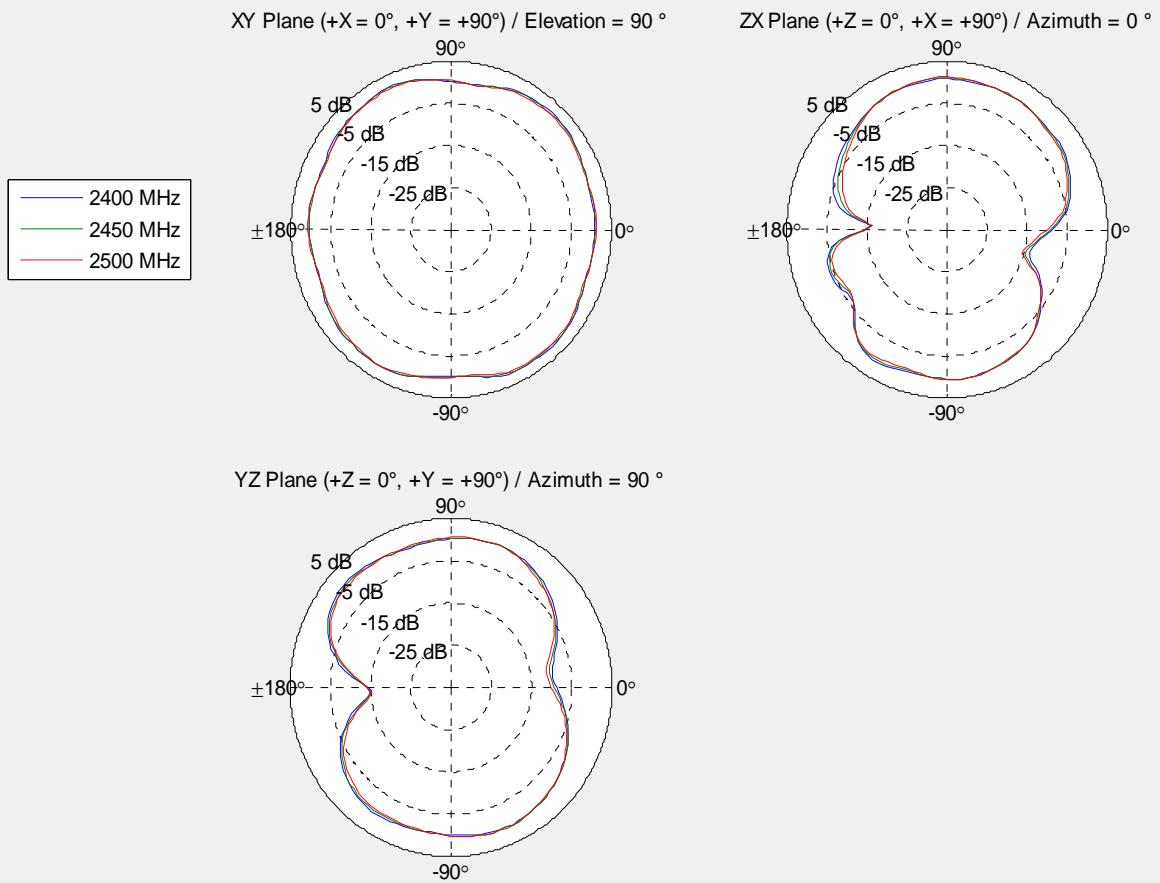


Date: 12.JUN.2015 18:43:37

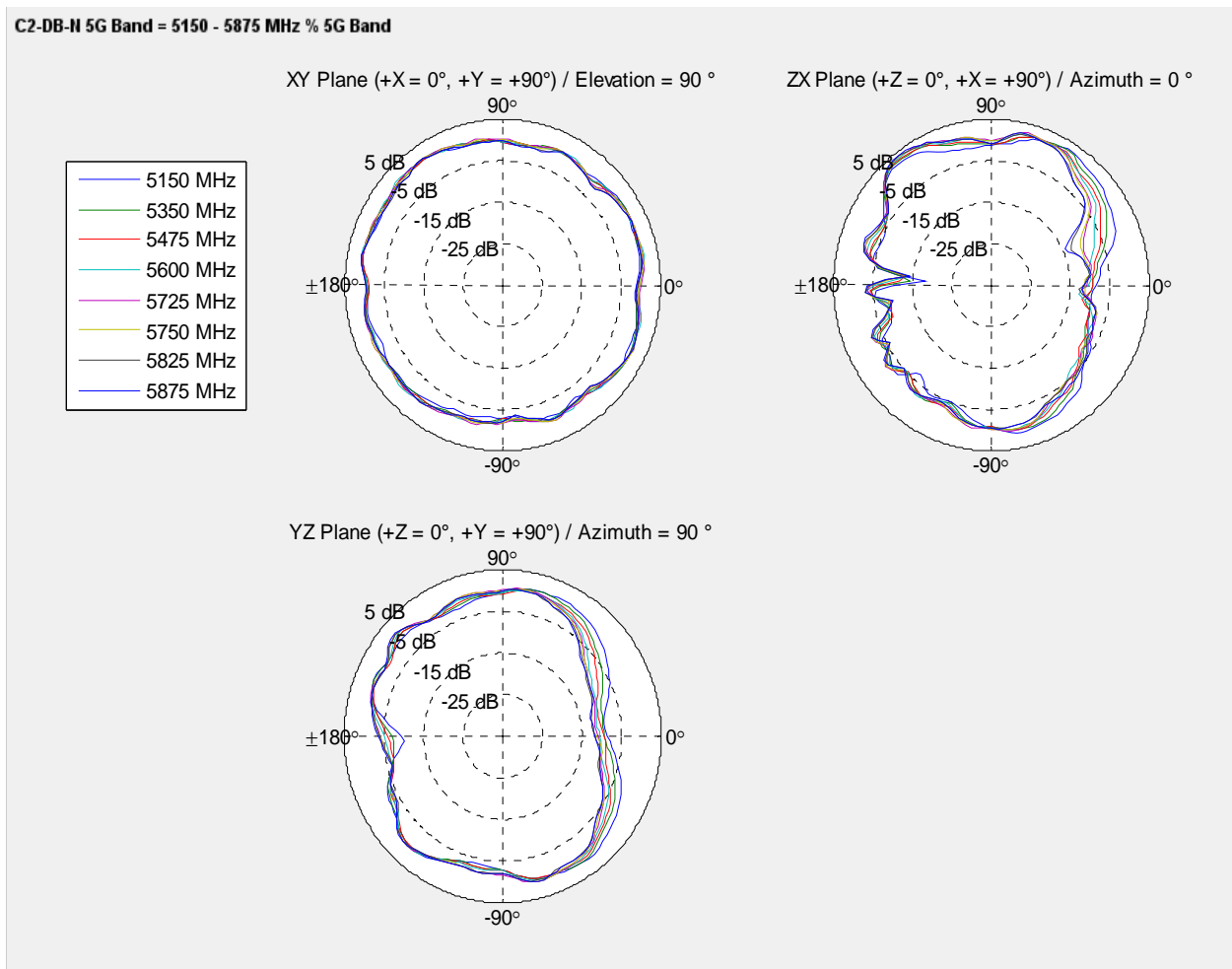


Radiation Pattern

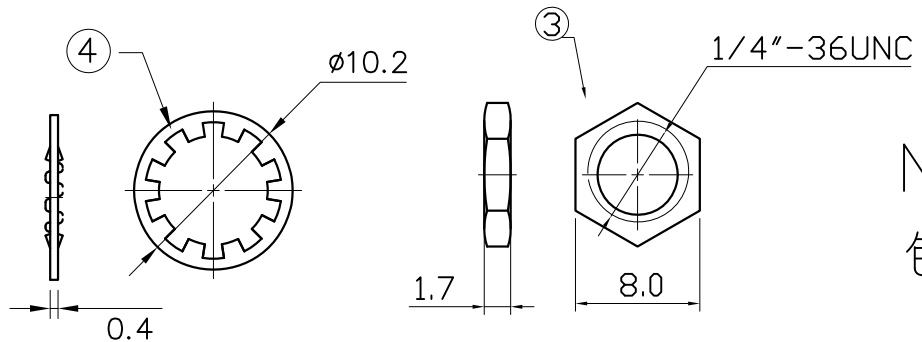
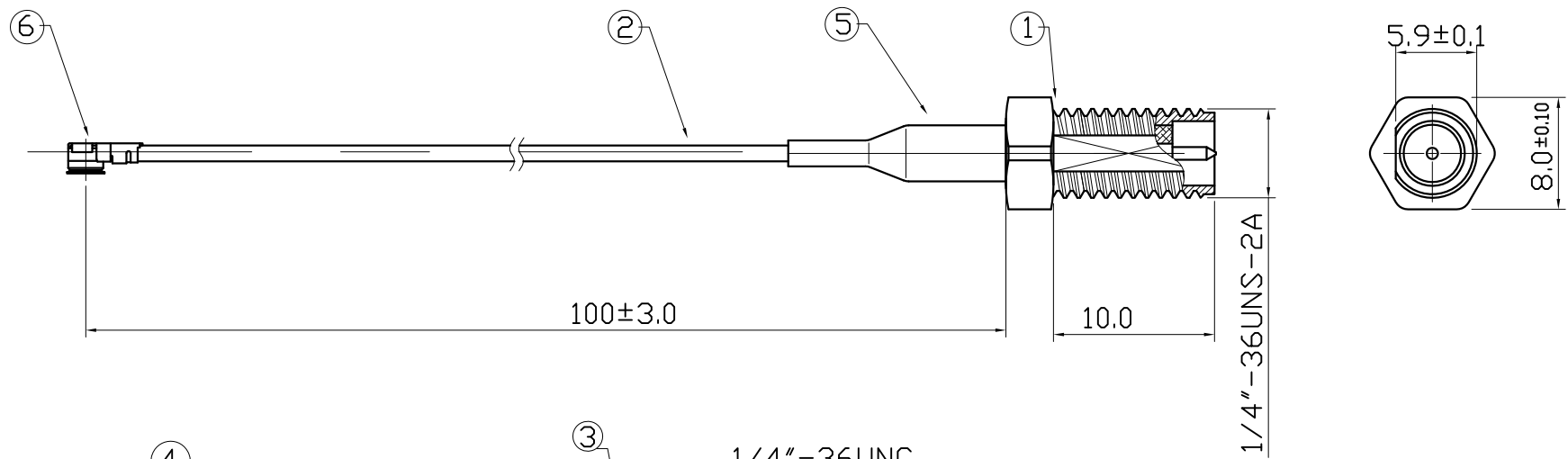
C2-DB-N 2G Band = 2400 - 2500 MHz % 2G Band



## Radiation Pattern



NO.	NAME	FINISH	MAT'L	Q'TY	MEMO
1.	Connector	GOLD PLATED	BRASS	1	RP SMA JACK
2.	Cable	BLACK	--	1	Ø1.13
3.	Nut	GOLD PLATED	BRASS	1	
4.	Washer	GOLD PLATED	BRASS	1	
5.	Heat-Shrinkable	BLACK	PE	1	
6.	CONNECTOR	GOLD PLATED	BRASS	1	IPEX



Note:  
 包裝時 ③ ④ 兩件與線材分開包裝

	TOLERANCE UNLESS OTHERWISE SPECIFIED		亞驪企業股份有限公司 ARISTOTLE ENTERPRISES INC.	
	LINEAR	ANGLE	TITLE	
	.0 ± 0.10	X° REF ± 0.5	BTC013-1-70B-100-05	
UNITS	.00 ± 0.05	SHEET		
MM	.000± 0.01	1/1		
REV.	APPD.	DWG NO.		
2.	CHKD.	BTC013-1-70B-100-05		
1.	DESIGN	REV.		
REV	SIZE	A		
ECN	SCALE	2/1		
	NAME	DRAW		
	DATE	Gino		
		2016/10/24		

3.				REV.		APPD.		
2.						CHKD.		
1.				SIZE	SCALE	DESIGN		
REV	ECN	NAME	DATE	A4	2/1	DRAW	Gino	2016/10/24