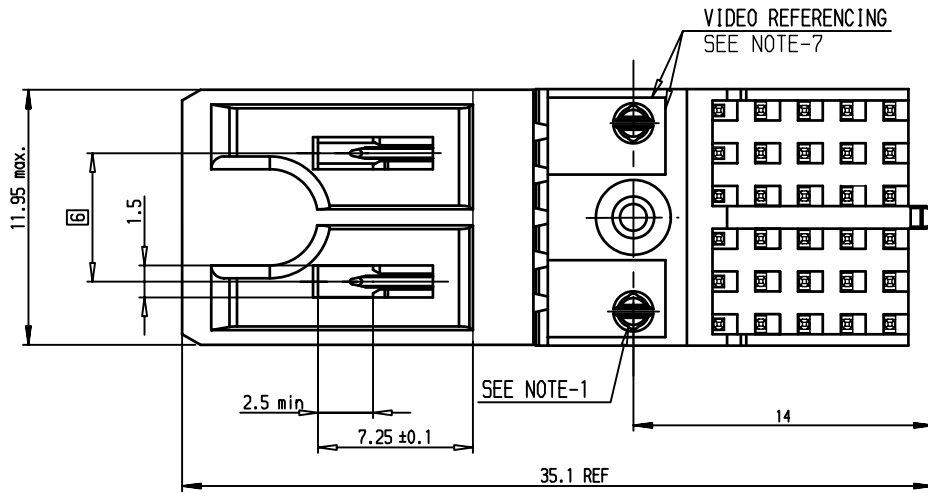


GENERAL CHARACTERISTICS AND ROHS INFORMATIONS:

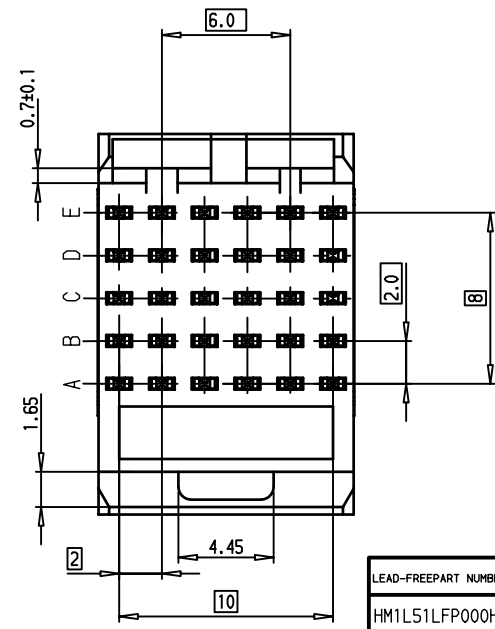
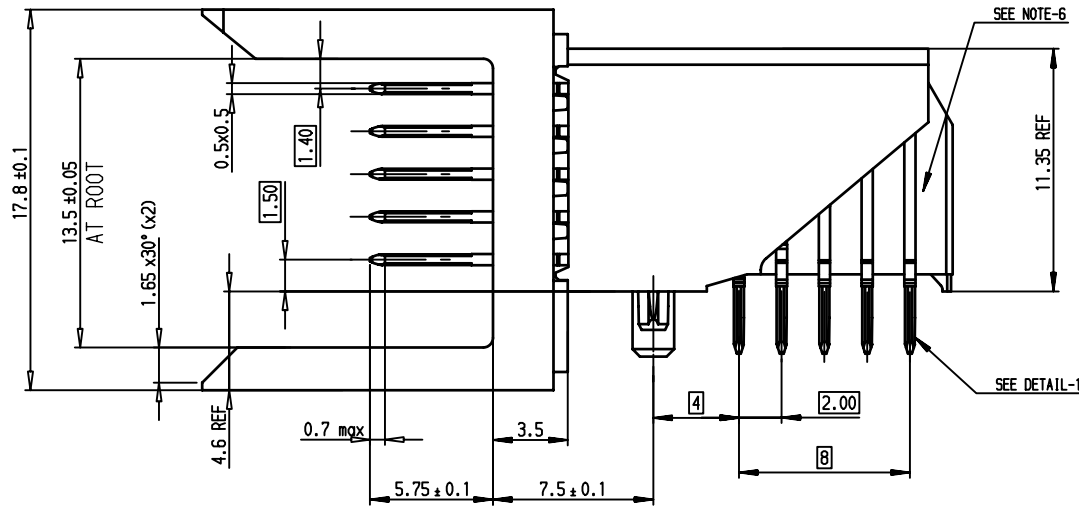
See PRODUCT SPECIFICATION: 6S-12-446

- NOTE-1: SPRING PEGS WITH LOW INSERTION FORCE ≤ 20 N PER MODULE
RETENTION FORCE ≥ 10 N PER MODULE
 - NOTE-2: USE EXISTING CABLE TO BOARD CODING KEYS
 - NOTE-3: PLATING ON MATING PART, SEE PRODUCT SPEC: 6S-12-446
 - NOTE-4: PRODUCT MARKING = PRODUCT PART NUMBER + FCI+DATE CODE
 - NOTE-5: TRUE POS CONTROL WITH GRID GAUGE $\varnothing 0.65$ + WEIGHT 10 N
TRUE POS TOLERANCES ACCORDING TO MOUNTING RANGE = ± 0.35 (X AND Y)
 - NOTE-6: CENTRAL WALL WITH END REAR SUPPORT
 - NOTE-7: VIDEO REFERENCING ON LISIBLE+ACCURATE SHARP PLASTIC EDGES
 - NOTE-8: IF SUFFIX "P" IS ADDED PACKAGING IS TRAYS,
BUT MARKING WILL BE WITHOUT "P"
- Example P/N: HM1L51LFP000H6PLF, Marking: HM1L51LFP0006LF

A



B

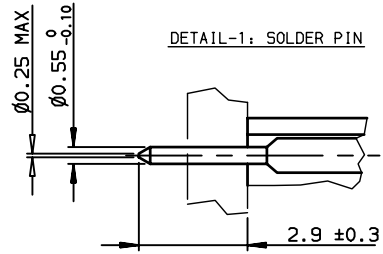


| LEAD-FREE PART NUMBER | PERFORMANCE LEVEL |
|-----------------------|--|
| HM1L51LFP000H6PLF | STANDARD P/N, See Prod. Spec 6S-12-446 |
| HM1L51LFP000HxPLF | CUSTOMER SPECIAL, Specific Plating |



Copyright FCI.

D

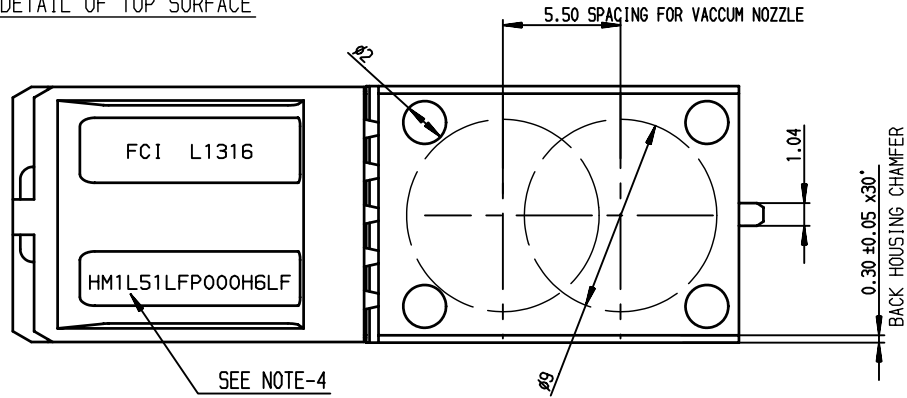


European Views

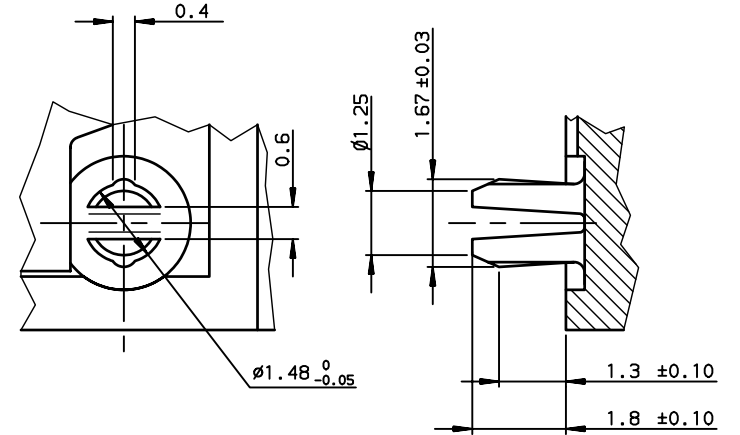
| rev | ecn no | dr | date |
|-----|-----------|-----|------------|
| A | LS07-0163 | DVE | 2007/06/11 |
| - | - | - | - |
| - | - | - | - |
| - | - | - | - |
| - | - | - | - |

| | | | | | | |
|--------------------|--------|---------------------|-----------------------------------|---------------------------|---------------------------------------|----------------|
| www.fciconnect.com | | surface ISO 1302 | tolerance std ISO 406 ISO 1101 | projection mm | TOLERANCES UNLESS OTHERWISE SPECIFIED | |
| Dr | VERITE | 2007/06/11 | ANGULAR | 0.X | ±0.1 | size |
| Eng | VERITE | 2007/06/11 | LINEAR | 0.XX | ±0.1 | A3 |
| Chr | LEGARE | 2007/06/11 | 0.XX' ±2' | 0.XXX | ±0.1 | Scale |
| Appr | LEGARE | 2007/06/11 | Product family | METRAL | | 4 |
| | | Product family | | METRAL | | ECN |
| | | Product family | | METRAL | | LS07-0163 |
| | | Product family | | METRAL | | Spec ref - |
| FCI | | title | | METRAL RA HDR PIP CONVERG | | Rev. |
| | | catalog no | | WB 5x6-without HDF | | A |
| | | catalog no | | - | | dwg no |
| | | catalog no | | - | | C-8626-11320-1 |
| | | catalog no | | - | | CUSTOMER |
| | | catalog no | | - | | sheet 1 of 3 |

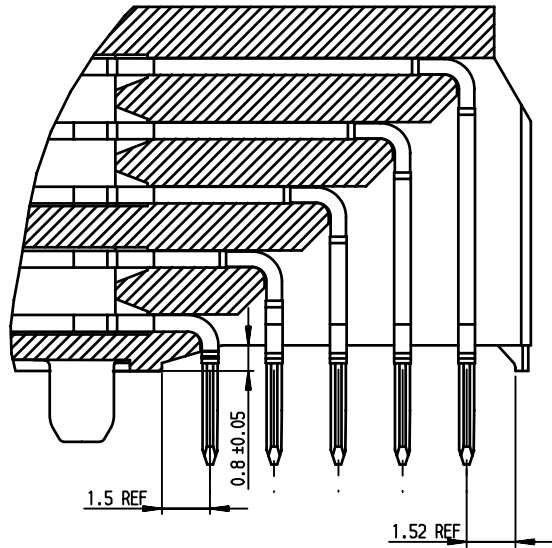
DETAIL OF TOP SURFACE



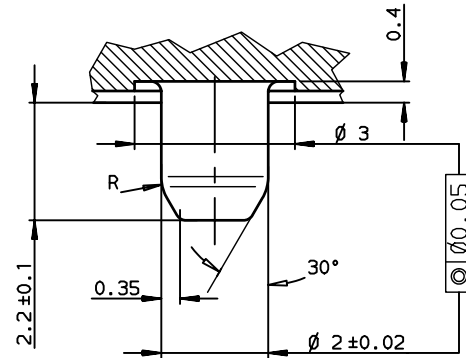
DETAIL OF RETENTION PEGS (2x) SCALE 10/1



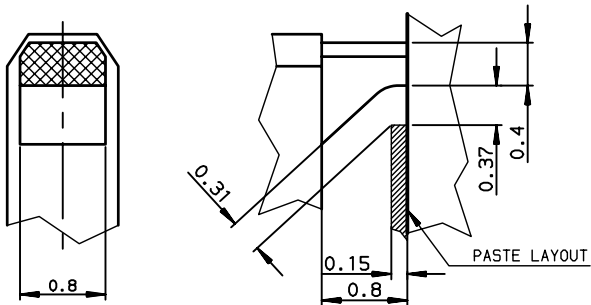
DETAIL OF STAND-OFF SCALE- 6/1



DETAIL OF CENTRAL PEG SCALE 10/1



DETAIL OF REAR SUPPORT SCALE-20/1



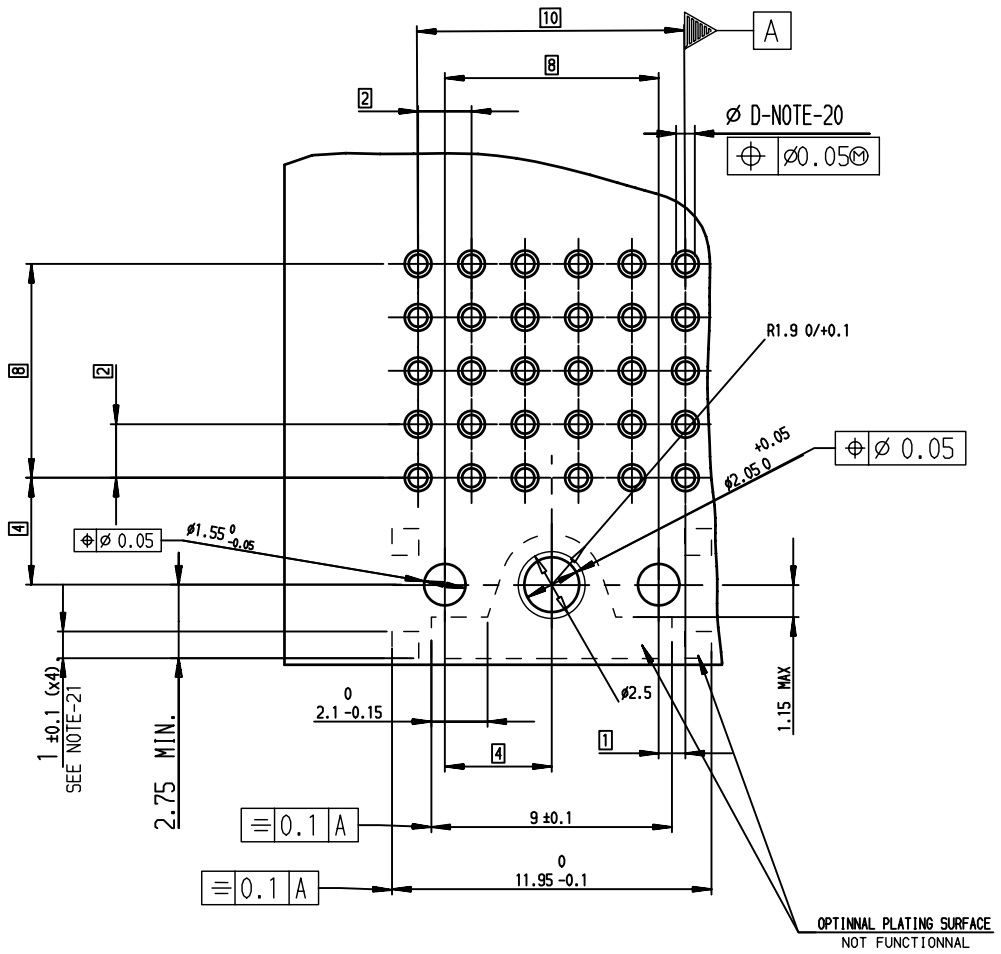
European Views

| | | | | | | | |
|--------------------|--------|---|----------------|-----------------------------------|--------------------------|---------------------------------------|-----------|
| www.fciconnect.com | | surface ISO 1302 | ✓ | tolerance std ISO 406 ISO 1101 | projection mm | TOLERANCES UNLESS OTHERWISE SPECIFIED | |
| Dr | VERITE | 2007/06/11 | ANGULAR | 0.X | ±0.1 | size | Scale |
| Eng | VERITE | 2007/06/11 | LINEAR | 0.XX | ±0.1 | A3 | 4 |
| Chr | LEGARE | 2007/06/11 | 0.XX' ±2' | 0.XXX | ±0.1 | ECN | LS07-0163 |
| Appr | LEGARE | 2007/06/11 | Product family | METRAL | | Spec ref | - |
| | | METRAL RA HDR PIP CONVERG title WB 5x6-without HDF | | | dwg no C-8626-11320-2 | Rev. A | |
| catalog no | | - | | CUSTOMER | sheet 2 of 3 | | |



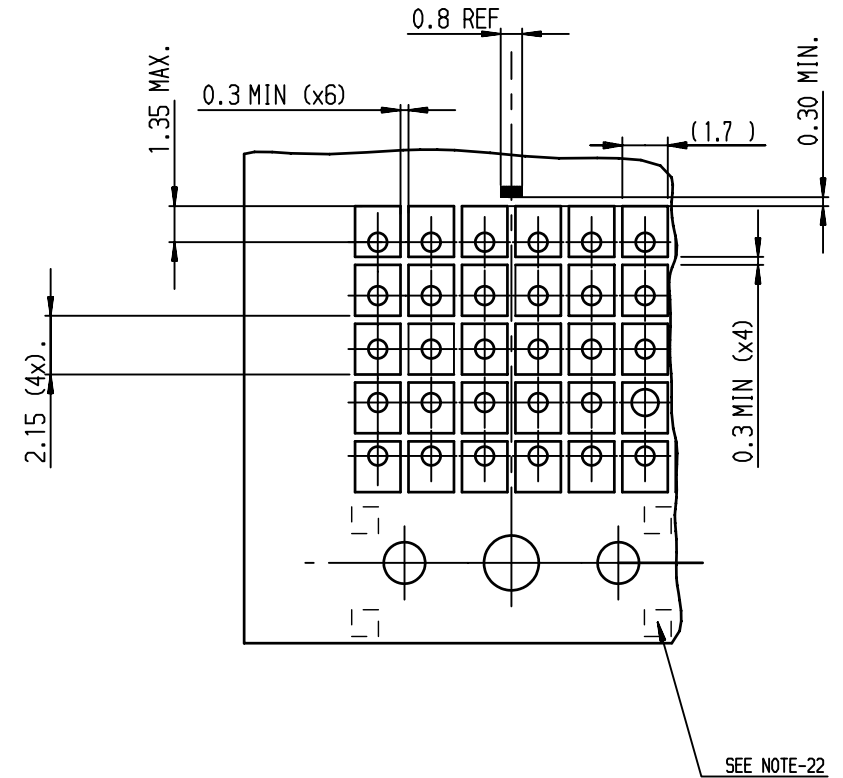
Copyright FCI.

RECOMMENDED PCB LAYOUT



NOTE-20: PTH DIMENSIONS - ØD
 - DRILL DIAMETER = (0.85 REF) and Plating
 - See Product Spec ; 65-12-446
 NOTE-21: 4 SQUARE REFERENCE PADS
 NOTE-22: NO PASTE ALLOWED ON 4 REFERENCE PADS
 NOTE-23: PRODUCT REAR SUPPORT LOCATION
 NOTE-24: RECOMMENDED PASTE THICKNESS = 0.15

RECOMMENDED STENCIL LAYOUT



European Views

| | | | | |
|---------------------------------------|--------|--|-----------------------------------|------------------|
| www.fciconnect.com | | surface ISO 1302 ✓ | tolerance std ISO 406 ISO 1101 | projection mm |
| TOLERANCES UNLESS OTHERWISE SPECIFIED | | | | |
| Dr | VERITE | 2007/06/12 | ANGULAR | 0.X ±0.1 |
| Eng | VERITE | 2007/06/12 | LINEAR | 0.XX ±0.1 |
| Chr | LEGARE | 2007/06/12 | 0.XX' ±2' | 0.XXX ±0.1 |
| Appr | LEGARE | 2007/06/12 | Product family | METRAL |
| | | | size | A3 |
| | | | Scale | 5 |
| | | | ECN | LS07-0163 |
| | | | Spec ref | - |
| | | title METRAL RA HDR PIP CONVERG WB 5x6- without HDF | | Rev. A |
| catalog no - | | dwg no C-8626-11320-3 | | sheet 3 of 3 |



Copyright FCI.