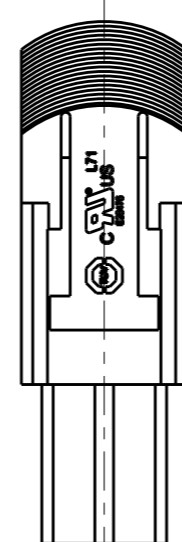
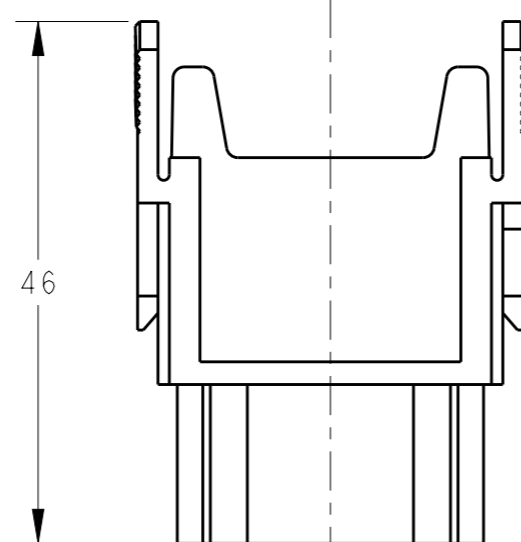
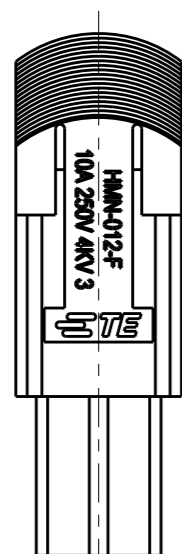
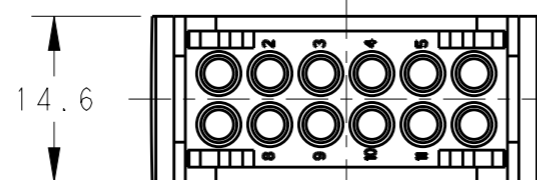
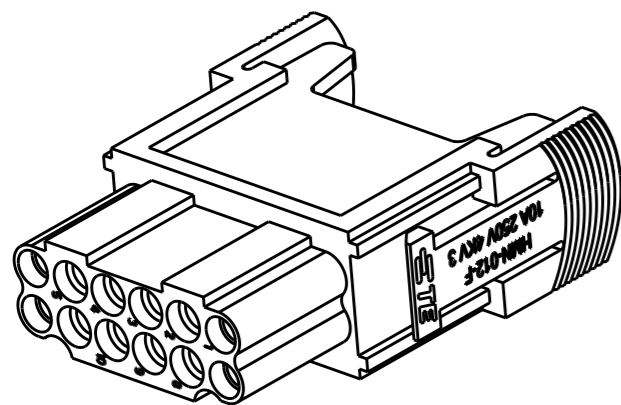


THIS DRAWING IS UNPUBLISHED. RELEASED FOR PUBLICATION 20
 © COPYRIGHT 20 BY - ALL RIGHTS RESERVED.

REVISIONS

P	LTR	DESCRIPTION	DATE	DWN	APVD
	A	INITIAL	14APR2015	DW	CW
	B	ECR-15-018270	09DEC2015	DW	CW
	B1	ECR-16-006849	13MAY2016	RL	CW



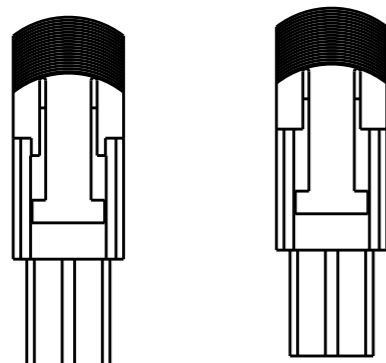
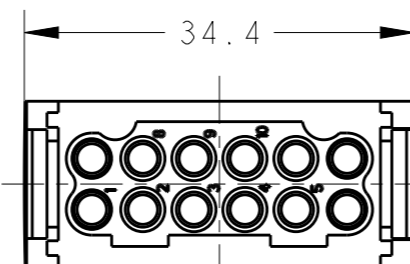
NOTES:

- TECHNICAL CHARACTERISTICS:
 INSULATION MATERIAL: PC
 RATED VOLTAGE: 250V
 RATED CURRENT: 10A
 INSULATION RESISTANCE: $\geq 400M\Omega$
 RATED IMPULSE VOLTAGE: 4KV
 POLLUTION DEGREE: 3
 FLAMMABILITY: UL94V-0
 MATING CYCLES: 500 CYCLES
 OPERATION TEMPERATURE: $-40\sim+125^{\circ}C$
 WIRE RANGE: $0.14\sim 2.5\text{ mm}^2$ (26~14 AWG)
 CONTACT TYPE: CRIMP CONTACT
- CONTACT NEED TO BE ORDERED SEPARATELY.
 (ORDER No. REFER TO DRAWING: T20200X20XX000)

注释:

- 技术参数:
 绝缘材料: PC
 额定电压: 250V
 额定电流: 10A
 绝缘电阻: $\geq 400M\Omega$
 额定脉冲电压: 4KV
 污染等级: 3
 阻燃等级: UL94V-0
 插拔次数: 500次
 工作温度: $-40\sim+125^{\circ}C$
 接线范围: $0.14\sim 2.5\text{ mm}^2$ (26~14 AWG)
 接线类型: 冷压接
- 端子需要单独订购.
 (订货号参考图面: T20200X20XX000)

T2111122201-000 SHOWN,
 带 LOGO, 产品型号, 认证标示



T2111122201-001 SHOWN, ALL DIMENSIONS ARE
 SAME AS T2111122201-000, EXCEPT WITHOUT LOGO,
 TYPE DESCRIPTION, TUV AND CUL MARK
 不带 LOGO, 产品型号和认证标示

T2111122201-001	HMN-012-F WITHOUT LOGO HMN-012模块母插 不带LOGO, 产品型号和认证标示
T2111122201-000	HMN-012-F WITH LOGO HMN-012模块母插
PART NUMBER 料号	PART DESCRIPTION 描述

DIMENSIONS:		TOLERANCES UNLESS OTHERWISE SPECIFIED:		DWN 14APR2015		TE Connectivity				
mm		0 PLC	±-	David Wang	CHK	14APR2015	NAME HMN-012-F			
		1 PLC	±-	Chris Wang	APVD	14APR2015				
		2 PLC	±-	Xiang Xu	PRODUCT SPEC	108-137121				
		3 PLC	±-		APPLICATION SPEC	114-137121				
		4 PLC	±-		WEIGHT	-	SIZE	CAGE CODE	DRAWING NO	RESTRICTED TO
		ANGLES	±-				A3	00779	©-T2111122201000	-
MATERIAL		FINISH					SCALE 1:1		SHEET 1 OF 1	REV B1
							Customer Drawing			