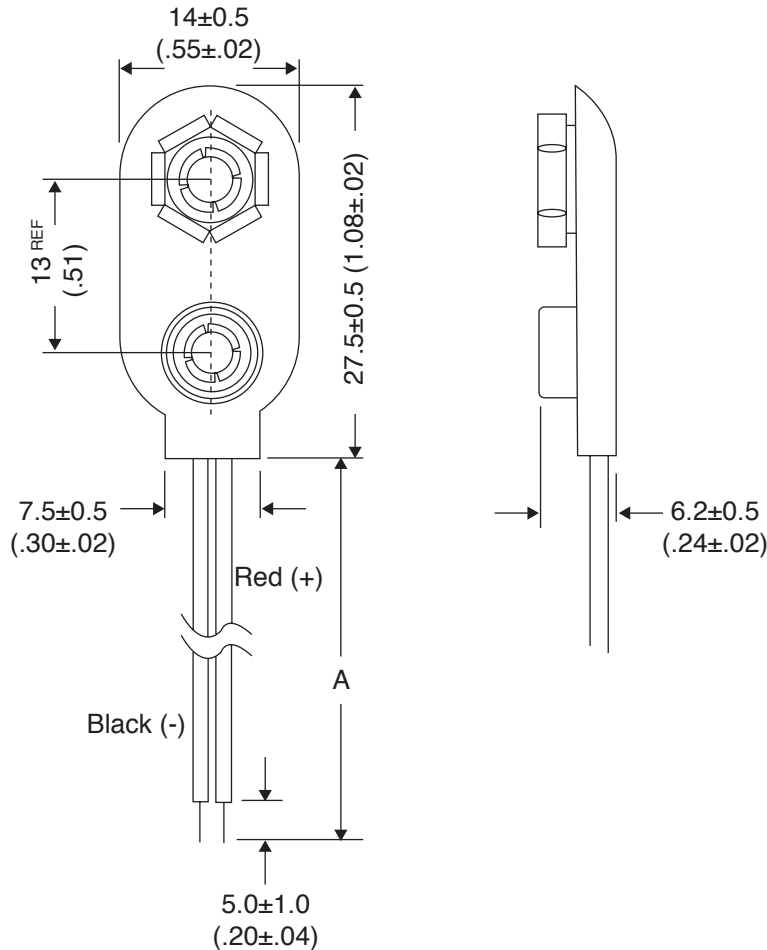


# "I" Type Battery Snaps

121-0426/I-GR, 121-0526/I-GR, 121-0626/I-GR, 121-0826/I-GR,  
 121-1026/I-GR, 121-1226/I-GR, 121-0424/I-GR, 121-0624/I-GR,  
 121-0422/I-GR, 121-0622/I-GR, 121-1022/I-GR

Date Last Revised: 10-24-06



Dimensions: mm (in.)

Part No.	A
121-0426/I-GR	"I" 4" 26AWG
121-0526/I-GR	"I" 5" 26AWG
121-0626/I-GR	"I" 6" 26AWG
121-0826/I-GR	"I" 8" 26AWG
121-1026/I-GR	"I" 10" 26AWG
121-1226/I-GR	"I" 12" 26AWG
121-0424/I-GR	"I" 4" 24AWG
121-0624/I-GR	"I" 6" 24AWG
121-0422/I-GR	"I" 4" 22AWG
121-0622/I-GR	"I" 6" 22AWG
121-1022/I-GR	"I" 10" 22AWG

SPECIFICATIONS	
Material:	P.V.C. Cover, Black Color
6 Prong Snap Terminal:	Brass Nickel Plated
Wire:	Black and Red, Strip & Tin
RoHS Compliant	

Available from Mouser Electronics  
 1-800-346-6873  
 www.mouser.com

EPD-200455