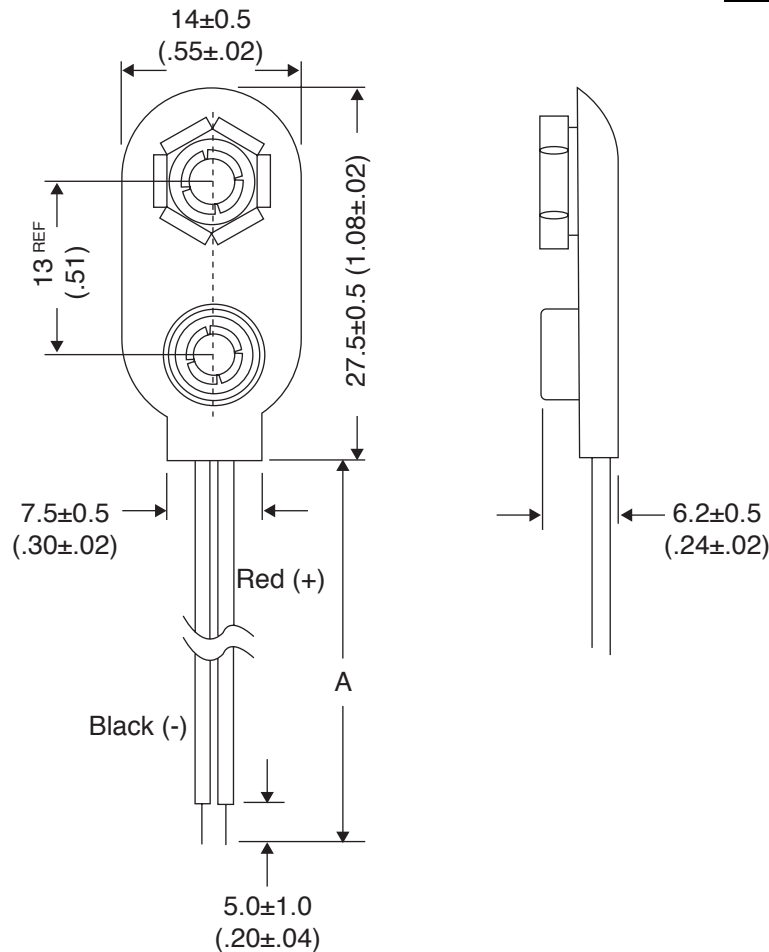


# "I" Type Battery Snaps

121-0426/I-GR, 121-0526/I-GR, 121-0626/I-GR, 121-0826/I-GR,  
121-1026/I-GR, 121-1226/I-GR, 121-0424/I-GR, 121-0624/I-GR,  
121-0422/I-GR, 121-0622/I-GR, 121-1022/I-GR

**Date Last Revised: 10-24-06**



**Dimensions: mm (in.)**

Part No.	A
121-0426/I-GR	"I" 4" 26AWG
121-0526/I-GR	"I" 5" 26AWG
121-0626/I-GR	"I" 6" 26AWG
121-0826/I-GR	"I" 8" 26AWG
121-1026/I-GR	"I" 10" 26AWG
121-1226/I-GR	"I" 12" 26AWG
121-0424/I-GR	"I" 4" 24AWG
121-0624/I-GR	"I" 6" 24AWG
121-0422/I-GR	"I" 4" 22AWG
121-0622/I-GR	"I" 6" 22AWG
121-1022/I-GR	"I" 10" 22AWG

SPECIFICATIONS	
<b>Material:</b>	P.V.C. Cover, Black Color
<b>6 Prong Snap Terminal:</b>	Brass Nickel Plated
<b>Wire:</b>	Black and Red, Strip & Tin
<b>RoHS Compliant</b>	

**Available from Mouser Electronics**  
**1-800-346-6873**  
**www.mouser.com**

EPD-200455